

Equipment information crawler excavators

R 922 - R 976

Litronic®

Litronic®

Multi-User

Generation

7 and 5

Engine

110 – 400 kW / 150 – 544 HP
Stage IIIA

Operating weight

25,050 – 97,800 kg

Maximum reach

15.5 – 23.6 m



LIEBHERR

Applications



	Engine output	Operating weight
R 922 G5	110 kW / 150 HP	25,050 – 26,050 kg
R 926 G7	150 kW / 204 HP	31,000 – 31,850 kg
R 930 G7	180 kW / 245 HP	33,600 – 34,650 kg
R 938 G7	220 kW / 299 HP	41,300 – 42,400 kg
R 945 G7	220 kW / 299 HP	45,200 – 49,700 kg
R 956 G5	240 kW / 326 HP	59,850 – 61,950 kg
R 976 G5	400 kW / 544 HP	90,000 – 97,800 kg



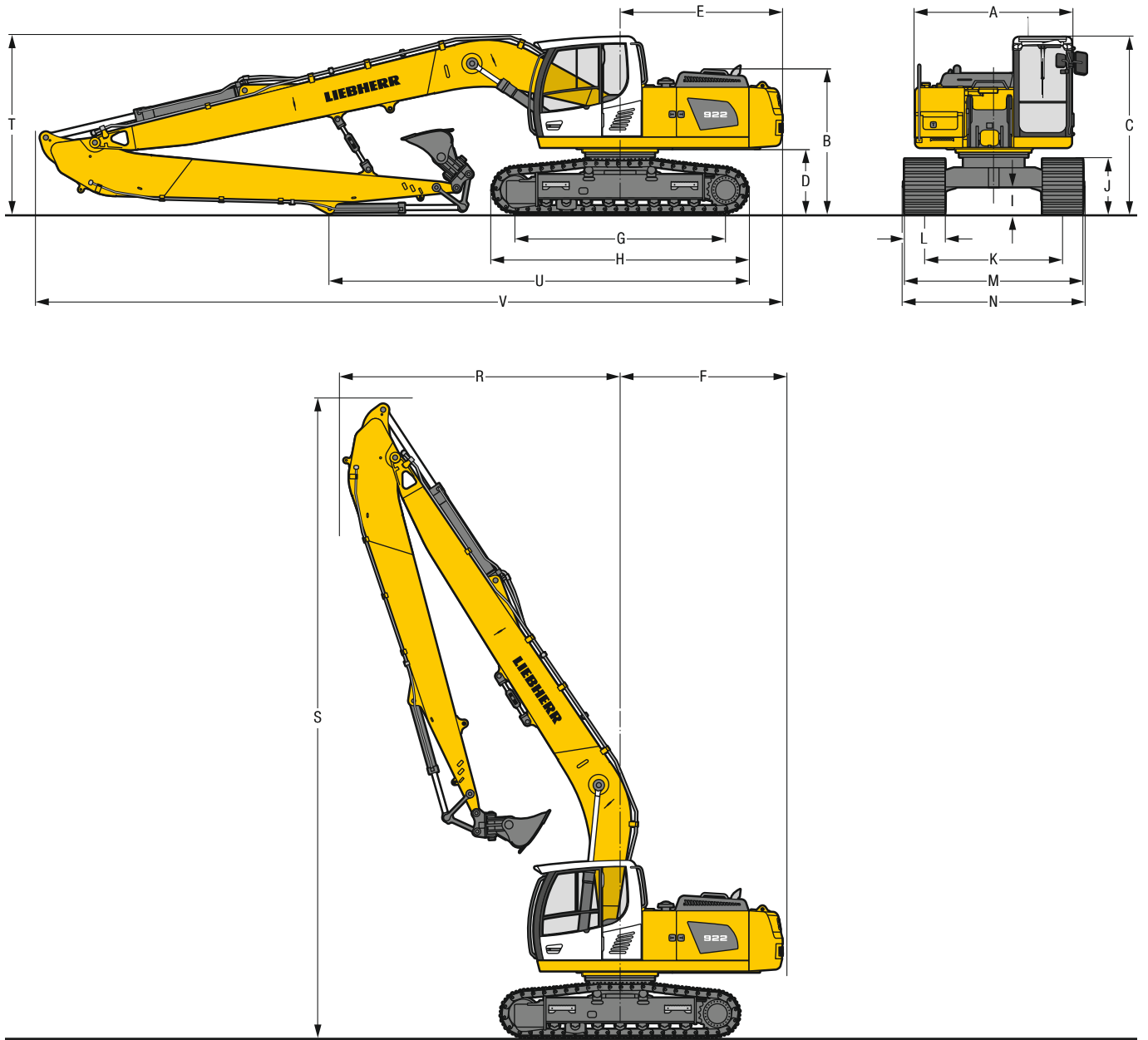
Maximum reach
15.5 m
18.1 m
18.1 m
19.5 m
19.5 m
23.6 m
23.3 m

Multi-User

- For long reach excavation
- Universal design for long reach excavation or ditch cleaning
- Designed and manufactured by Liebherr

Dimensions

R 922



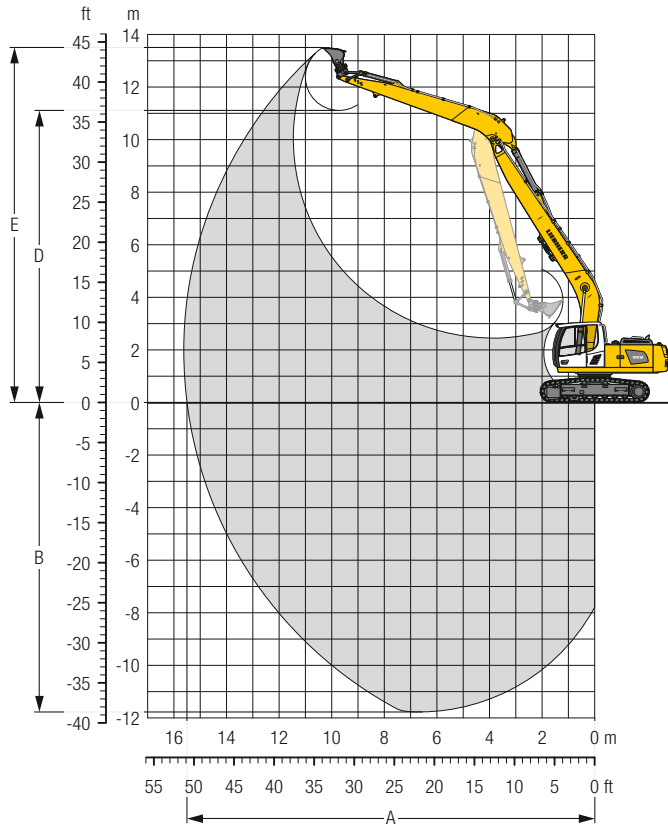
		LC				mm
A	Uppercarriage width					2,700
B	Uppercarriage height					2,490
C	Cab height					3,060
D	Counterweight ground clearance					1,125
E	Rear-end length					2,820
F	Tail swing radius					2,820
G	Wheelbase					3,640
H	Undercarriage length					4,440
I	Undercarriage ground clearance					465
J	Track height					960
K	Track gauge					2,380
L	Track pad width		600	700	800	900
M	Width over tracks		2,980	3,080	3,180	3,280
N	Width over steps		2,920	3,120*	3,120*	3,220*

* width with removable steps

		Stick length m	Mono boom 8.90 m direct mounting mm
R	Front swing radius	6.30	4,850
S	Height with boom up	6.30	11,050
T	Boom height	6.30	3,100
U	Length on ground	6.30	7,250
V	Overall length	6.30	12,900
	Bucket		0.50 m ³

Multi-User equipment with mono boom 8.90 m

R 922



Digging envelope

Stick length	m	6.30
A Max. reach at ground level	m	15.51
B Max. digging depth	m	11.77
D Max. dumping height	m	11.11
E Max. cutting height	m	13.49

Forces

Stick digging force (ISO 6015)	kN	58
Bucket digging force (ISO 6015)	kN	99
Stick digging force (SAE J1179)	kN	57
Bucket digging force (SAE J1179)	kN	89

Operating weight and ground pressure

The operating weight includes the basic machine with counterweight 5.7 t, mono boom 8.90 m, stick 6.30 m and bucket 0.50 m³ (375 kg).

Undercarriage		LC			
		600	700	800	900
Pad width	mm	600	700	800	900
Weight	kg	25,050	25,350	25,600	26,050
Ground pressure	kg/cm ²	0.53	0.46	0.41	0.37

Stick 6.30 m

Under-carriage m	3.0 m		4.5 m		6.0 m		7.5 m		9.0 m		10.5 m		12.0 m		13.5 m		Max. reach		m			
	LC	Height	LC	Height	LC	Height	LC	Height	LC	Height	LC	Height	LC	Height	LC	Height	LC	Height				
12.0																			1.7*	1.7*	10.1	
10.5												2.1*	2.1*						1.6*	1.6*	11.4	
9.0												2.2*	2.2*	1.9*	1.9*				1.5*	1.5*	12.4	
7.5												2.3*	2.3*	2.1	2.2*				1.5*	1.5*	13.2	
6.0												2.6*	2.6*	2.4*	2.4*	2.0	2.3*	1.6	1.8*	1.5	1.5*	13.7
4.5							3.2*	3.2*				2.9*	2.9*	2.5	2.6*	1.9	2.4*	1.5	2.2*	1.4	1.6*	14.1
3.0				6.5*	6.5*	4.7*	4.7*	3.8*	3.8*	3.0	3.2*	2.3	2.9*	1.8	2.6*	1.5	2.3	1.3	1.6*	1.3	1.6*	14.3
1.5				6.2*	6.2*	4.9	5.6*	3.6	4.3*	2.8	3.6*	2.2	3.1*	1.7	2.8*	1.4	2.3	1.2	1.7*	1.2	1.7*	14.3
0	2.0*	2.0*		4.7*	4.7*	4.4	6.3*	3.3	4.8*	2.6	3.9*	2.0	3.3	1.7	2.7	1.3	2.2	1.2	1.9*	1.2	1.9*	14.2
-1.5	2.8*	2.8*		4.9*	4.9*	4.2	6.7*	3.1	5.1	2.4	3.9	1.9	3.2	1.6	2.6	1.3	2.2	1.2	2.1*	1.2	2.1*	13.9
-3.0	3.8*	3.8*		5.6*	5.6*	4.0	6.8*	3.0	4.9	2.3	3.8	1.9	3.1	1.5	2.5			1.3	2.2	1.3	2.2	13.5
-4.5	4.9*	4.9*		6.2	6.7*	4.0	6.7*	2.9	4.9	2.3	3.8	1.8	3.0	1.5	2.5					1.4	2.3	12.8
-6.0	6.1*	6.1*		6.3	8.2*	4.1	6.5*	3.0	4.9	2.3	3.8	1.9	3.1							1.6	2.6	11.9
-7.5	7.6*	7.6*		6.5	7.7*	4.2	5.9*	3.0	4.7*	2.4	3.9	1.9	3.1							1.9	3.0*	10.8
-9.0	8.8*	8.8*		6.5*	6.5*	4.4	5.1*	3.2	4.1*	2.5	3.2*									2.4	3.1*	9.2

Height
 Can be slewed through 360°
 In longitudinal position of undercarriage
 Max. reach
 * **Limited by hydr. capacity**

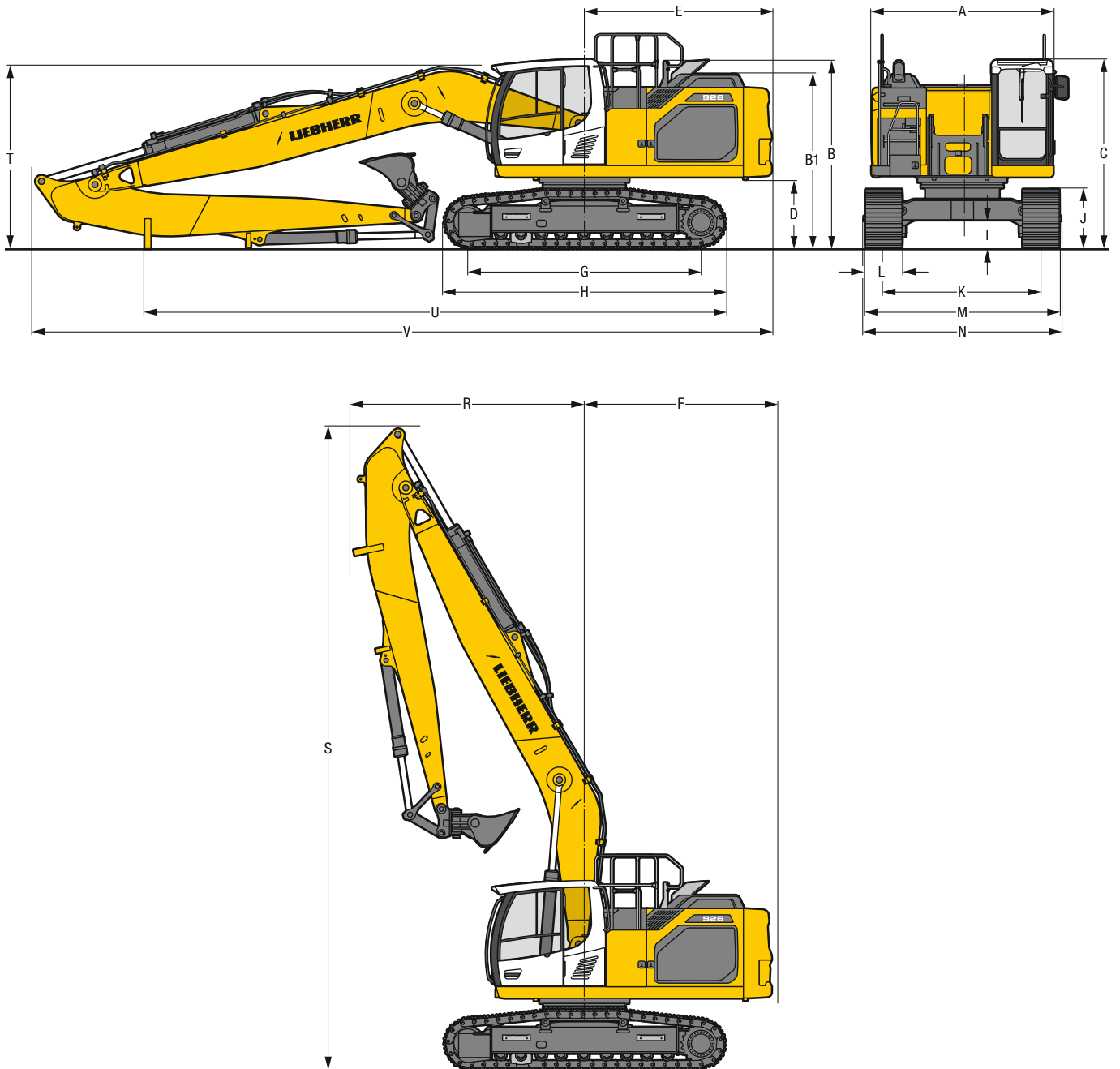
The load values are quoted in tons (t) at stick end (without bucket), and may be swung 360° on firm and even ground. Adjacent values are valid for the undercarriage when in the longitudinal position. Capacities are valid for 600 mm wide track pads. Indicated loads are based on ISO 10567 standard and do not exceed 75 % of tipping or 87 % of hydraulic capacity (indicated via *). Without bucket cylinder, link and lever the lift capacities will increase by 208 kg. Lifting capacity of the excavator is limited by machine stability and hydraulic capacity.

According to European Standard, EN 474-5: In the European Union excavators have to be equipped with an overload warning device, a load diagram and automatic safety check valves on hoist cylinders and stick cylinder(s), when they are used for lifting operations which require the use of lifting accessories.

Determine maximum load lift from load lift chart displayed in the operator's cab or from load lift chart detailed in the operator's manual supplied with the machine.

Dimensions

R 926



		LC						mm
A	Upper-carriage width						2,990**	
B	Upper-carriage height						3,510	
B1	Upper-carriage height (handrails folded)						3,075	
C	Cab height						3,090	
D	Counterweight ground clearance						1,115	
E	Rear-end length						3,075	
F	Tail swing radius						3,200	
G	Wheelbase						3,830	
H	Undercarriage length						4,625	
I	Undercarriage ground clearance						495	
J	Track height						965	
K	Track gauge						2,590	
L	Track pad width		500	600	700	750	800	900
M	Width over tracks		3,090	3,190	3,290	3,340	3,390	3,490
N	Width over steps		3,125	3,125	3,325*	3,325*	3,325*	3,425*

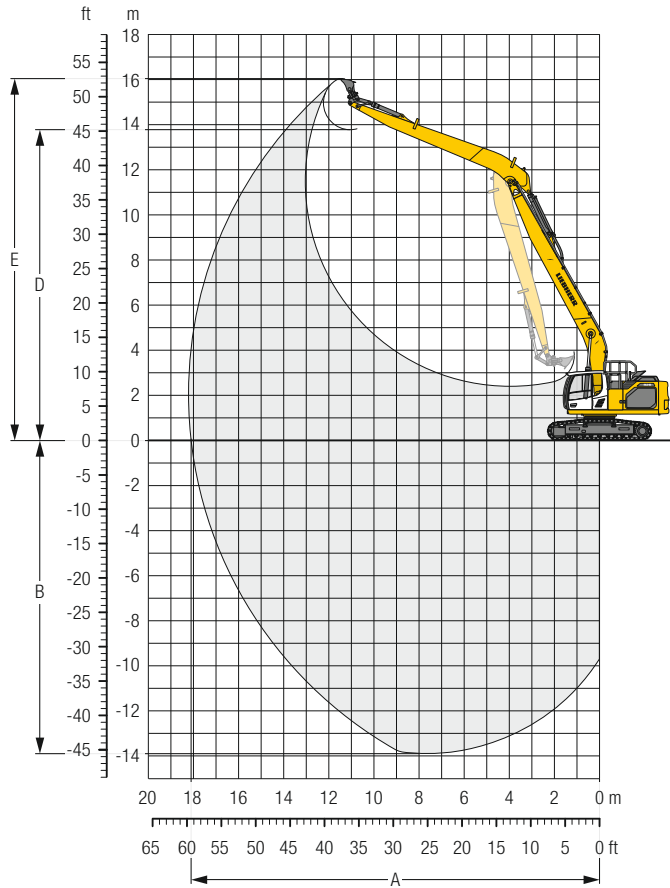
* width with removable steps

** without door stop device and spacer

		Stick length m	Mono boom 10.20 m direct mounting mm
R	Front swing radius	7.90	5,000
S	Height with boom up	7.90	12,550
T	Boom height	7.90	3,100
U	Length on ground	7.90	12,450
V	Overall length	7.90	14,400
	Bucket		0.50 m ³

Multi-User equipment with mono boom 10.20 m

R 926



Digging envelope

Stick length	m	7.90
A Max. reach at ground level	m	18.11
B Max. digging depth	m	13.89
D Max. dumping height	m	13.78
E Max. cutting height	m	16.05

Forces

Stick digging force (ISO 6015)	kN	68
Bucket digging force (ISO 6015)	kN	137
Stick digging force (SAE J1179)	kN	67
Bucket digging force (SAE J1179)	kN	119

Operating weight and ground pressure

The operating weight includes the basic machine with counterweight 7.5 t, mono boom 10.20 m, stick 7.90 m and bucket 0.50 m³ (410 kg).

Undercarriage		LC			
		600	700	800	900
Pad width	mm	600	700	800	900
Weight	kg	31,000	31,300	31,550	31,850
Ground pressure	kg/cm ²	0.63	0.54	0.48	0.43

Stick 7.90 m

Under-carriage m	3.0 m		4.5 m		6.0 m		7.5 m		9.0 m		10.5 m		12.0 m		13.5 m		15.0 m		16.5 m		m			
	LC	Height	LC	Height	LC	Height	LC	Height	LC	Height	LC	Height	LC	Height	LC	Height	LC	Height	LC	Height				
13.5														1.9*	1.9*						1.5*	1.5*	12.6	
12.0														2.4*	2.4*	1.6*	1.6*					1.4*	1.4*	13.8
10.5														2.6*	2.6*	2.2*	2.2*					1.4*	1.4*	14.8
9.0														2.9*	2.9*	2.4	2.5*	1.8*	1.8*			1.3*	1.3*	15.5
7.5														3.0	3.1*	2.3	2.8*	1.8	2.2*			1.3*	1.3*	16.1
6.0												3.6*	3.6*	2.8	3.4*	2.2	3.2*			1.3	1.4*	1.3	1.4*	16.6
4.5									4.5	4.5*	3.4	4.0*	2.7	3.6*	2.1	3.2	1.6	2.6	1.3	1.8*	1.2	1.4*	16.9	
3.0	5.7*	5.7*	10.2*	10.2*	7.4*	7.4*	5.4	5.9*	4.1	4.9*	3.1	4.3*	2.5	3.7	1.9	3.0	1.5	2.5	1.2	2.0	1.1	1.4*	17.0	
1.5	2.3*	2.3*	7.6*	7.6*	6.5	8.4*	4.8	6.5*	3.6	5.3*	2.8	4.3	2.3	3.5	1.8	2.9	1.4	2.4	1.1	1.9	1.0	1.5*	17.0	
0	2.5*	2.5*	5.4*	5.4*	5.7	9.0*	4.2	6.7	3.3	5.1	2.6	4.1	2.1	3.3	1.7	2.7	1.3	2.3	1.1	1.9	1.0	1.6*	16.9	
- 1.5	3.2*	3.2*	5.3*	5.3*	5.1	8.6	3.8	6.2	3.0	4.8	2.4	3.8	1.9	3.1	1.6	2.6	1.3	2.2	1.0	1.8	1.0	1.8*	16.7	
- 3.0	4.0*	4.0*	5.8*	5.8*	4.9	8.3	3.6	6.0	2.8	4.6	2.2	3.7	1.8	3.0	1.5	2.5	1.2	2.1			1.0	1.9	16.3	
- 4.5	5.0*	5.0*	6.7*	6.7*	4.8	8.2	3.5	5.8	2.7	4.5	2.1	3.6	1.7	2.9	1.4	2.5	1.2	2.1			1.1	2.0	15.7	
- 6.0	6.0*	6.0*	7.5	7.8*	4.8	8.2	3.4	5.8	2.6	4.4	2.1	3.5	1.7	2.9	1.4	2.4	1.2	2.1			1.2	2.1	15.0	
- 7.5	7.2*	7.2*	7.7	9.1*	4.9	7.7*	3.5	5.8	2.6	4.4	2.1	3.5	1.7	2.9	1.4	2.5					1.4	2.4	14.1	
- 9.0	8.6*	8.6*	8.0	8.2*	5.1	6.7*	3.6	5.5*	2.7	4.5	2.2	3.6	1.8	3.0							1.6	2.7*	12.9	
-10.5	7.8*	7.8*	6.3*	6.3*	5.3*	5.3*	3.8	4.5*	2.9	3.7*	2.3	3.0*									2.1	2.5*	11.5	
-12.0			3.9*	3.9*	3.5*	3.5*	2.9*	2.9*	2.3*	2.3*											2.0*	2.0*	9.6	

Height
 Can be slewed through 360°
 In longitudinal position of undercarriage
 Max. reach
 * **Limited by hydr. capacity**

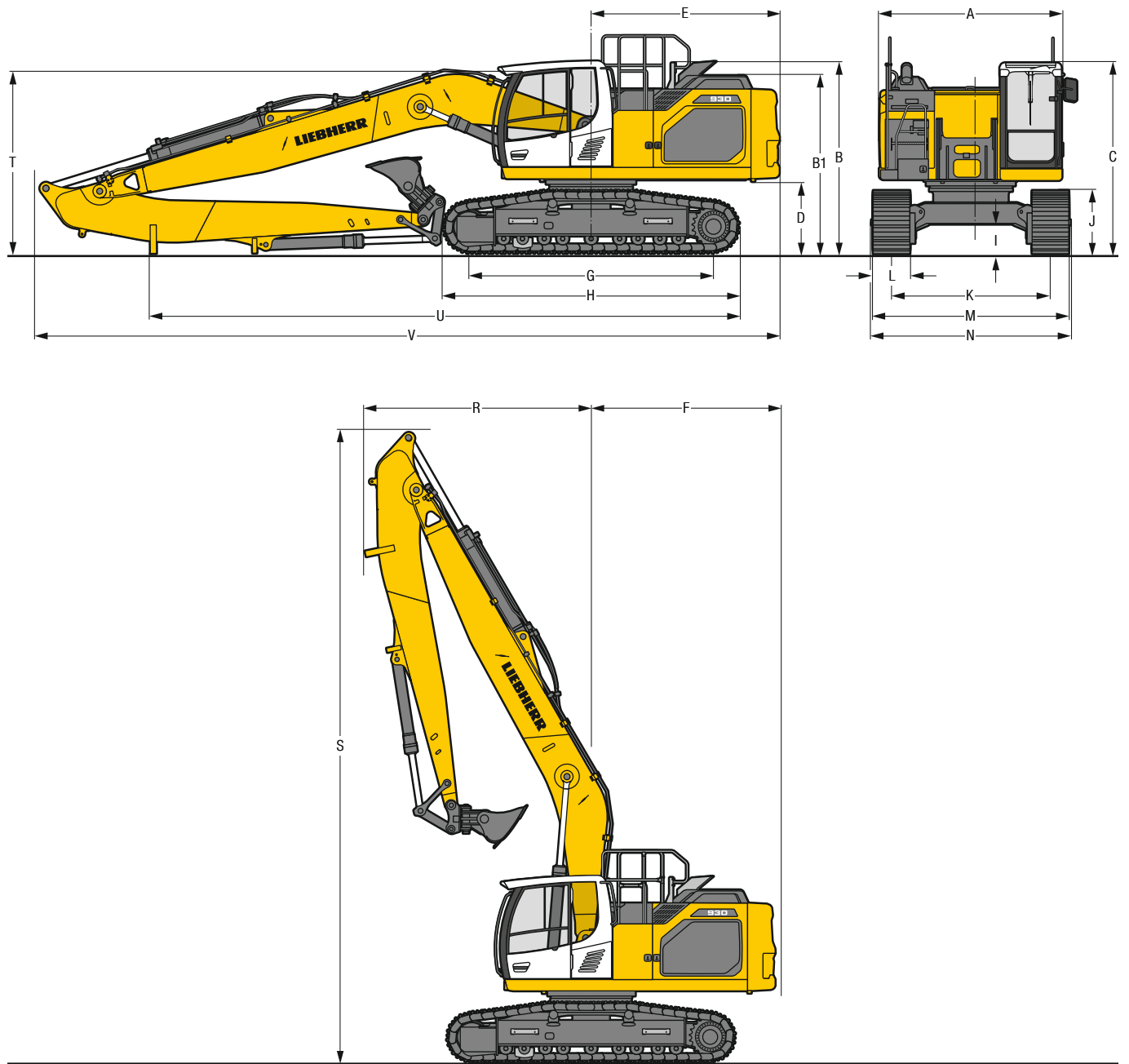
The load values are quoted in tons (t) at stick end (without bucket), and may be swung 360° on firm and even ground. Adjacent values are valid for the undercarriage when in the longitudinal position. Capacities are valid for 600 mm wide track pads. Indicated loads are based on ISO 10567 standard and do not exceed 75% of tipping or 87% of hydraulic capacity (indicated via *). Without bucket cylinder, link and lever the lift capacities will increase by 265 kg. Lifting capacity of the excavator is limited by machine stability and hydraulic capacity.

According to European Standard, EN 474-5: In the European Union excavators have to be equipped with an overload warning device, a load diagram and automatic safety check valves on hoist cylinders and stick cylinder(s), when they are used for lifting operations which require the use of lifting accessories.

Determine maximum load lift from load lift chart displayed in the operator's cab or from load lift chart detailed in the operator's manual supplied with the machine.

Dimensions

R 930



		LC						mm
A	Upper-carriage width							2,990**
B	Upper-carriage height							3,570
B1	Upper-carriage height (handrails folded)							3,130
C	Cab height							3,150
D	Counterweight ground clearance							1,115
E	Rear-end length							3,075
F	Tail swing radius							3,200
G	Wheelbase							3,990
H	Undercarriage length							4,840
I	Undercarriage ground clearance							505
J	Track height							1,055
K	Track gauge							2,590
L	Track pad width		500	600	700	750	800	900
M	Width over tracks		3,090	3,190	3,290	3,340	3,390	3,490
N	Width over steps		3,190	3,190	3,190	3,390*	3,390*	3,390*

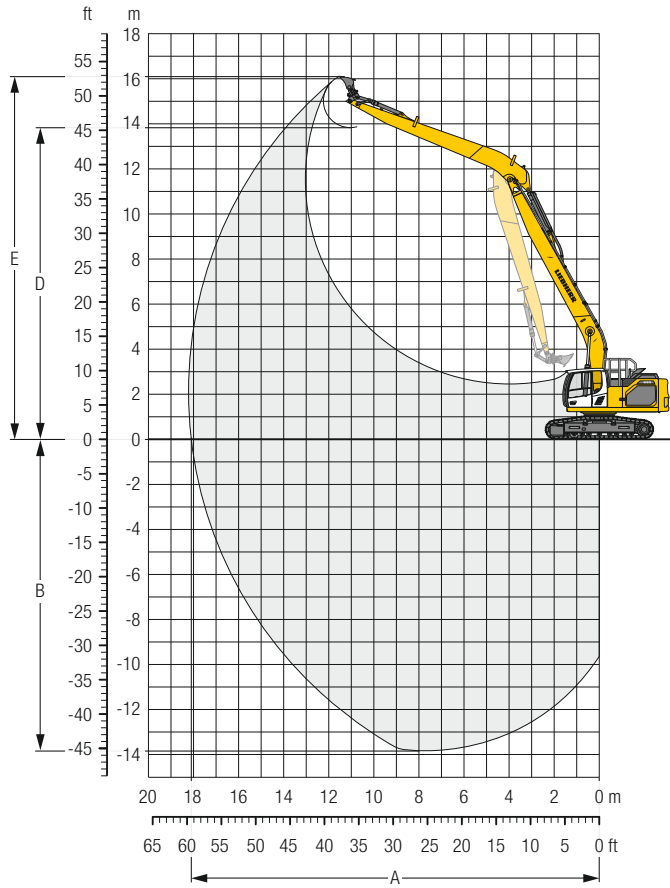
* width with removable steps

** without door stop device and spacer

		Stick length m	Mono boom 10.20 m direct mounting mm
R	Front swing radius	7.90	5,000
S	Height with boom up	7.90	12,600
T	Boom height	7.90	3,100
U	Length on ground	7.90	12,500
V	Overall length	7.90	14,400
	Bucket		0.60 m ³

Multi-User equipment with mono boom 10.20 m

R 930



Digging envelope

Stick length	m	7.90
A Max. reach at ground level	m	18.10
B Max. digging depth	m	13.84
D Max. dumping height	m	13.83
E Max. cutting height	m	16.10

Forces

Stick digging force (ISO 6015)	kN	68
Bucket digging force (ISO 6015)	kN	137
Stick digging force (SAE J1179)	kN	67
Bucket digging force (SAE J1179)	kN	119

Operating weight and ground pressure

The operating weight includes the basic machine with counterweight 7.5 t, mono boom 10.20 m, stick 7.90 m and bucket 0.60 m³ (520 kg).

Undercarriage		LC			
		600	700	800	900
Pad width	mm	600	700	800	900
Weight	kg	33,600	33,950	34,300	34,650
Ground pressure	kg/cm ²	0.65	0.57	0.50	0.45

Stick 7.90 m

Under-carriage m	3.0 m		4.5 m		6.0 m		7.5 m		9.0 m		10.5 m		12.0 m		13.5 m		15.0 m		16.5 m		m			
	LC	LC	LC	LC	LC	LC	LC	LC	LC	LC	LC	LC	LC	LC	LC	LC	LC	LC	LC	LC				
15.0																					1.6*	1.6*	11.1	
13.5														1.9*	1.9*							1.5*	1.5*	12.6
12.0														2.4*	2.4*	1.7*	1.7*					1.4*	1.4*	13.8
10.5														2.6*	2.6*	2.2*	2.2*					1.4*	1.4*	14.8
9.0														2.9*	2.9*	2.6*	2.6*	1.8*	1.8*			1.3*	1.3*	15.6
7.5														3.1*	3.1*	2.5	2.9*	2.0	2.3*			1.3*	1.3*	16.1
6.0														3.7*	3.7*	3.1	3.4*	2.4	3.2*	1.9	2.6*	1.4*	1.4*	16.6
4.5														4.5*	4.5*	3.7	4.0*	2.9	3.6*	2.3	3.3*	1.8	2.9	16.9
3.0	5.3*	5.3*	10.3*	10.3*	7.5*	7.5*	5.8	5.9*	4.4	5.0*	3.4	4.3*	2.7	3.8*	2.1	3.4*	1.7	2.8	1.4	1.8*	1.3	1.4*	17.0	
1.5	2.2*	2.2*	7.4*	7.4*	7.0	8.4*	5.2	6.5*	4.0	5.3*	3.1	4.5*	2.5	4.0*	2.0	3.3	1.6	2.7	1.3	2.2*	1.2	1.5*	17.0	
0	2.5*	2.5*	5.3*	5.3*	6.2	9.1*	4.6	7.0*	3.6	5.7*	2.9	4.7	2.3	3.8	1.9	3.2	1.5	2.6	1.2	2.2	1.2	1.6*	16.9	
- 1.5	3.2*	3.2*	5.3*	5.3*	5.7	9.3*	4.2	7.2	3.3	5.5	2.6	4.4	2.1	3.6	1.8	3.0	1.4	2.6	1.2	2.0*	1.2	1.8*	16.6	
- 3.0	4.1*	4.1*	5.8*	5.8*	5.4	9.3*	4.0	6.9	3.1	5.3	2.5	4.3	2.0	3.5	1.7	2.9	1.4	2.5			1.2	2.0*	16.2	
- 4.5	5.0*	5.0*	6.7*	6.7*	5.3	9.0*	3.9	6.8	3.0	5.2	2.4	4.2	2.0	3.4	1.6	2.9	1.4	2.5			1.3	2.2*	15.7	
- 6.0	6.1*	6.1*	7.8*	7.8*	5.3	8.5*	3.8	6.7	2.9	5.1	2.4	4.1	1.9	3.4	1.6	2.9					1.4	2.5	15.0	
- 7.5	7.3*	7.3*	8.6	9.2*	5.4	7.7*	3.9	6.3*	3.0	5.2	2.4	4.1	1.9	3.4	1.6	2.9					1.6	2.8*	14.1	
- 9.0	8.6*	8.6*	8.2*	8.2*	5.6	6.6*	4.0	5.5*	3.1	4.6*	2.4	3.8*	2.0	3.1*							1.9	2.7*	12.9	
-10.5	7.6*	7.6*	6.3*	6.3*	5.3*	5.3*	4.2	4.4*	3.2	3.7*	2.6	2.9*									2.3	2.5*	11.4	
-12.0			3.4*	3.4*	2.8*	2.8*	2.2*	2.2*													2.0*	2.0*	9.5	

Height **Can be slewed through 360°** **In longitudinal position of undercarriage** **Max. reach** * **Limited by hydr. capacity**

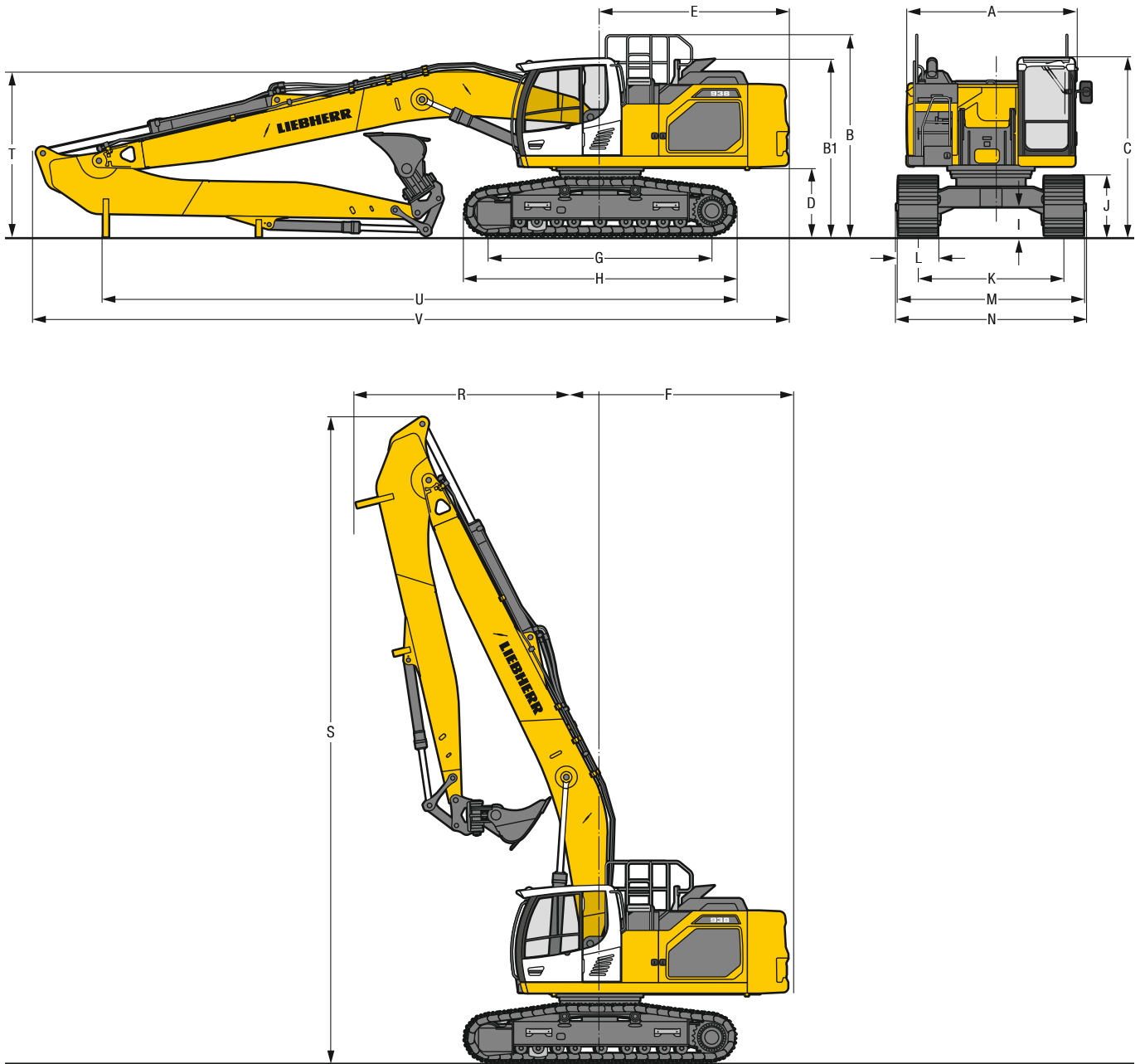
The load values are quoted in tons (t) at stick end (without bucket), and may be swung 360° on firm and even ground. Adjacent values are valid for the undercarriage when in the longitudinal position. Capacities are valid for 600 mm wide track pads. Indicated loads are based on ISO 10567 standard and do not exceed 75 % of tipping or 87 % of hydraulic capacity (indicated via *). Without bucket cylinder, link and lever the lift capacities will increase by 265 kg. Lifting capacity of the excavator is limited by machine stability and hydraulic capacity.

According to European Standard, EN 474-5: In the European Union excavators have to be equipped with an overload warning device, a load diagram and automatic safety check valves on hoist cylinders and stick cylinder(s), when they are used for lifting operations which require the use of lifting accessories.

Determine maximum load lift from load lift chart displayed in the operator's cab or from load lift chart detailed in the operator's manual supplied with the machine.

Dimensions

R 938



		LC				mm
A	Upper-carriage width					2,990**
B	Upper-carriage height					3,570
B1	Upper-carriage height (handrails folded)					3,130
C	Cab height					3,150
D	Counterweight ground clearance					1,175
E	Rear-end length					3,350
F	Tail swing radius					3,450
G	Wheelbase					3,990
H	Undercarriage length					4,840
I	Undercarriage ground clearance					495
J	Track height					1,055
K	Track gauge					2,590
L	Track pad width		600	700	800	900
M	Width over tracks		3,190	3,290	3,390	3,490
N	Width over steps		3,190	3,190	3,390*	3,390*

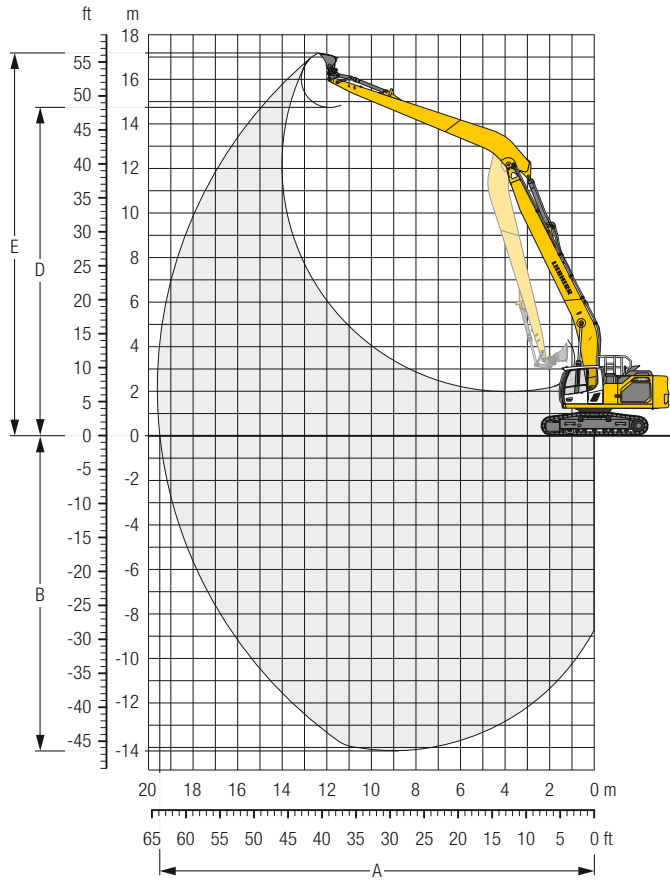
* width with removable steps

** without door stop device and spacer

		Stick length m	Mono boom 10.70 m direct mounting mm
R	Front swing radius	8.90	4,900
S	Height with boom up	8.90	13,350
T	Boom height	8.90	3,300
U	Length on ground	8.90	7,250
V	Overall length	8.90	15,400
	Bucket		0.55 m ³

Multi-User equipment with mono boom 10.70 m

R 938



Digging envelope

Stick length	m	8.90
A Max. reach at ground level	m	19.50
B Max. digging depth	m	14.13
D Max. dumping height	m	14.74
E Max. cutting height	m	17.18

Forces

Stick digging force (ISO 6015)	kN	83
Bucket digging force (ISO 6015)	kN	173
Stick digging force (SAE J1179)	kN	81
Bucket digging force (SAE J1179)	kN	151

Operating weight and ground pressure

The operating weight includes the basic machine with counterweight 11.8 t, mono boom 10.70 m, stick 8.90 m and bucket 0.55 m³ (580 kg).

Undercarriage		LC			
		600	700	800	900
Pad width	mm	600	700	800	900
Weight	kg	41,300	41,600	42,000	42,400
Ground pressure	kg/cm ²	0.80	0.69	0.61	0.55

Stick 8.90 m

Under-carriage m	3.0 m		4.5 m		6.0 m		7.5 m		9.0 m		10.5 m		12.0 m		13.5 m		15.0 m		16.5 m		18.0 m		m								
15.0																							1.9*	1.9*	13.0						
13.5																	2.4*	2.4*							1.8*	1.8*	14.3				
12.0																	2.8*	2.8*	2.1*	2.1*							1.7*	1.7*	15.4		
10.5																	3.1*	3.1*	2.6*	2.6*							1.7*	1.7*	16.3		
9.0																	3.4*	3.4*	3.0*	3.0*	2.1*	2.1*					1.7*	1.7*	17.0		
7.5																	3.8*	3.8*	3.5*	3.5*	2.9	3.2*	2.3	2.6*			1.7*	1.7*	17.5		
6.0																	4.3*	4.3*	3.9*	3.9*	3.5	3.6*	2.8	3.3*	2.2	3.0*			1.7*	1.7*	17.9
4.5																	5.3*	5.3*	4.6*	4.6*	4.1	4.1*	3.3	3.7*	2.6	3.1*	1.7	2.0*	1.6	1.7*	18.2
3.0	14.4*	14.4*	12.0*	12.0*	8.8*	8.8*	6.9*	6.9*	5.8*	5.8*	4.6*	4.6*	4.1	4.1*	3.3	3.7*	2.6	3.4*	2.1	3.1*	1.7	2.0*	1.6	2.2*	1.5	1.8*	1.4	1.9*	1.4	1.7*	18.3
1.5	3.8*	3.8*	11.7*	11.7*	9.8*	9.8*	7.3	7.6*	5.6	6.2*	4.4	5.2*	3.5	4.5*	2.9	4.0*	2.3	3.6*	1.9	3.1	1.5	2.4*	1.4	2.4*	1.4	1.9*	1.4	2.0*	1.4	1.9*	18.3
0	3.4*	3.4*	7.2*	7.2*	8.7	10.5*	6.5	8.1*	5.0	6.5*	4.0	5.5*	3.2	4.7*	2.6	4.1*	2.2	3.6	1.8	3.0	1.4	2.4*	1.4	2.4*	1.4	2.0*	1.4	2.0*	1.4	2.0*	18.2
- 1.5	4.0*	4.0*	6.6*	6.6*	7.9	10.9*	5.9	8.4*	4.6	6.7*	3.7	5.6*	3.0	4.8*	2.5	4.1	2.0	3.4	1.7	2.9					1.4	2.2*	1.4	2.2*	1.4	2.2*	18.0
- 3.0	4.9*	4.9*	7.0*	7.0*	7.4	10.8*	5.5	8.4*	4.3	6.8*	3.4	5.7*	2.8	4.7	2.3	3.9	1.9	3.3	1.6	2.9					1.4	2.4*	1.4	2.4*	1.4	2.4*	17.6
- 4.5	5.9*	5.9*	7.9*	7.9*	7.2	10.4*	5.3	8.3*	4.1	6.7*	3.3	5.5	2.7	4.6	2.2	3.8	1.9	3.3	1.6	2.8					1.5	2.7	1.5	2.7	1.5	2.7	17.1
- 6.0	7.0*	7.0*	8.9*	8.9*	7.1	9.8*	5.2	7.9*	4.0	6.5*	3.2	5.4	2.6	4.5	2.2	3.8	1.8	3.2							1.6	2.8*	1.6	2.8*	1.6	2.8*	16.4
- 7.5	8.2*	8.2*	10.3*	10.3*	7.2	8.9*	5.2	7.3*	4.0	6.0*	3.2	5.1*	2.6	4.3*	2.2	3.6*	1.9	3.0*							1.8	2.7*	1.8	2.7*	1.8	2.7*	15.6
- 9.0	9.6*	9.6*	9.6*	9.6*	7.4	7.8*	5.3	6.4*	4.0	5.4*	3.2	4.5*	2.6	3.8*	2.2	3.1*									2.0	2.6*	2.0	2.6*	2.0	2.6*	14.5
-10.5	9.3*	9.3*	7.5*	7.5*	6.3*	6.3*	5.3*	5.3*	4.2	4.5*	3.3	3.7*	2.8	3.0*											2.4*	2.4*	2.4*	2.4*	2.4*	2.4*	13.3
-12.0					4.4*	4.4*	3.8*	3.8*	3.2*	3.2*	2.5*	2.5*													2.0*	2.0*	2.0*	2.0*	2.0*	2.0*	11.6

Height
Can be slewed through 360°
In longitudinal position of undercarriage
Max. reach
 * Limited by hydr. capacity

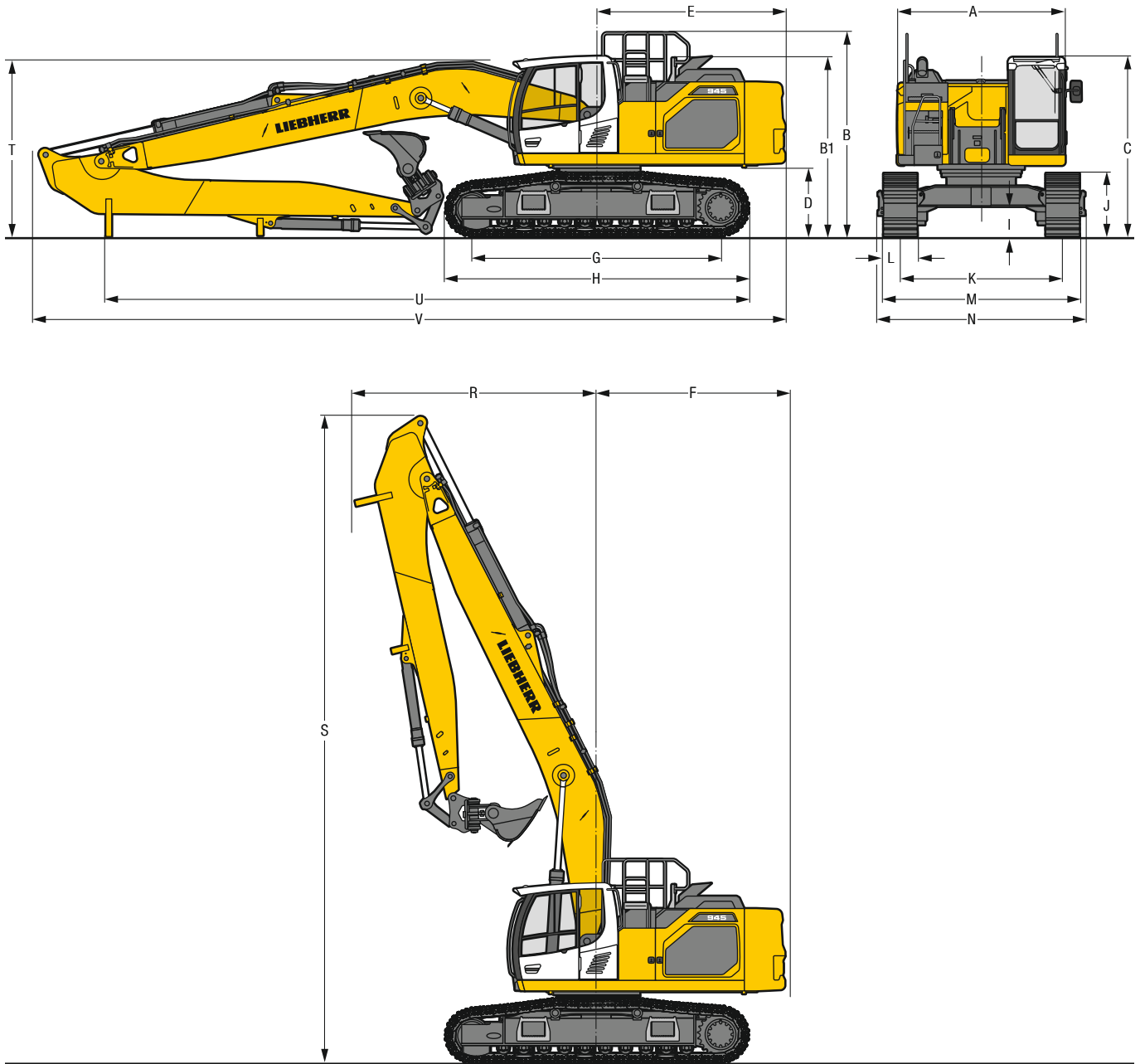
The load values are quoted in tons (t) at stick end (without bucket), and may be swung 360° on firm and even ground. Adjacent values are valid for the undercarriage when in the longitudinal position. Capacities are valid for 600 mm wide track pads. Indicated loads are based on ISO 10567 standard and do not exceed 75% of tipping or 87% of hydraulic capacity (indicated via *). Without bucket cylinder, link and lever the lift capacities will increase by 325 kg. Lifting capacity of the excavator is limited by machine stability and hydraulic capacity.

According to European Standard, EN 474-5: In the European Union excavators have to be equipped with an overload warning device, a load diagram and automatic safety check valves on hoist cylinders and stick cylinder(s), when they are used for lifting operations which require the use of lifting accessories.

Determine maximum load lift from load lift chart displayed in the operator's cab or from load lift chart detailed in the operator's manual supplied with the machine.

Dimensions

R 945



	S-HD			LC-V		
	mm			mm		
A	Upper-carriage width			2,990 ²⁾		
B	Upper-carriage height			3,635		
B1	Upper-carriage height (handrails folded)			3,195		
C	Cab height			3,215		
D	Counterweight ground clearance			1,240		
E	Rear-end length			3,350		
F	Tail swing radius			3,450		
G	Wheelbase			4,400		
H	Undercarriage length			5,365		
I	Undercarriage ground clearance			550		
J	Track height			1,145		
K	Track gauge			2,890		
L	Track pad width			2,390/2,890 ³⁾		
	600	750	900	600	750	900
M	Width over tracks			2,990/3,490 ³⁾		
	3,490	3,640	3,790	3,140/3,640 ³⁾	3,290/3,790 ³⁾	3,200/3,700 ¹⁾³⁾
N	Width over steps			3,200/3,700 ¹⁾³⁾		
	3,695 ¹⁾	3,695 ¹⁾	3,695 ¹⁾	3,200/3,700 ¹⁾³⁾	3,200/3,700 ¹⁾³⁾	3,200/3,700 ¹⁾³⁾

¹⁾ width with removable steps

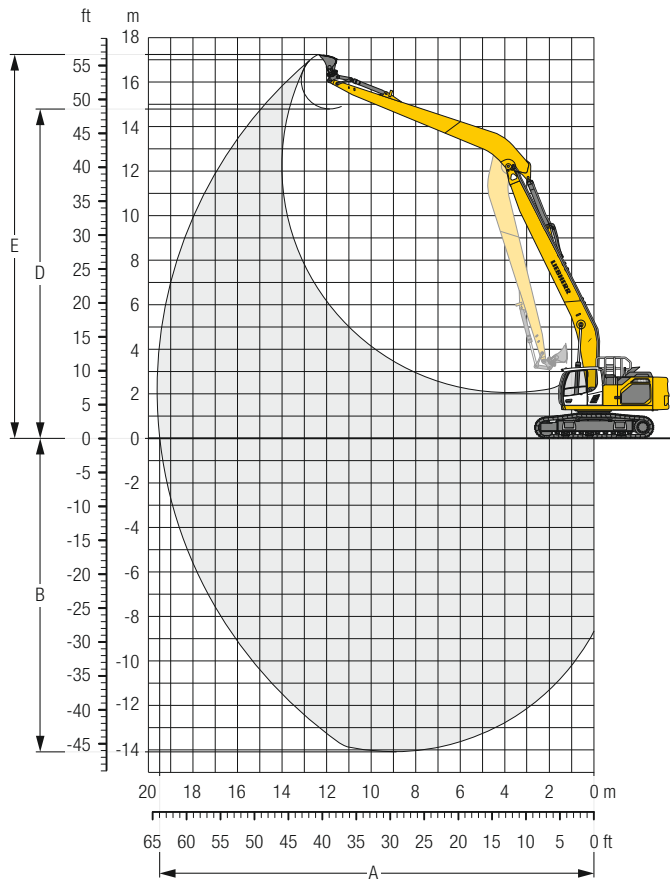
²⁾ without door stop device and spacer

³⁾ work position

	Stick length m	Mono boom 10.70 m direct mounting mm
R	8.90	4,900
S	8.90	13,400
T	8.90	3,350
U	8.90	7,500
V	8.90	15,400
		0.55 m ³

Multi-User equipment with mono boom 10.70 m

R 945



Digging envelope

Stick length	m	8.90
A Max. reach at ground level	m	19.50
B Max. digging depth	m	14.07
D Max. dumping height	m	14.80
E Max. cutting height	m	17.24

Forces

Stick digging force (ISO 6015)	kN	83
Bucket digging force (ISO 6015)	kN	173
Stick digging force (SAE J1179)	kN	81
Bucket digging force (SAE J1179)	kN	151













Operating weight and ground pressure

The operating weight includes the basic machine with counterweight 11.8 t, mono boom 10.70 m, stick 8.90 m and bucket 0.55 m³ (580 kg).

Undercarriage		S-HD		
Pad width	mm	600	750	900
Weight	kg	45,200	46,450	47,300
Ground pressure	kg/cm ²	0.79	0.65	0.56

Undercarriage		LC-V		
Pad width	mm	600	750	900
Weight	kg	47,600	48,850	49,700
Ground pressure	kg/cm ²	0.84	0.69	0.58

Stick 8.90 m

Under-carriage	3.0 m		4.5 m		6.0 m		7.5 m		9.0 m		10.5 m		12.0 m		13.5 m		15.0 m		16.5 m		18.0 m		m				
	m		m		m		m		m		m		m		m		m		m		m		m				
S-HD	15.0																							1.9*	1.9*	13.2	
	13.5																								1.8*	1.8*	14.5
	12.0																								1.7*	1.7*	15.5
	10.5																								1.7*	1.7*	16.4
	9.0																								1.7*	1.7*	17.1
	7.5																								1.7*	1.7*	17.6
	6.0																								1.7*	1.7*	18.0
	4.5																								2.0*	2.0*	18.2
	3.0	12.8*	12.8*	12.1*	12.1*	8.8*	8.8*	7.0*	7.0*	5.3*	5.3*	4.7*	4.7*	4.1*	4.1*	3.7*	3.7*	3.3	3.4*	2.7	3.1*	2.0*	2.0*	1.7*	1.7*	18.3	
	1.5	3.7*	3.7*	11.3*	11.3*	9.9*	9.9*	7.6*	7.6*	6.2*	6.2*	5.2*	5.2*	4.4	4.5*	3.6	4.0*	2.9	3.6*	2.4	3.2*	2.0	2.4*	1.9*	1.9*	18.3	
	0	3.4*	3.4*	7.1*	7.1*	10.6*	10.6*	8.0	8.1*	6.2	6.5*	5.0	5.5*	4.1	4.7*	3.4	4.1*	2.8	3.6*	2.3	3.2*	2.0	2.4*	1.9	2.0*	18.2	
	-1.5	4.0*	4.0*	6.6*	6.6*	10.0	10.9*	7.4	8.4*	5.8	6.8*	4.7	5.6*	3.8	4.8*	3.2	4.2*	2.7	3.7*	2.2	3.2*			1.9	2.2*	17.9	
-3.0	4.9*	4.9*	7.1*	7.1*	9.5	10.8*	7.0	8.4*	5.5	6.8*	4.4	5.7*	3.6	4.8*	3.0	4.2*	2.6	3.6*	2.2	3.2*			1.9	2.4*	17.6		
-4.5	5.9*	5.9*	7.9*	7.9*	9.3	10.4*	6.8	8.2*	5.3	6.7*	4.2	5.6*	3.5	4.8*	2.9	4.1*	2.5	3.5*	2.1	3.0*			2.0	2.7*	17.0		
-6.0	7.1*	7.1*	9.0*	9.0*	9.2	9.8*	6.7	7.9*	5.2	6.5*	4.2	5.4*	3.4	4.6*	2.9	3.9*	2.5	3.3*					2.2	2.8*	16.3		
-7.5	8.3*	8.3*	10.3*	10.3*	8.9*	8.9*	6.7	7.3*	5.1	6.0*	4.1	5.0*	3.4	4.3*	2.9	3.6*	2.5	2.9*					2.4	2.7*	15.5		
-9.0	9.7*	9.7*	9.6*	9.6*	7.7*	7.7*	6.4*	6.4*	5.2	5.4*	4.2	4.5*	3.5	3.8*	2.9	3.1*							2.6*	2.6*	14.4		
-10.5			7.4*	7.4*	6.2*	6.2*	5.3*	5.3*	4.4*	4.4*	3.7*	3.7*	3.0*	3.0*									2.4*	2.4*	13.1		
-12.0					4.3*	4.3*	3.7*	3.7*	3.1*	3.1*	2.5*	2.5*											2.0*	2.0*	11.4		
LC-V	15.0																							1.9*	1.9*	13.2	
	13.5																							1.8*	1.8*	14.5	
	12.0																							1.7*	1.7*	15.5	
	10.5																							1.7*	1.7*	16.4	
	9.0																							1.7*	1.7*	17.1	
	7.5																							1.7*	1.7*	17.6	
	6.0																							1.7*	1.7*	18.0	
	4.5																							2.0*	2.0*	18.2	
	3.0	10.3*	10.3*	12.3*	12.3*	8.9*	8.9*	7.0*	7.0*	5.8*	5.8*	5.0*	5.0*	4.4*	4.4*	3.9*	3.9*	3.3	3.5*	2.7	3.2*	2.3*	2.3*	1.8*	1.8*	18.3	
	1.5	3.6*	3.6*	10.5*	10.5*	9.9*	9.9*	7.7*	7.7*	6.2*	6.2*	5.3*	5.3*	4.6*	4.6*	3.8	4.0*	3.1	3.6*	2.6	3.2*	2.2	2.4*	1.9*	1.9*	18.3	
	0	3.4*	3.4*	7.0*	7.0*	10.6*	10.6*	8.1*	8.1*	6.6*	6.6*	5.3	5.5*	4.3	4.7*	3.6	4.1*	3.0	3.6*	2.5	3.2*	2.1	2.4*	2.1*	2.1*	18.2	
	-1.5	4.1*	4.1*	6.6*	6.6*	10.5	10.9*	7.8	8.4*	6.1	6.8*	5.0	5.6*	4.1	4.8*	3.4	4.2*	2.9	3.7*	2.4	3.2*			2.1	2.2*	17.9	
-3.0	5.0*	5.0*	7.1*	7.1*	10.1	10.8*	7.4	8.4*	5.8	6.8*	4.7	5.7*	3.9	4.8*	3.3	4.2*	2.8	3.6*	2.4	3.1*			2.1	2.4*	17.6		
-4.5	6.0*	6.0*	8.0*	8.0*	9.9	10.4*	7.2	8.2*	5.6	6.7*	4.6	5.6*	3.8	4.8*	3.2	4.1*	2.7	3.5*	2.3	3.0*			2.2	2.7*	17.0		
-6.0	7.2*	7.2*	9.1*	9.1*	9.7*	9.7*	7.1	7.8*	5.5	6.4*	4.5	5.4*	3.7	4.6*	3.1	3.9*	2.7	3.3*					2.4	2.8*	16.3		
-7.5	8.4*	8.4*	10.5*	10.5*	8.8*	8.8*	7.2	7.2*	5.5	6.0*	4.4	5.0*	3.7	4.2*	3.1	3.6*	2.7	2.9*					2.6	2.7*	15.5		
-9.0	9.8*	9.8*	9.4*	9.4*	7.6*	7.6*	6.3*	6.3*	5.3*	5.3*	4.4*	4.4*	3.7*	3.7*	3.0*	3.0*							2.6*	2.6*	14.4		
-10.5			7.2*	7.2*	6.1*	6.1*	5.1*	5.1*	4.3*	4.3*	3.6*	3.6*	2.9*	2.9*									2.4*	2.4*	13.1		
-12.0					4.1*	4.1*	3.6*	3.6*	3.0*	3.0*	2.3*	2.3*											1.9*	1.9*	11.4		

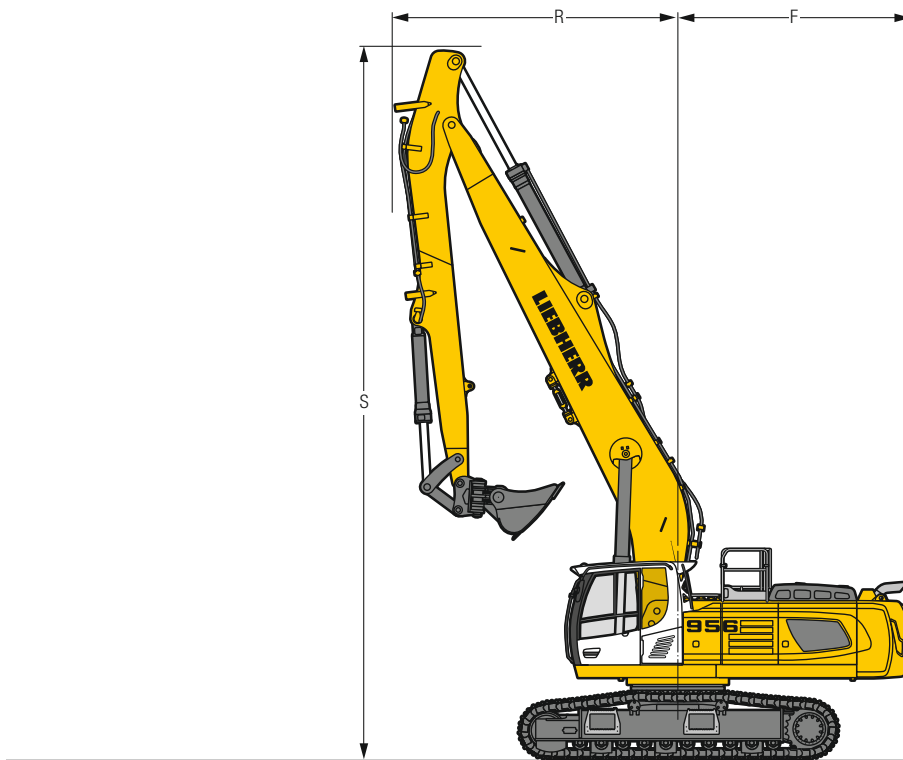
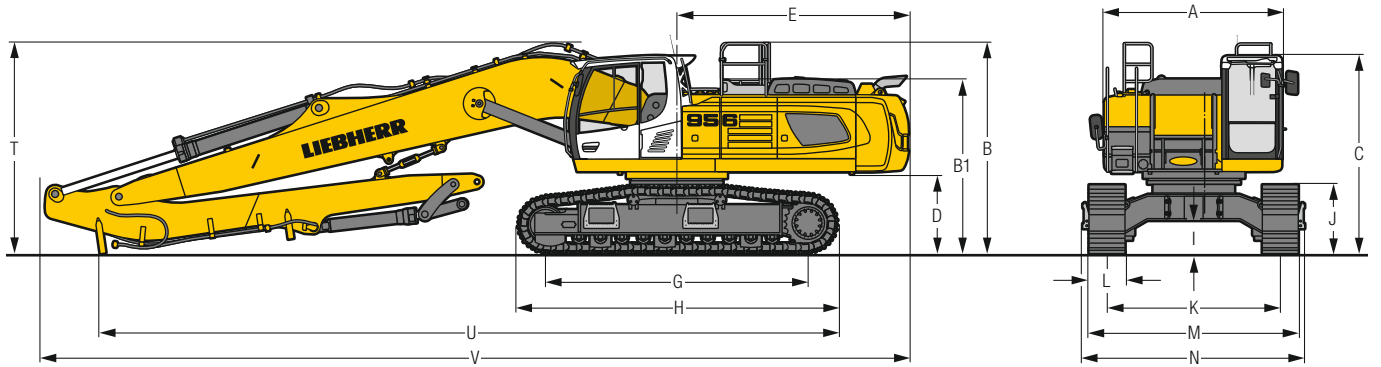
 Height  Can be slewed through 360°  In longitudinal position of undercarriage  Max. reach * Limited by hydr. capacity

The load values are quoted in tons (t) at stick end (without bucket), and may be swung 360° on firm and even ground. Adjacent values are valid for the undercarriage when in the longitudinal position. Capacities are valid for 600 mm wide track pads. Indicated loads are based on ISO 10567 standard and do not exceed 75 % of tipping or 87 % of hydraulic capacity (indicated via *). Without bucket cylinder, link and lever the lift capacities will increase by 325 kg. Lifting capacity of the excavator is limited by machine stability and hydraulic capacity.

According to European Standard, EN 474-5: In the European Union excavators have to be equipped with an overload warning device, a load diagram and automatic safety check valves on hoist cylinders and stick cylinder(s), when they are used for lifting operations which require the use of lifting accessories.

Determine maximum load lift from load lift chart displayed in the operator's cab or from load lift chart detailed in the operator's manual supplied with the machine.

Dimensions



R 956

		LC-VW			mm
A	Upper-carriage width				2,970
B	Upper-carriage height				3,610
B1	Upper-carriage height (handrails folded)				3,360
C	Cab height				3,390
D	Counterweight ground clearance				1,410
E	Rear-end length				3,880
F	Tail swing radius				3,900
G	Wheelbase				4,400
H	Undercarriage length				5,365
I	Undercarriage ground clearance				760
J	Track height				1,165
K	Track gauge				2,900/3,400*
L	Track pad width		600	750	900
M	Width over tracks		3,000/3,500**	3,150/3,650**	3,300/3,800**
N	Width over steps		3,215/3,715**	3,215/3,715**	3,215/3,715**

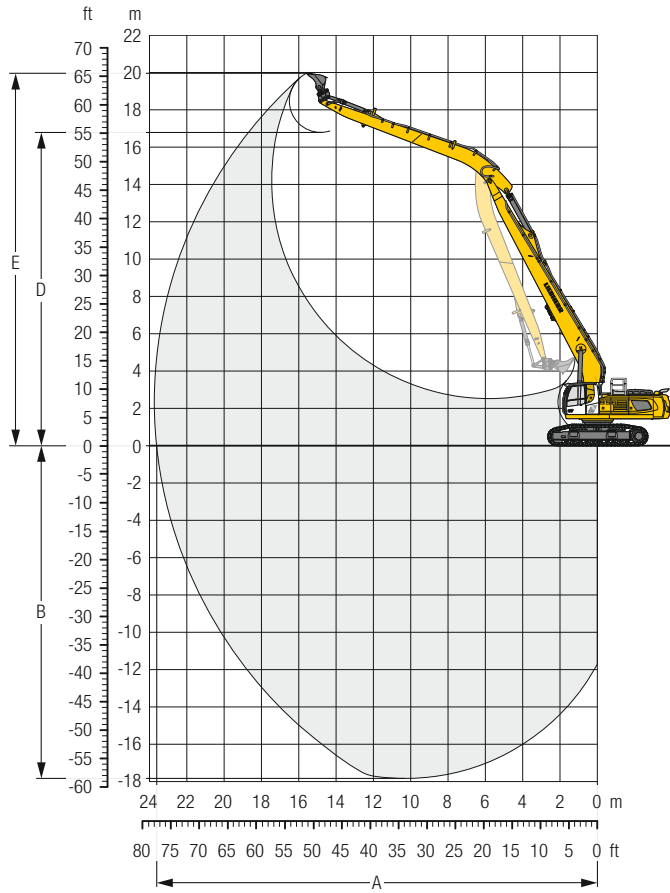
* transport position

** width with removable steps

		Stick length m	Mono boom 13.00 m direct mounting mm
R	Front swing radius	10.00	6,750
S	Height with boom up	10.00	15,500
T	Boom height	10.00	3,900
U	Length on ground	10.00	13,600
V	Overall length	10.00	18,700
	Bucket		0.75 m ³

Multi-User equipment with mono boom 13.00 m

R 956



Digging envelope

Stick length	m	10.00
A Max. reach at ground level	m	23.61
B Max. digging depth	m	17.91
D Max. dumping height	m	16.73
E Max. cutting height	m	19.88

Forces

Stick digging force (ISO 6015)	kN	85
Bucket digging force (ISO 6015)	kN	177
Stick digging force (SAE J1179)	kN	83
Bucket digging force (SAE J1179)	kN	155

Operating weight and ground pressure

The operating weight includes the basic machine with counterweight 12.5 t, mono boom 13.00 m, stick 10.00 m and bucket 0.75 m³ (810 kg).

Undercarriage	LC-VW			
Pad width	mm	600	750	900
Weight	kg	59,850	61,100	61,950
Ground pressure	kg/cm ²	1.05	0.86	0.73

Stick 10.00 m

Under-carriage m	3.0 m		4.5 m		6.0 m		7.5 m		9.0 m		10.5 m		12.0 m		13.5 m		15.0 m		16.5 m		18.0 m		19.5 m		21.0 m		m			
	LC-VW	Height	LC-VW	Height	LC-VW	Height	LC-VW	Height	LC-VW	Height	LC-VW	Height	LC-VW	Height	LC-VW	Height	LC-VW	Height	LC-VW	Height	LC-VW	Height	LC-VW	Height	LC-VW	Height	LC-VW	Height		
18.0																				1.4*	1.4*							1.2*	1.2*	15.3
16.5																				2.1*	2.1*							1.1*	1.1*	16.8
15.0																												1.0*	1.0*	18.0
13.5																				2.6*	2.6*	1.8*	1.8*					1.0*	1.0*	19.0
12.0																				2.9*	2.9*	2.3*	2.3*	1.3*	1.3*			1.0*	1.0*	19.8
10.5																				3.2*	3.2*	2.7*	2.7*	1.9*	1.9*			1.0*	1.0*	20.5
9.0																				3.6*	3.6*	3.4*	3.4*	3.1*	3.1*	2.3*	2.3*	1.0*	1.0*	21.0
7.5																				4.1*	4.1*	3.8*	3.8*	3.5*	3.5*	3.3*	3.3*	1.0*	1.0*	21.4
6.0														4.8*	4.8*	4.3*	4.3*	3.9*	3.9*	3.6*	3.6*	3.3*	3.3*	3.0*	3.0*	1.9*	1.9*	1.0*	1.0*	21.7
4.5									6.9*	6.9*	5.9*	5.9*	5.1*	5.1*	4.6*	4.6*	4.1*	4.1*	3.7*	3.7*	3.4*	3.4*	2.8*	2.8*	2.2*	2.2*	1.0*	1.0*	21.9	
3.0			6.2*	6.2*	12.4*	12.4*	9.4*	9.4*	7.5*	7.5*	6.3*	6.3*	5.4*	5.4*	4.8*	4.8*	4.3*	4.3*	3.9*	3.9*	3.6*	3.6*	3.3*	3.3*	2.7*	2.7*	1.5*	1.5*	22.0	
1.5			3.7*	3.7*	8.9*	8.9*	10.2*	10.2*	8.1*	8.1*	6.7*	6.7*	5.7*	5.7*	5.0*	5.0*	4.3*	4.3*	3.9*	3.9*	3.2*	3.2*	2.7*	2.7*	2.2*	2.2*	1.1*	1.1*	22.0	
0	1.9*	1.9*	3.6*	3.6*	6.8*	6.8*	10.6*	10.6*	8.4*	8.4*	6.9*	6.9*	5.7*	5.7*	4.8*	4.8*	4.0*	4.0*	3.6*	3.6*	3.4*	3.4*	2.9*	2.9*	2.4*	2.4*	1.9*	1.9*	21.9	
-1.5	2.8*	2.8*	4.1*	4.1*	6.5*	6.5*	9.7*	10.9*	7.7*	8.8*	6.3*	7.3*	5.3*	6.2*	4.4*	5.3*	3.8*	4.7*	3.2*	4.2*	2.7*	3.7*	2.3*	3.4*	2.0*	2.5*	1.3*	1.3*	21.7	
-3.0	3.7*	3.7*	4.8*	4.8*	6.8*	6.8*	9.2*	10.3*	7.3*	9.0*	5.9*	7.4*	4.9*	6.3*	4.2*	5.4*	3.5*	4.8*	3.0*	4.2*	2.6*	3.8*	2.2*	3.3*	1.9*	2.1*	1.5*	1.5*	21.4	
-4.5	4.6*	4.6*	5.6*	5.6*	7.4*	7.4*	8.9*	10.5*	7.0*	9.0*	5.6*	7.5*	4.7*	6.3*	4.0*	5.5*	3.4*	4.8*	2.9*	4.2*	2.5*	3.7*	2.2*	3.2*			1.6*	1.6*	20.9	
-6.0	5.5*	5.5*	6.5*	6.5*	8.3*	8.3*	8.8*	10.7*	6.8*	8.8*	5.5*	7.4*	4.5*	6.3*	3.8*	5.4*	3.3*	4.7*	2.8*	4.1*	2.4*	3.6*	2.1*	3.2*			1.8*	1.8*	20.4	
-7.5	6.5*	6.5*	7.5*	7.5*	9.3*	9.3*	8.9*	10.3*	6.8*	8.5*	5.4*	7.2*	4.5*	6.1*	3.8*	5.3*	3.2*	4.6*	2.8*	4.0*	2.4*	3.5*	2.2*	2.5*			2.1*	2.1*	19.7	
-9.0	7.5*	7.5*	8.6*	8.6*	10.4*	10.4*	9.0*	9.6*	6.8*	8.0*	5.4*	6.8*	4.5*	5.8*	3.8*	5.0*	3.2*	4.4*	2.8*	3.8*	2.5*	3.2*					2.3*	2.4*	18.8	
-10.5	8.5*	8.5*	9.8*	9.8*	10.6*	10.6*	8.8*	8.8*	7.0*	7.4*	5.5*	6.3*	4.5*	5.4*	3.8*	4.7*	3.3*	4.0*	2.9*	3.4*							2.6*	2.9*	17.8	
-12.0	9.7*	9.7*	11.1*	11.1*	9.2*	9.2*	7.7*	7.7*	6.6*	6.6*	5.6*	5.6*	4.7*	4.8*	4.0*	4.1*	3.4*	3.5*	2.8*	2.8*							2.8*	2.8*	16.6	
-13.5			8.8*	8.8*	7.4*	7.4*	6.4*	6.4*	5.5*	5.5*	4.7*	4.7*	4.0*	4.0*	3.4*	3.4*	2.7*	2.7*									2.6*	2.6*	15.1	
-15.0					5.3*	5.3*	4.7*	4.7*	4.1*	4.1*	3.5*	3.5*	2.9*	2.9*													2.2*	2.2*	13.3	

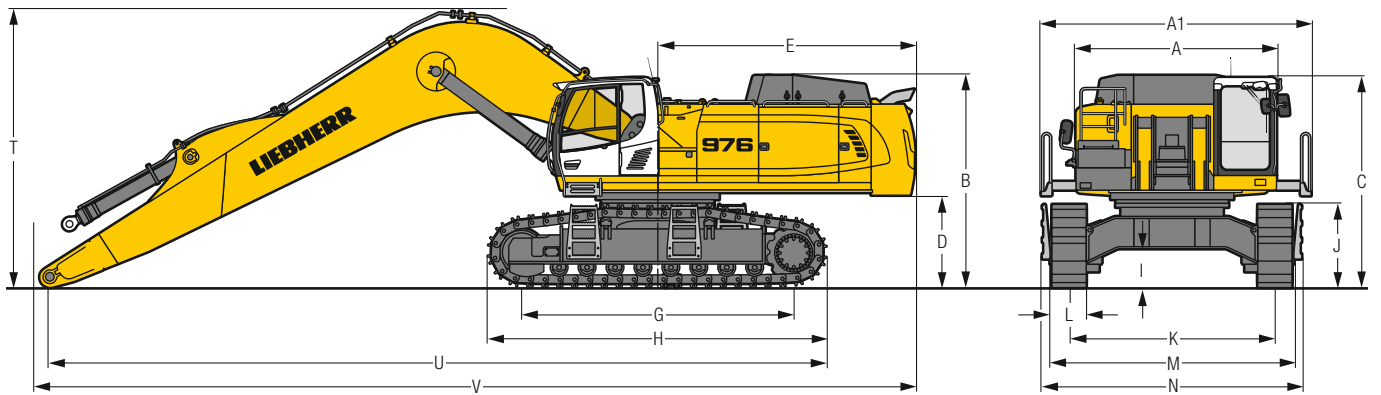
 **Height**
 **Can be slewed through 360°**
 **In longitudinal position of undercarriage**
 **Max. reach**
 * Limited by hydr. capacity

The load values are quoted in tons (t) at stick end (without bucket), and may be swung 360° on firm and even ground. Adjacent values are valid for the undercarriage when in the longitudinal position. Capacities are valid for 600 mm wide track pads. Indicated loads are based on ISO 10567 standard and do not exceed 75% of tipping or 87% of hydraulic capacity (indicated via *). Without bucket cylinder, link and lever the lift capacities will increase by 400 kg. Lifting capacity of the excavator is limited by machine stability and hydraulic capacity.

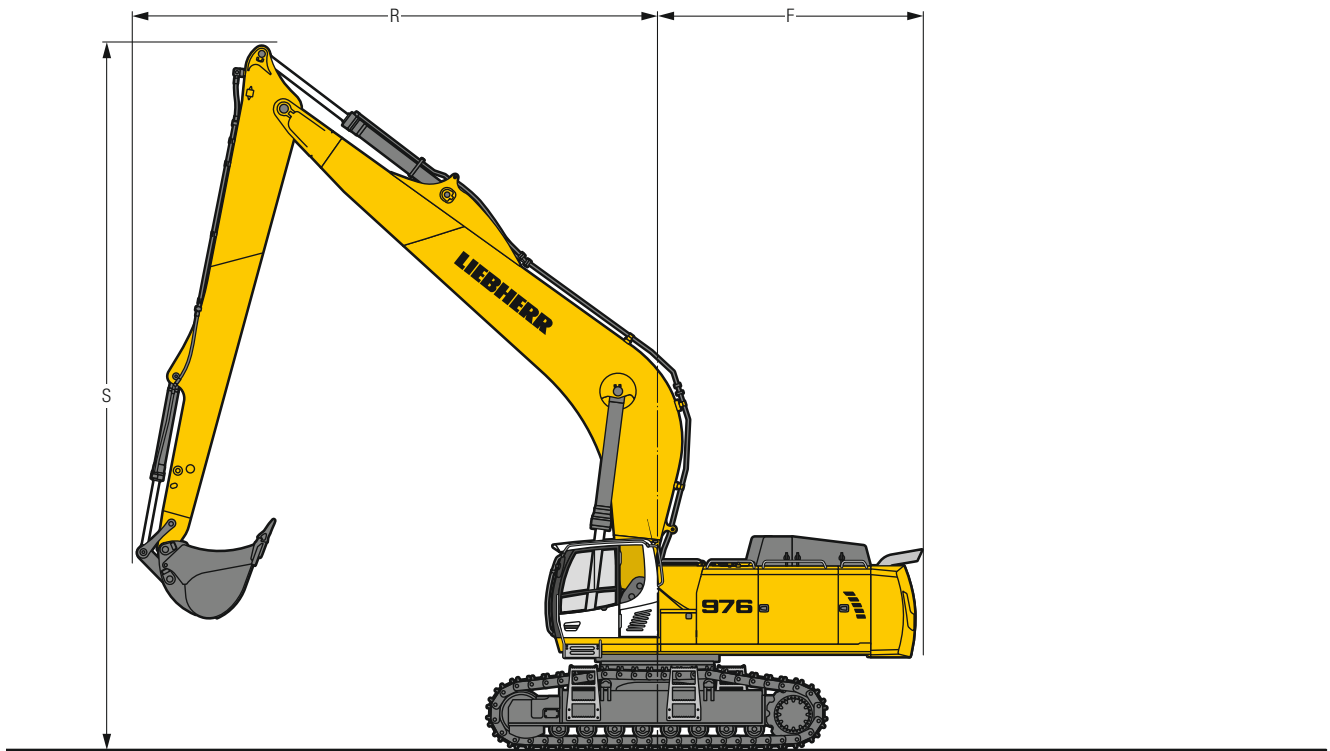
According to European Standard, EN 474-5: In the European Union excavators have to be equipped with an overload warning device, a load diagram and automatic safety check valves on hoist cylinders and stick cylinder(s), when they are used for lifting operations which require the use of lifting accessories.

Determine maximum load lift from load lift chart displayed in the operator's cab or from load lift chart detailed in the operator's manual supplied with the machine.

Dimensions



R 976

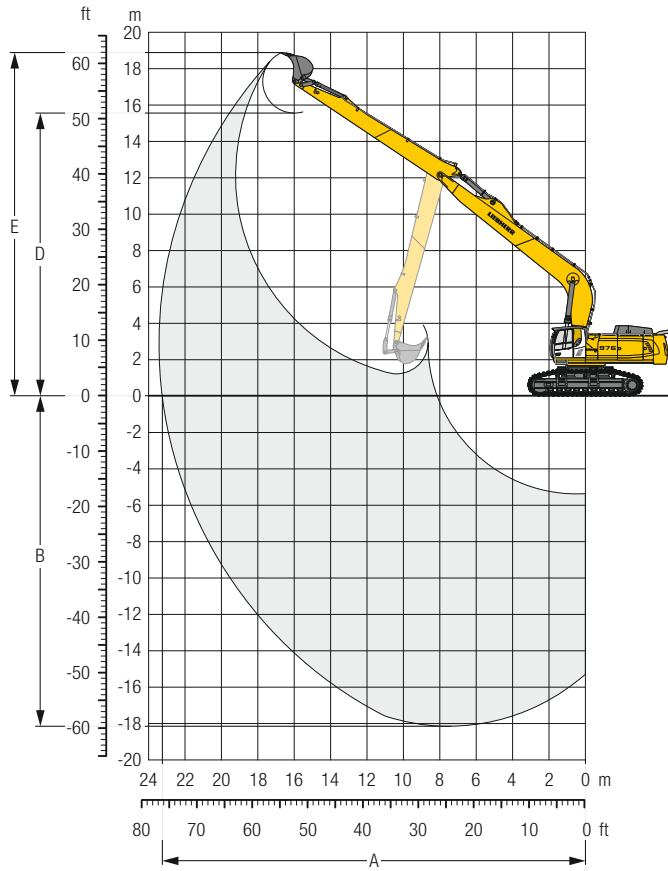


	HD	mm			LC-V	mm		
A	Uppercarriage width			3,565				3,565
A1	Uppercarriage width with catwalks			4,730				4,730
B	Uppercarriage height			3,725				3,865
C	Cab height			3,695				3,835
D	Counterweight ground clearance			1,620				1,755
E	Rear-end length			4,640				4,640
F	Tail swing radius			4,640				4,640
G	Wheelbase			4,770				5,160
H	Undercarriage length			5,955				6,335
I	Undercarriage ground clearance			682				955
J	Track height			1,460				1,495
K	Track gauge			3,600				2,750/3,590*
L	Track pad width	600	750	900		600	750	900
M	Width over tracks	4,290	4,350	4,600		2,650/3,490*	2,660/3,500*	2,810/3,650*
N	Width over steps	4,540	4,540	4,640		3,030/3,870*	3,030/3,870*	3,030/3,870*

* transport positionz

	Stick length m	Mono boom 12.00 m direct mounting mm
R	Front swing radius	9.50 11,100
S	Height with boom up	9.50 13,200/13,350
T	Boom height	9.50 4,950
U	Length on ground	9.50 15,050
V	Overall length	9.50 16,950
	Bucket	1.25 m ³

Multi-User equipment with mono boom 12.00 m



R 976

Digging envelope

Stick length	m	9.50
A Max. reach at ground level	m	23.25
B Max. digging depth	m	18.15
D Max. dumping height	m	15.56
E Max. cutting height	m	18.88

Forces

Stick digging force (ISO 6015)	kN	170
Bucket digging force (ISO 6015)	kN	233
Stick digging force (SAE J1179)	kN	168
Bucket digging force (SAE J1179)	kN	208

Operating weight and ground pressure

The operating weight includes the basic machine with counterweight 16.0 t, mono boom 12.00 m, stick 9.50 m and bucket 1.25 m³ (1,280 kg).

Undercarriage		HD		
Pad width	mm	600	750	900
Weight	kg	90,000	91,100	92,200
Ground pressure	kg/cm ²	1.45	1.17	0.99

Undercarriage		LC-V		
Pad width	mm	600	750	900
Weight	kg	95,400	96,550	97,800
Ground pressure	kg/cm ²	1.43	1.16	0.98

Available buckets

R 922 Mono boom 8.90 m, stick 6.30 m		Ditch cleaning buckets type R 920 Compact G6 TL-03					Buckets type R 920 Compact G6 TL-03							
Cutting width	mm	1,500	2,000	2,000	2,000 ¹⁾	1,600 ¹⁾	300	400	500	650	750	850	1,050	
Capacity	m ³	0.35	0.48	0.65	0.50	0.55	0.17	0.24	0.30	0.42	0.50	0.60	0.80	
Weight	kg	275	350	390	650	640	230	260	310	370	375	420	500	
Specific weight with LC-Undercarriage	t/m ³	2.0	2.0	1.5	1.65	1.5	2.0	2.0	2.0	2.0	2.0	1.65	1.2	

R 926 Mono boom 10.20 m, stick 7.90 m		Ditch cleaning buckets type R 926 Compact G6 TL-03					Buckets type R 926 Compact G6 TL-03							
Cutting width	mm	1,500	2,000 ¹⁾	2,000	2,000 ¹⁾	2,400	2,400 ¹⁾	500	650	750	850	1,050	1,250	1,400
Capacity	m ³	0.50	0.50	0.70	0.70	0.85	0.85	0.30	0.42	0.50	0.60	0.80	0.95	1.05
Weight	kg	395	675	500	790	590	870	330	390	410	430	510	610	720
Specific weight with LC-Undercarriage	t/m ³	1.65	1.2	–	–	–	–	2.0	2.0	1.65	1.2	–	–	–

R 930 Mono boom 10.20 m, stick 7.90 m		Ditch cleaning buckets type R 926 Compact G6 TL-04					Buckets type R 926 Compact G6 TL-04							
Cutting width	mm	1,500	2,000 ¹⁾	2,000	2,000 ¹⁾	2,400	2,400 ¹⁾	650	850	1,050	1,250	1,400	1,400	
Capacity	m ³	0.50	0.50	0.70	0.70	0.85	0.85	0.55	0.60	0.80	1.00	1.15	1.35	
Weight	kg	395	675	500	790	590	870	480	520	600	685	755	780	
Specific weight with LC-Undercarriage	t/m ³	2.0	1.65	1.2	–	–	–	1.8	1.5	–	–	–	–	

R 938 Mono boom 10.70 m, stick 8.90 m		Ditch cleaning buckets type R 924 / R 926 G7 TL-04					Buckets type R 924 / R 926 G7 TL-04								
Cutting width	mm	1,500	2,000 ¹⁾	2,000	2,000 ¹⁾	2,400	2,400 ¹⁾	650	850	1,050	1,250	1,250	1,400	1,400	1,500
Capacity	m ³	0.50	0.50	0.70	0.70	0.85	0.85	0.55	0.75	0.95	1.15	1.25	1.35	1.50	1.65
Weight	kg	430	690	510	820	590	890	580	620	700	810	890	850	950	1,020
Specific weight with LC-Undercarriage	t/m ³	2.0	2.0	1.5	1.2	1.2	–	1.8	1.2	–	–	–	–	–	–

R 945 Mono boom 10.70 m, stick 8.90 m		Ditch cleaning buckets type R 924 / R 926 G7 TL-04					Buckets type R 924 / R 926 G7 TL-04								
Cutting width	mm	1,500	2,000 ¹⁾	2,000	2,000 ¹⁾	2,400	2,400 ¹⁾	650	850	1,050	1,250	1,250	1,400	1,400	1,500
Capacity	m ³	0.50	0.50	0.70	0.70	0.85	0.85	0.55	0.75	0.95	1.15	1.25	1.35	1.50	1.65
Weight	kg	430	690	510	820	590	890	580	620	700	810	890	850	950	1,020
Specific weight with S-HD-Undercarriage	t/m ³	2.0	2.0	2.0	2.0	1.8	1.5	2.0	2.0	1.5	1.2	–	–	–	–
Specific weight with LC-V-Undercarriage	t/m ³	2.0	2.0	2.0	2.0	2.0	1.65	2.0	2.0	1.65	1.2	–	–	–	–

R 956 Mono boom 13.00 m, stick 10.00 m		Ditch cleaning buckets type R 930 G7 TL-05					Buckets type R 930 G7 TL-05							
Cutting width	mm	2,000	2,000	2,000 ²⁾	2,400			850	1,050					
Capacity	m ³	0.70	0.85	0.85	1.15			0.75	1.00					
Weight	kg	550	635	900	685			810	940					
Specific weight with LC-VW-Undercarriage	t/m ³	1.8	1.8	1.5	1.2			1.8	1.2					

R 976 Mono boom 12.00 m, stick 9.50 m		Buckets type R 938 / R 945 G7 TL-06												
Cutting width	mm	1,200	1,350	1,500	1,650									
Capacity	m ³	1.25	1.50	1.75	2.00									
Weight	kg	1,280	1,370	1,460	1,580									
Specific weight with HD-Undercarriage	t/m ³	1.8	1.5	1.2	–									
Specific weight with LC-V-Undercarriage	t/m ³	1.8	1.8	1.5	1.2									

¹⁾ Ditch cleaning bucket 2 x 50° tiltable

²⁾ Ditch cleaning bucket 2 x 45° tiltable