

RT 1080

ROUGH TERRAIN CRANE 80 T CAPACITY



- ▶ 80 t lifting capacity
- ▶ 34,0 m max boom length
- ▶ 37,0 m max tip height main boom
- ▶ 56,5 m / 50,5 m / 44,5 m max tip height with additional 20 m / 14 m / 8 m lattice jib

EASY TO HANDLE

Easy transportability and maneuverability:

- Compact: only 3.00 m width
- 3 steering modes
- Automatic / manual shift modes

HIGH PERFORMANCES

- Superior load charts and tip heights
- 4-sections hydraulic boom with 2 extension modes: strength, stability
- Low energy consumption Cummins engine 168 kW (V) / 164 kW (IIIA)
- 23.5 (26.5) tires

FULL CONTROL

- 7" full-color display
- Ergonomic electro-proportional joysticks with adjustable responsiveness to operator preferences

GREAT COMFORT, EXCELLENT VISIBILITY

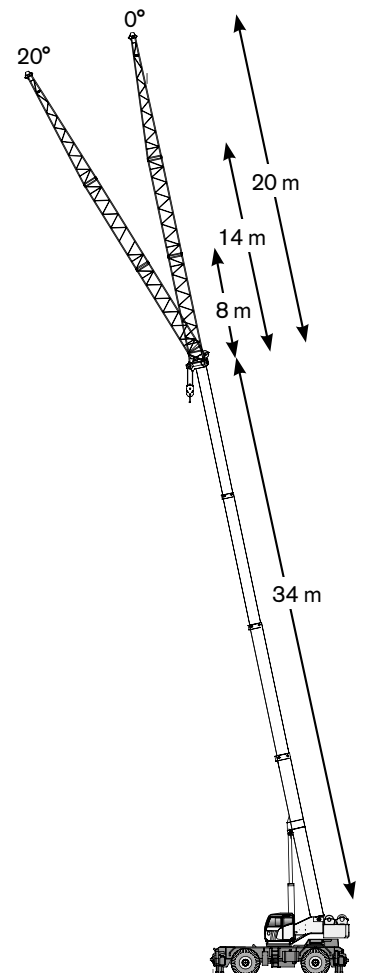
- Extra wide and tiltable cabin with large glass surface. No blind spots.
- 3 working area LED lights outside the cab included

TOP RELIABILITY

- High quality assured, with minimal service needs
- Low operating cost
- T-Link Telematics Platform included

WIDE OPTIONS CHOICE

- Additional lattice jibs of 20 m / 14 m / 8 m and single sheave
- Auxiliary winch
- Up to 4 cameras for enhanced visibility
- Radio remote control





- Cost savings and increased productivity
- Better management of maintenance and technical assistance
- Fleet control with Geofence
- Improved machine management, statistics and real-time data

KEY APPLICATIONS

The versatility of our rough terrain cranes allow us to cater for a number of applications, including:



OIL & GAS



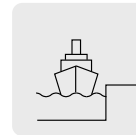
CONSTRUCTION



MINING



SHIPPING
& LOGISTICS



SHIPYARDS



POWER
PLANTS



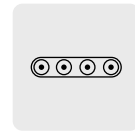
ROADS & RAILWAYS
CONSTRUCTION



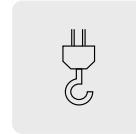
MILITARY



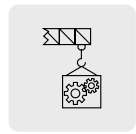
MATERIAL
HANDLING



MOBILE
EQUIPMENT
COMMISSIONING



GENERAL
LIFTING
APPLICATIONS



MAINTENANCE
WORKS



TEREX ROUGH TERRAIN CRANES

Terex Italia Srl

Via Cassoletta, 76 - Fraz. Crespellano
40053 Valsamoggia (BO)
Italy

Ph: +39 051 6501011

Email: mktg.cranes@terex.com

www.terex.com/rough-terrain-cranes



Brochure Reference: RT-FL-M-E-RT 1080-01/23

WORKS FOR YOU.™