

---

# LH 60 Port Litronic

---

## LIEBHERR

Material handling machine



### Generation

6

### Engine

190 kW / 258 HP

Stage V

Stage IIIA (compliant)

Tier 4 Final

Electric

### System performance

322 kW

### Operating weight

59,900–81,300 kg\*

\* Without attachment

## Performance

Power plus speed –  
Redefined performance

## Economy

Good investment –  
Savings for long-term

## Reliability

Durability and sustainability –  
Quality down to the last detail

## Comfort

Perfection at a glance –  
When technology is comfortable

## Maintainability

Efficiency bonus –  
Even with maintenance and service



### **LH 60 M Port Litronic**

**Operating weight**  
59,900–67,000 kg\*

**Engine**  
190 kW / 258 HP  
Stage V  
Stage IIIA (compliant)  
Tier 4 Final  
Electric

**System performance**  
322 kW

\* Without attachment



## LH 60 C Port Litronic

**Operating weight**  
65,200–71,600 kg\*

**Engine**  
190 kW / 258 HP  
Stage V  
Stage IIIA (compliant)  
Tier 4 Final  
Electric

**System performance**  
322 kW

## LH 60 M High Rise Port Litronic

**Operating weight**  
71,300–80,300 kg\*

**Engine**  
190 kW / 258 HP  
Stage V  
Stage IIIA (compliant)  
Tier 4 Final  
Electric

**System performance**  
322 kW

## LH 60 C High Rise Port Litronic

**Operating weight**  
72,300–81,300 kg\*

**Engine**  
190 kW / 258 HP  
Stage V  
Stage IIIA (compliant)  
Tier 4 Final  
Electric

**System performance**  
322 kW

# Technical data

## Diesel engine

<b>Rating per ISO 9249</b>	190 kW (258 HP) at 1,800 RPM
<b>Model</b>	Liebherr D944
<b>Type</b>	4 cylinder in-line
<b>Bore / Stroke</b>	130 / 150 mm
<b>Displacement</b>	8.0 l
<b>Engine operation</b>	4-stroke diesel Common-Rail Turbo-charged and after-cooled Reduced emissions
<b>Air cleaner</b>	Dry-type air cleaner with pre-cleaner, primary and safety elements
<b>Engine idling</b>	Sensor controlled
<b>Electrical system</b>	
<b>Voltage</b>	24 V
<b>Batteries</b>	2 x 180 Ah / 12 V
<b>Alternator</b>	Three-phase current 28 V / 140 A
<b>Stage V</b>	
<b>Harmful emissions values</b>	According to regulation (EU) 2016/1628
<b>Emission control</b>	Liebherr-SCR Filter technology
<b>Fuel tank</b>	521 l
<b>Urea tank</b>	65 l
<b>Stage IIIA (compliant)</b>	
<b>Harmful emissions values</b>	In accordance with ECE-R.96 Power Band H
<b>Fuel tank</b>	521 l
<b>Tier 4 Final</b>	
<b>Harmful emissions values</b>	In accordance with 40CFR1039 (EPA) / 13CCR (CARB)
<b>Emission control</b>	Liebherr-SCR technology
<b>Fuel tank</b>	521 l
<b>Urea tank</b>	65 l

## Electric motor

<b>Rating</b>	180 kW at 1,800 RPM
<b>Type</b>	Three-phase squirrel cage motor
<b>Secondary electric motor</b>	Electric motor auxiliary equipment (air-conditioning compressor, alternator 24 V) 15 kW
<b>Electrical system energy supply</b>	Frequency converter fed drive system Heavy-duty version
<b>Supply voltage</b>	
<b>Low voltage</b>	380 V, 400 V
<b>Frequency</b>	50 / 60 Hz
<b>Engine idling</b>	Sensor controlled
<b>Electrical system</b>	Battery-assisted Control system, lighting, diagnostics system
<b>Voltage</b>	24 V
<b>Batteries</b>	2 x 135 Ah / 12 V
<b>Alternator</b>	Three-phase current 28 V / 140 A

Deviating parameters of the power supply system must always be clarified with Liebherr-Hydraulikbagger GmbH.

## Cooling system

<b>Diesel engine</b>	Water-cooled Compact cooling system consisting cooling unit for water, hydraulic oil and charge air with stepless thermostatically controlled fan
<b>Electric motor</b>	Air-cooled Cooling system for hydraulic oil with an infinitely variable, thermostatically controlled fan drive system

## Hydraulic controls

<b>Power distribution</b>	Via control valves with integrated safety valves, simultaneous actuation of chassis and equipment. Swing drive in separate closed circuit
<b>Servo circuit</b>	
<b>Equipment and swing</b>	With electro-hydraulic pilot control and proportional joystick levers
<b>Chassis mobile</b>	Electro-proportional via foot pedal
<b>Chassis crawler</b>	With electric proportionally functioning foot pedals or adjusted with plugable levers
<b>Additional functions</b>	Via switch or electro-proportional foot pedals
<b>Proportional control</b>	Proportionally acting transmitters on the joysticks for additional hydraulic functions

## Hydraulic system

<b>Hydraulic pump</b>	
<b>For equipment and travel drive</b>	2 Liebherr axial piston variable displacement pumps (double construction)
<b>Max. flow</b>	2 x 302 l/min.
<b>Max. pressure</b>	350 bar
<b>For swing drive</b>	Reversible axial piston variable displacement pump, closed-loop circuit
<b>Max. flow</b>	199 l/min.
<b>Max. pressure</b>	370 bar
<b>Hydraulic pump regulation and control</b>	2 circuit Liebherr-Synchron-Comfort-system (LSC) with electronic engine speed sensing regulation, pressure and flow compensation, automatic oil flow optimizer
<b>Hydraulic tank</b>	265 l
<b>Hydraulic system</b>	910 l
<b>Filtration</b>	2 main return filters with integrated partial micro filtration (5 µm)
<b>MODE selection</b>	Adjustment of engine and hydraulic performance via a mode pre-selector to match application, e.g. for especially economical and environmentally friendly operation or for maximum material handling and heavy-duty jobs
<b>S (Sensitive)</b>	Mode for precision work and lifting through very sensitive movements
<b>E (Eco)</b>	Mode for especially economical and environmentally friendly operation
<b>P (Power)</b>	Mode for high performance with low fuel consumption
<b>P+ (Power-Plus)</b>	Mode for highest performance and for very heavy duty applications, suitable for continuous operation
<b>Engine speed and performance setting</b>	Stepless alignment of engine output and hydraulic power via engine speed
<b>Option</b>	Tool Control: 20 pre-adjustable pump flows and pressures for add-on attachments

## Swing drive

<b>Drive</b>	Liebherr axial piston motor in a closed system, Liebherr planetary reduction gear
<b>Swing ring</b>	Liebherr, sealed race ball bearing swing ring, internal teeth
<b>Swing speed</b>	0-6.5 RPM stepless
<b>Swing torque</b>	118 kNm
<b>Holding brake</b>	Wet multi-disc (spring applied, pressure released)
<b>Option</b>	Slewing gear brake Comfort

## Cab

<b>Cab</b>	Safety cab structure with individual windscreens or featuring a slide-in subpart under the ceiling, work headlights integrated in the ceiling, a door with a sliding window (can be opened on both sides), large stowing and depositing possibilities, shock-absorbing suspension, sound damping insulating, tinted laminated safety glass, separate shades for the sunroof window and windscreen
High Rise	Deviating from standard: safety cab structure with fixed built-in front and roof window made from impact-resistant laminated safety glass
<b>Operator's seat Comfort</b>	Air cushioned operator's seat with 3D-adjustable armrests, headrest, lap belt, seat heater, adjustable seat cushion inclination and length, lockable horizontal suspension, automatic weight adjustment, adjustable suspension stiffness, pneumatic lumbar vertebrae support and passive seat climatisation with active coal
<b>Operator's seat Premium (Option)</b>	In addition to operator's seat comfort: active electronic weight adjustment (automatic readjustment), pneumatic low frequency suspension and active seat climatisation with active coal and ventilator
<b>Arm consoles</b>	Joysticks with control consoles and swivel seat, folding left control console
<b>Operation and displays</b>	Large high-resolution operating unit, self-explanatory, colour display with touchscreen, video-compatible, numerous setting, control and monitoring options, e.g. air conditioning control, fuel consumption respectively energy consumption, machine and attachment parameters
<b>Air-conditioning</b>	
Diesel engine	Automatic air-conditioning, recirculated air function, fast de-icing and demisting at the press of a button, air vents can be operated via a menu; recirculated air and fresh air filters can be easily replaced and are accessible from the outside; heating-cooling unit, designed for extreme outside temperatures, sensors for solar radiation, inside and outside temperatures
Electric motor	In addition to diesel engine: stationary air conditioning function with external climate condenser – controlled by a weekly timer
Refrigerant	R134a
Global warming potential	1,430
Quantity at 25 °C*	1,400–2,000 g (Diesel) 1,500–2,100 g (Electric)
CO <sub>2</sub> equivalent*	2.002–2.860 t (Diesel) 2.145–3.003 t (Electric)
<b>Vibration emission**</b>	
Hand / arm vibrations	< 2.5 m/s <sup>2</sup>
Whole-body vibrations	< 0.5 m/s <sup>2</sup>
Measuring inaccuracy	According with standard EN 12096:1997

## Equipment

<b>Type</b>	Weight-optimised design for bulk and general cargo handling at optimal handling capacity. Complex and stable mountings of equipment and cylinders
<b>Hydraulic cylinders</b>	Liebherr cylinders with special sealing and guide system and, depending on cylinder type, shock absorption
<b>Energy recovering cylinder</b>	Liebherr gas cylinder with special sealing and control system
<b>Bearings</b>	Sealed, low maintenance

\* depending on configuration

\*\* for risk assessment according to 2002/44/EC see ISO/TR 25398:2006

## Undercarriage

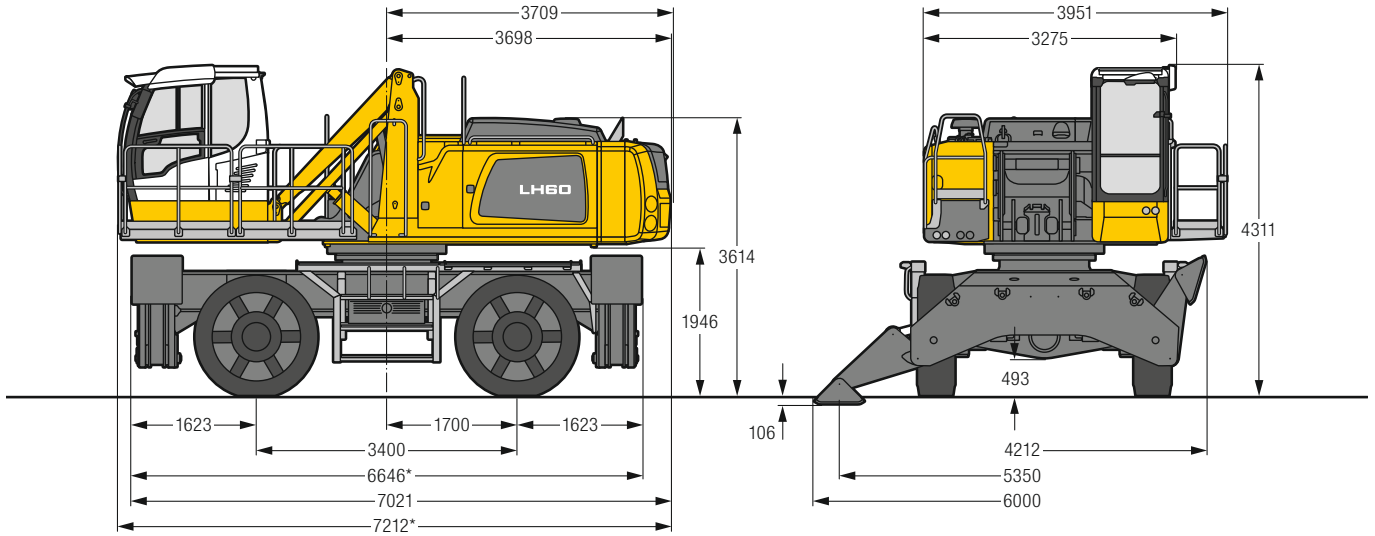
<b>Mobile</b>	
Versions	Standard, High Rise
Drive	One axle drive per drive axle with Liebherr axial piston motor and functional brake valve on both sides
Travel speed	0–12.0 km/h stepless
Joystick steering	0– 4.0 km/h stepless (creeper speed) (Diesel) 0– 3.7 km/h stepless (creeper speed) (Electric) 0–10.0 km/h stepless (High Rise) 0– 3.5 km/h stepless (creeper speed) (High Rise)
Driving operation	Automotive driving using accelerator pedal, cruise control function: storage of variable accelerator pedal positions
Axles	70 t / 90 t drive axles (LH 60 M / LH 60 M High Rise); manual or automatic hydraulically controlled front axle oscillation lock
Service brake	Two circuit travel brake system with accumulator; disc brake
Holding brake	Wet multi-disc (spring applied, pressure released)
Stabilization	4 point outriggers
<b>Crawler</b>	
Versions	SW, High Rise
Drive	Liebherr compact planetary reduction gear with Liebherr axial piston motor per side of undercarriage
Travel speed	0–4.0 km/h stepless 0–2.8 km/h stepless (creeper speed) 0–4.0 km/h stepless (High Rise) 0–2.5 km/h stepless (creeper speed) (High Rise)
Brake	Functional brake valves on both sides
Holding brake	Wet multi-disc (spring applied, pressure released)
Track pads	Triple grouser, flat
Tracks	Sealed and greased

## Complete machine

<b>Lubrication</b>	Liebherr central lubrication system for uppercarriage and equipment, automatically Liebherr central lubrication system for undercarriage, automatically
Mobile (Option)	
<b>Steps system</b>	Safe and durable access system with anti-slip steps; main components hot-galvanised
<b>Noise emission</b>	
ISO 6396 (Stage V)	70 dB(A) = L <sub>PA</sub> (inside cab)
2000/14/EC (Stage V)	103 dB(A) = L <sub>WA</sub> (surround noise)
ISO 6396 (Stage IIIA compliant)	not specified
2000/14/EC (Stage IIIA compliant)	not specified
ISO 6396 (Tier 4 Final)	70 dB(A) = L <sub>PA</sub> (inside cab)
2000/14/EC (Tier 4 Final)	103 dB(A) = L <sub>WA</sub> (surround noise)
ISO 6396 (Electric)	70 dB(A) = L <sub>PA</sub> (inside cab)
2000/14/EC (Electric)	103 dB(A) = L <sub>WA</sub> (surround noise)

# LH 60 M – Dimensions

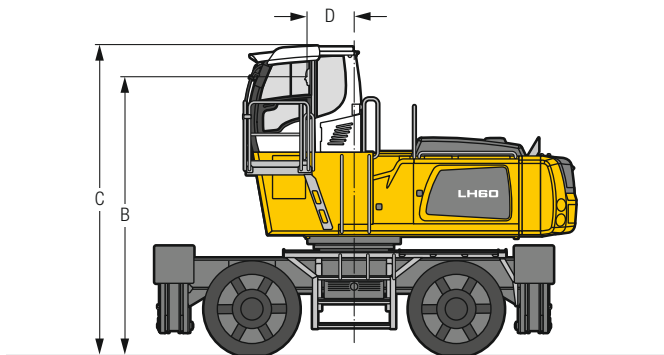
## Port



\* For electric machines, the length of the machine is increased accordingly by the trailing cable / cable reel system. Detailed dimensions are available on request.

# LH 60 M – Choice of cab elevation

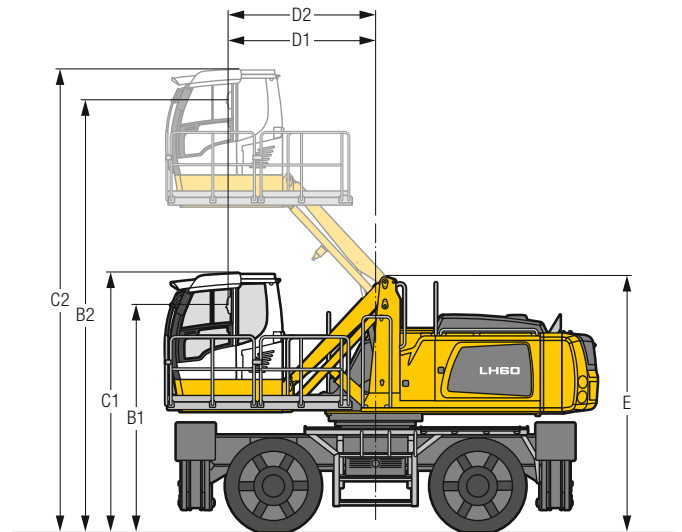
## Cab elevation LFC (rigid elevation)



Increase type	LFC 120
Height	1,200 mm
B	4,646 mm
C	5,159 mm
D	788 mm

A rigid cab elevation has a fixed eye level height. For a lower transport height, the shell of the cab can be removed and replaced by a transport device. The dimension C is in this machine design for all rigid cab elevations 4,263 mm.

## Cab elevation LHC (hydraulic elevation)



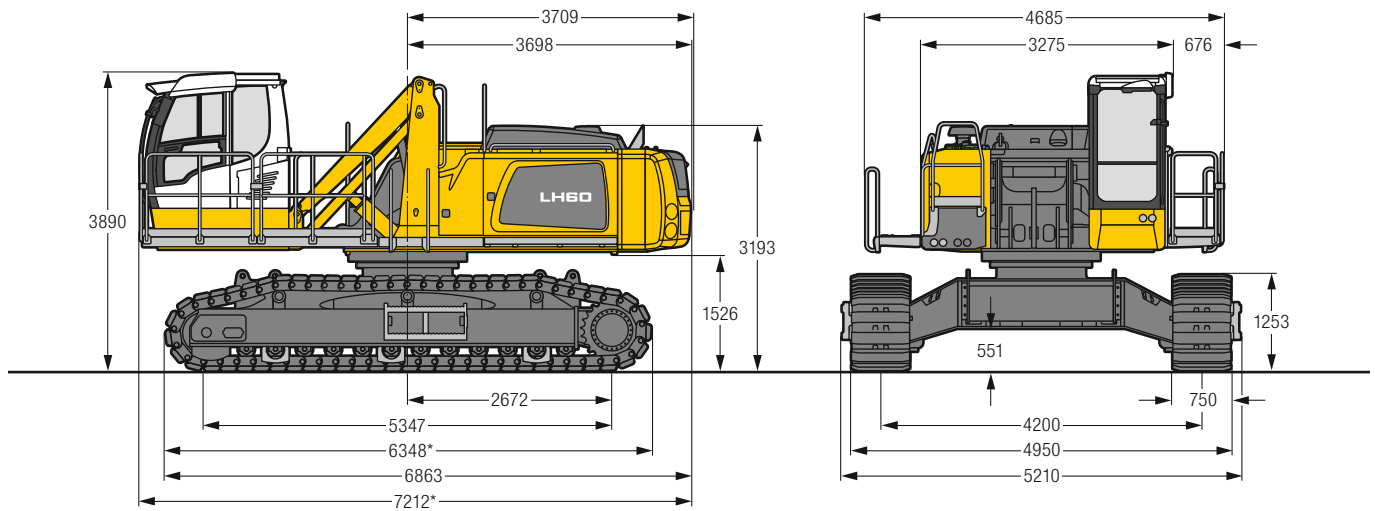
Increase type	LHC 255	LHC 340-35
B1	3,436 mm	3,797 mm
B2	5,983 mm	7,213 mm
C1	3,949 mm	4,311 mm
C2	6,496 mm	7,727 mm
D1	1,343 mm	2,457 mm
D2	1,469 mm	2,457 mm
E	3,851 mm	4,251 mm

The hydraulically adjustable cab allows the driver, that he can choose his field of view freely and at any time within the stroke.

Tyres 18.00-25

# LH 60 C – Dimensions

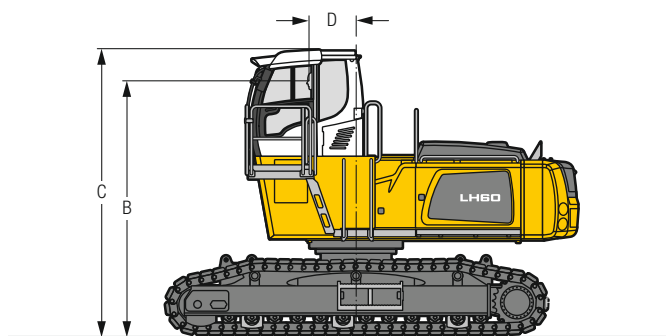
## Port



\* For electric machines, the length of the machine is increased accordingly by the trailing cable / cable reel system. Detailed dimensions are available on request.

# LH 60 C – Choice of cab elevation

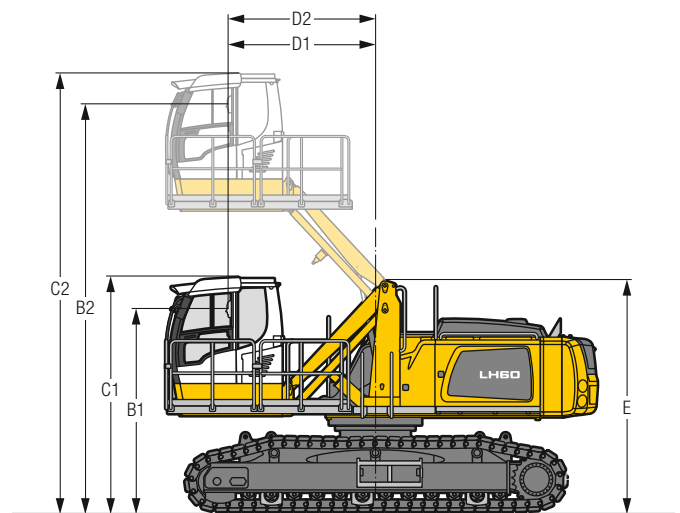
## Cab elevation LFC (rigid elevation)



Increase type	LFC 120
Height	1,200 mm
B	4,228 mm
C	4,741 mm
D	788 mm

A rigid cab elevation has a fixed eye level height. For a lower transport height, the shell of the cab can be removed and replaced by a transport device. The dimension C is in this machine design for all rigid cab elevations 3,845 mm.

## Cab elevation LHC (hydraulic elevation)

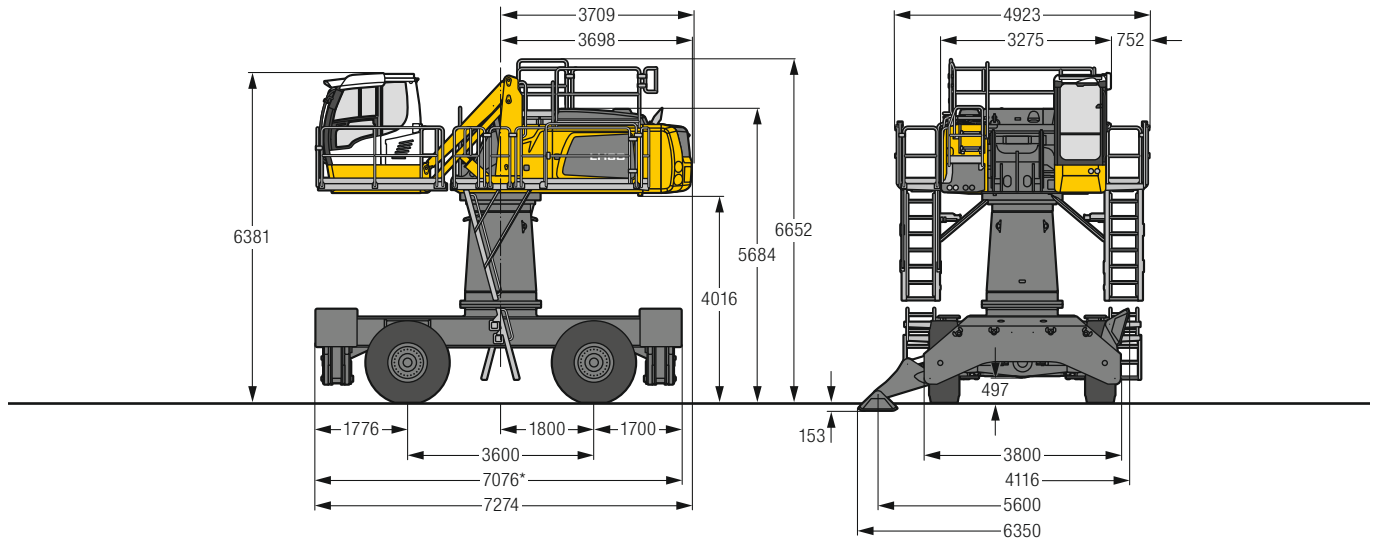


Increase type	LHC 255	LHC 340-35
B1	3,025 mm	3,377 mm
B2	5,572 mm	6,793 mm
C1	3,539 mm	3,890 mm
C2	6,086 mm	7,306 mm
D1	1,343 mm	2,457 mm
D2	1,469 mm	2,457 mm
E	3,441 mm	3,831 mm

The hydraulically adjustable cab allows the driver, that he can choose his field of view freely and at any time within the stroke.

# LH 60 M HR – Dimensions

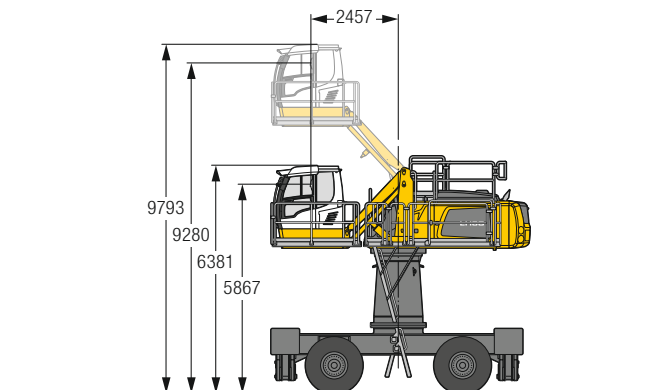
## Port



\* For electric machines, the length of the machine is increased accordingly by the trailing cable / cable reel system. Detailed dimensions are available on request.

# LH 60 M HR – Choice of cab elevation

## Cab elevation LHC (hydraulic elevation)

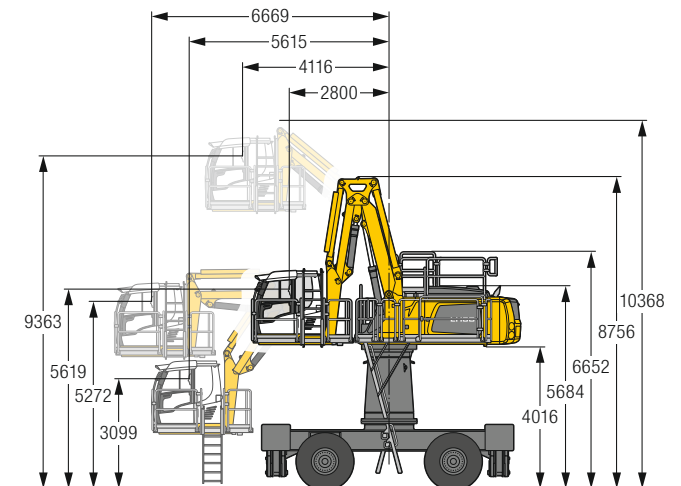


### Increase type

### LHC 340-35

The hydraulically adjustable cab allows the driver, that he can choose his field of view freely and at any time within the stroke.

## Cab elevation LHC-D (hydraulic elevation)



### Increase type

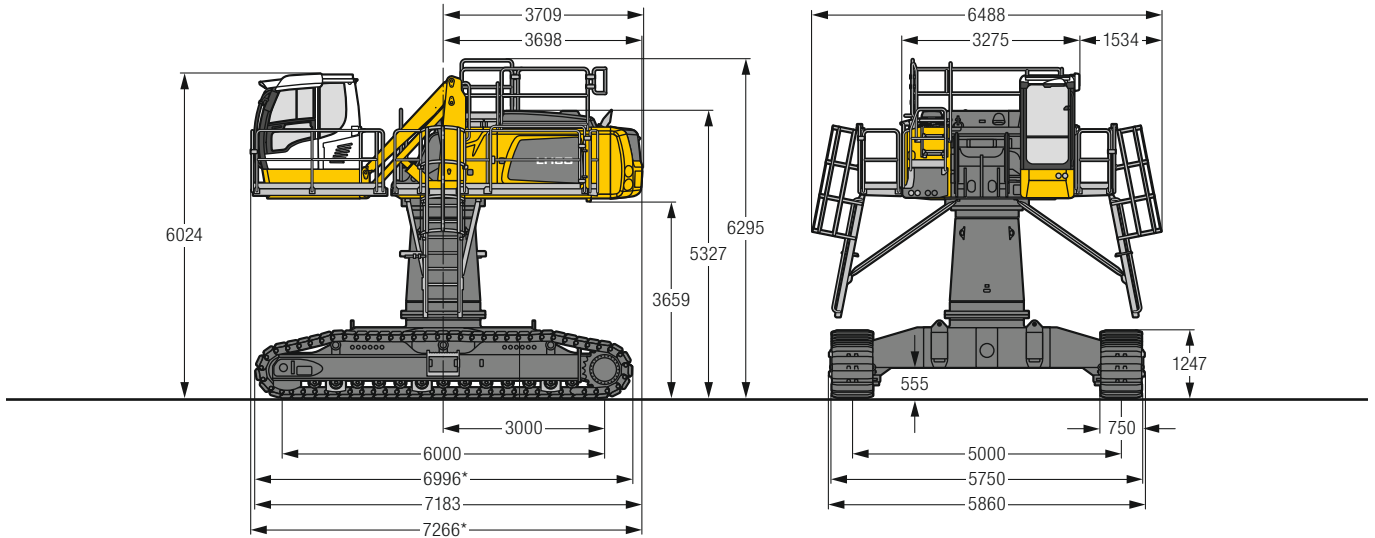
### LHC-D 730

The hydraulically adjustable cab allows the driver, that he can choose his field of view freely and at any time within the stroke.



# LH 60 C HR – Dimensions

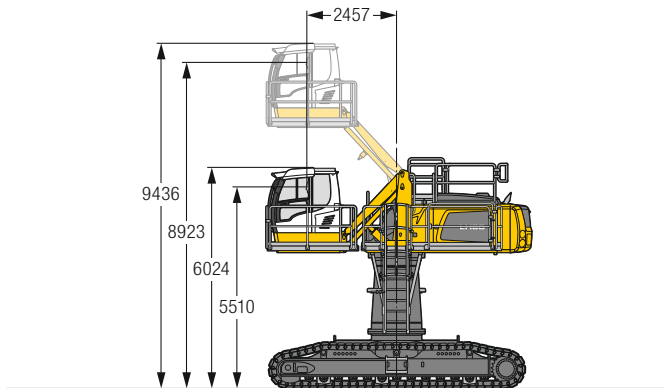
## Port



\* For electric machines, the length of the machine is increased accordingly by the trailing cable / cable reel system. Detailed dimensions are available on request.

# LH 60 C HR – Choice of cab elevation

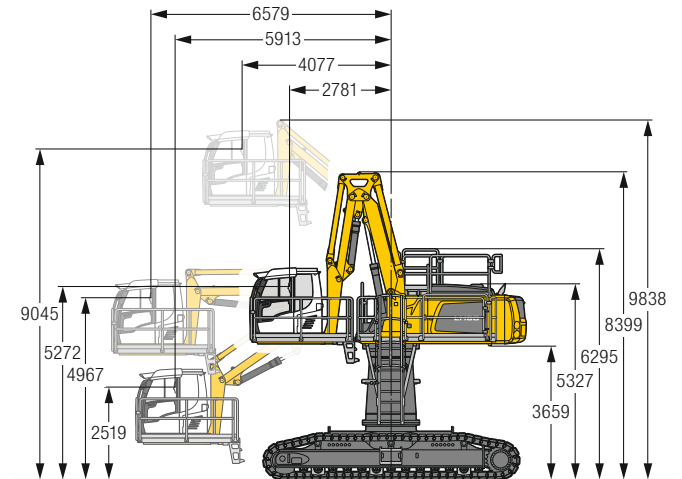
## Cab elevation LHC (hydraulic elevation)



**Increase type** LHC 340-35

The hydraulically adjustable cab allows the driver, that he can choose his field of view freely and at any time within the stroke.

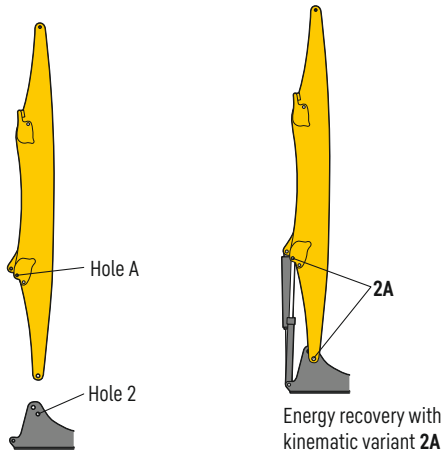
## Cab elevation LHC-D (hydraulic elevation)



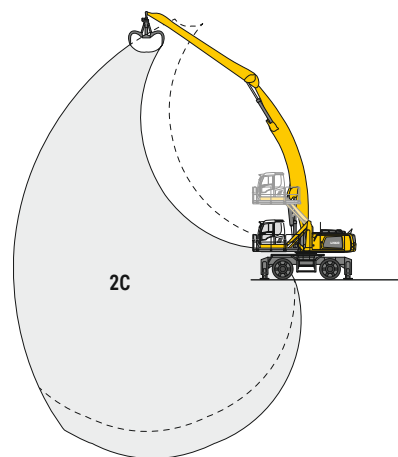
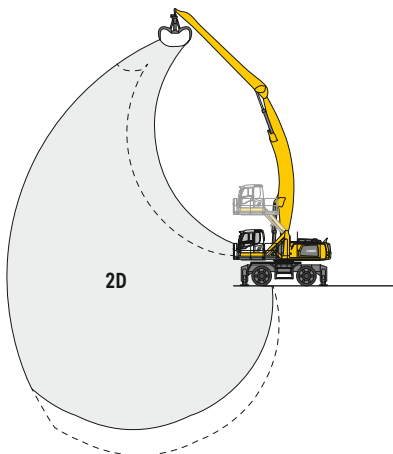
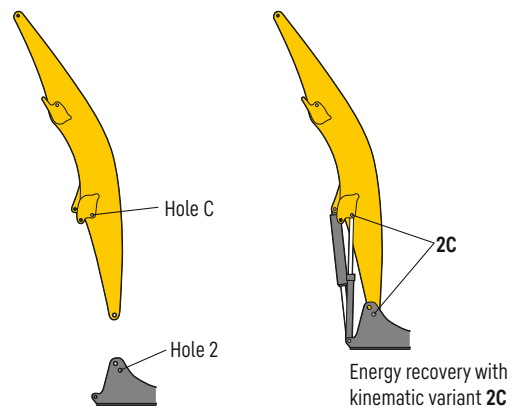
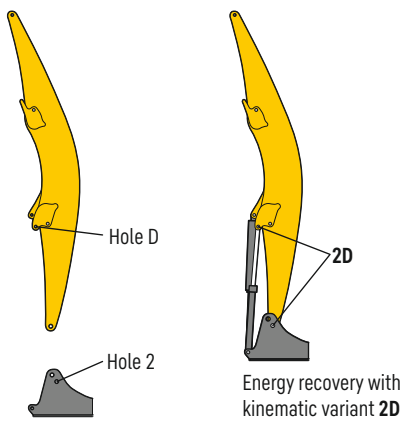
**Increase type** LHC-D 730

The hydraulically adjustable cab allows the driver, that he can choose his field of view freely and at any time within the stroke.

## Kinematic variant 2A



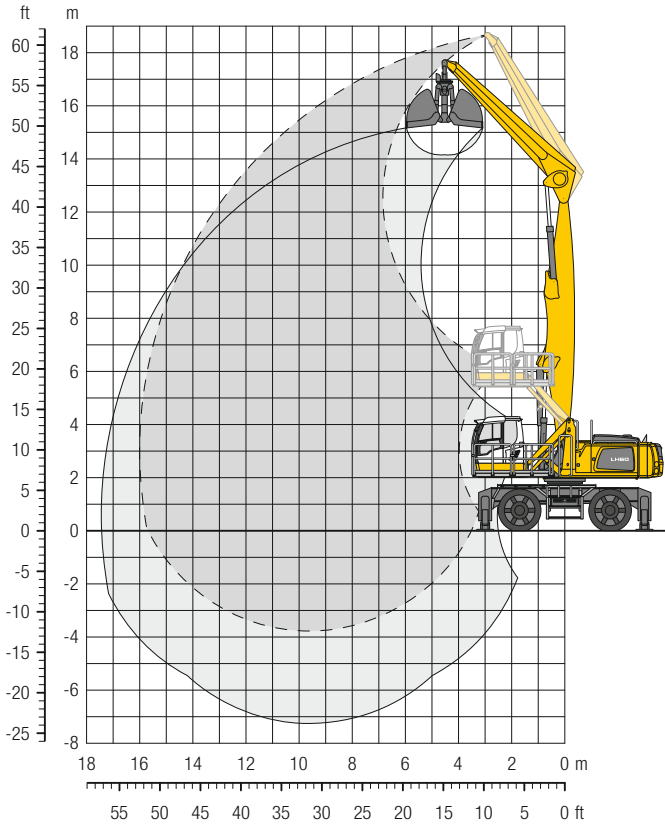
## Kinematic variant 2D / 2C



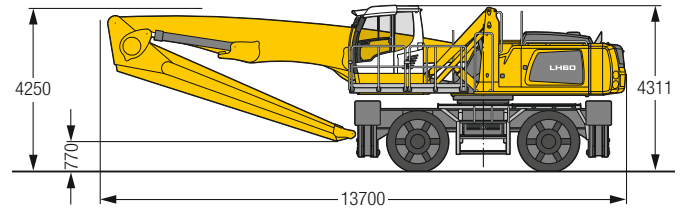
Altered range curve with additional reach depth, e.g. for unloading from ships

# LH 60 M – Equipment GG16

## Port – Kinematic 2A



### Dimensions



### Operating weight

The operating weight includes the basic machine with 4 point outriggers, hydr. cab elevation, 4 solid tyres, straight boom 9.50 m, straight stick 6.80 m and grab for loose material GMZ 80 / 6.00 m<sup>3</sup>.

Weight 63,900 kg

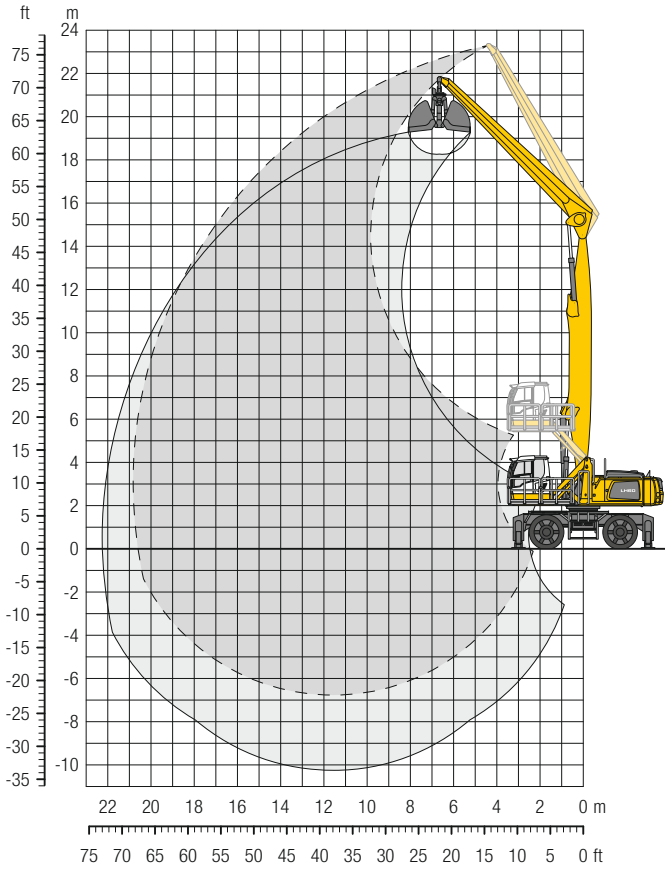
m	Undercarriage	6.0 m		7.5 m		9.0 m		10.5 m		12.0 m		13.5 m		15.0 m		16.5 m		18.0 m		19.5 m		21.0 m		22.5 m		Max. reach		m
		Can be slewed through 360°	In longitudinal position of undercarriage	Can be slewed through 360°	In longitudinal position of undercarriage	Can be slewed through 360°	In longitudinal position of undercarriage	Can be slewed through 360°	In longitudinal position of undercarriage	Can be slewed through 360°	In longitudinal position of undercarriage	Can be slewed through 360°	In longitudinal position of undercarriage	Can be slewed through 360°	In longitudinal position of undercarriage	Can be slewed through 360°	In longitudinal position of undercarriage	Can be slewed through 360°	In longitudinal position of undercarriage	Can be slewed through 360°	In longitudinal position of undercarriage	Can be slewed through 360°	In longitudinal position of undercarriage	Can be slewed through 360°	In longitudinal position of undercarriage	Can be slewed through 360°	In longitudinal position of undercarriage	
18.0	4 pt. outriggers down																									15.6*	15.6*	5.4
16.5	4 pt. outriggers down	16.9*	16.9*	14.6*	14.6*																					11.9*	11.9*	8.5
15.0	4 pt. outriggers down			16.1*	16.1*	14.4*	14.4*	10.6*	10.6*																	10.4*	10.4*	10.6
13.5	4 pt. outriggers down			15.7*	15.7*	14.1*	14.1*	12.9*	12.9*	9.8*	9.8*															9.5*	9.5*	12.1
12.0	4 pt. outriggers down			15.6*	15.6*	14.0*	14.0*	12.8*	12.8*	11.8*	11.8*															9.0*	9.0*	13.2
10.5	4 pt. outriggers down			15.8*	15.8*	14.1*	14.1*	12.8*	12.8*	11.8*	11.8*	10.9*	10.9*													8.7*	8.7*	14.1
9.0	4 pt. outriggers down	17.5*	17.5*	16.4*	16.4*	14.5*	14.5*	13.0*	13.0*	11.9*	11.9*	10.9*	10.9*													8.5*	8.5*	14.8
7.5	4 pt. outriggers down	19.3*	19.3*	17.2*	17.2*	15.0*	15.0*	13.3*	13.3*	12.0*	12.0*	11.0*	11.0*	9.9*	9.9*											8.4*	8.4*	15.4
6.0	4 pt. outriggers down	22.1*	22.1*	18.2*	18.2*	15.6*	15.6*	13.7*	13.7*	12.2*	12.2*	11.0*	11.0*	9.9	9.9*											8.4*	8.4*	15.7
4.5	4 pt. outriggers down	24.0*	24.0*	19.3*	19.3*	16.3*	16.3*	14.1*	14.1*	12.5*	12.5*	11.1*	11.1*	9.8	9.8*											8.5*	8.5*	15.9
3.0	4 pt. outriggers down	25.6*	25.6*	20.2*	20.2*	16.8*	16.8*	14.4*	14.4*	12.6*	12.6*	11.1*	11.1*	9.7*	9.7*											8.4*	8.4*	16.0
1.5	4 pt. outriggers down	15.8*	15.8*	20.7*	20.7*	17.1*	17.1*	14.5*	14.5*	12.5*	12.5*	10.9*	10.9*	9.3*	9.3*											7.8*	7.8*	15.9
0	4 pt. outriggers down	12.7*	12.7*	20.3*	20.3*	16.8*	16.8*	14.2*	14.2*	12.2*	12.2*	10.4*	10.4*	8.5*	8.5*											7.2*	7.2*	15.7
-1.5	4 pt. outriggers down	12.9*	12.9*	19.1*	19.1*	16.0*	16.0*	13.5*	13.5*	11.4*	11.4*	9.5*	9.5*													7.7*	7.7*	14.7
-3.0	4 pt. outriggers down			16.8*	16.8*	14.3*	14.3*	12.1*	12.1*	10.0*	10.0*															9.0*	9.0*	12.8

Height Can be slewed through 360° In longitudinal position of undercarriage Max. reach \* Limited by hydr. capacity

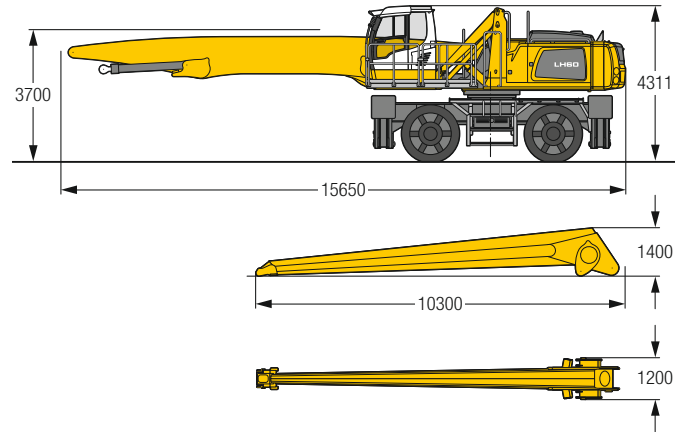
The lift capacities on the stick end without attachment are stated in metric tons (t) and are valid on a firm, level supporting surface with blocked oscillating axle. These capacities can be slewed through 360° with the undercarriage in the transverse position. Capacities in the longitudinal position of the undercarriage (±15°) are specified over the rigid axle with the stabilizers down. Indicated loads based on the ISO 10567 standard and do not exceed 75% of tipping or 87% of hydraulic capacity. The lift capacity values indicated are attained at the corresponding operating temperature. This operating temperature is ensured by continuous movement of the boom. Weights of fitted attachments (grabs, load hooks, etc.) and load accommodation attachment are to be deducted from the lift capacity values. The lift capacity of the unit is limited by its stability, the lifting capability of the hydraulic elements, or the maximum permissible lifting capacity of the load hook. In accordance with the harmonised European Standard EN 474-5, hydraulic excavators used for lifting operations must be equipped with pipe fracture safety valves, an overload warning device, a load hook and a lift capacity chart.

# LH 60 M – Equipment GG21

## Port – Kinematic 2A



### Dimensions



### Operating weight

The operating weight includes the basic machine with 4 point outriggers, hydr. cab elevation, 4 solid tyres, straight boom 11,50 m, straight stick 9,80 m and grab for loose material GMZ 80 / 4,00 m<sup>3</sup>.

Weight 64.800 kg

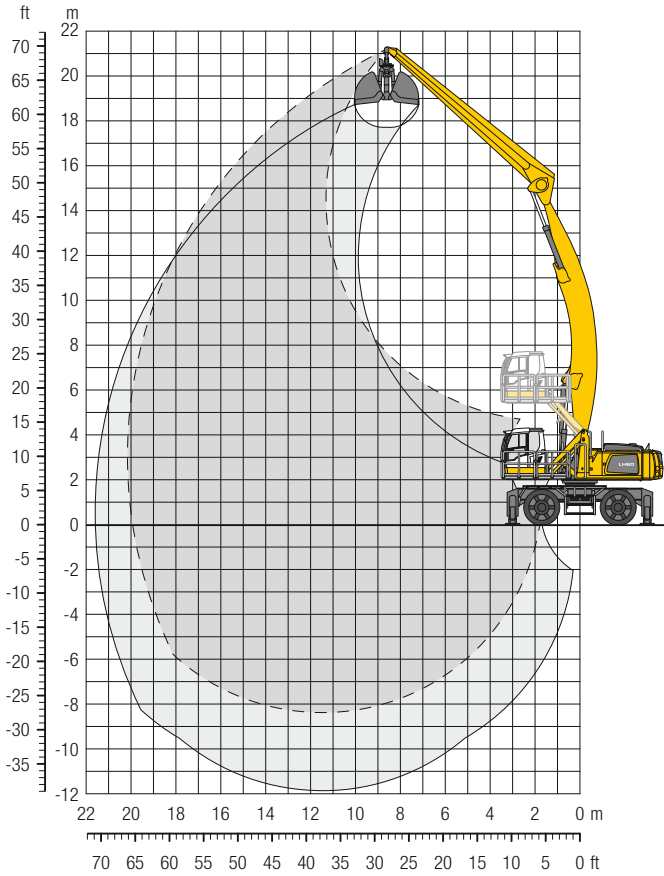
m	Undercarriage	6.0 m		7.5 m		9.0 m		10.5 m		12.0 m		13.5 m		15.0 m		16.5 m		18.0 m		19.5 m		21.0 m		22.5 m		m			
		Can be slewed through 360°	In longitudinal position of undercarriage	Can be slewed through 360°	In longitudinal position of undercarriage	Can be slewed through 360°	In longitudinal position of undercarriage	Can be slewed through 360°	In longitudinal position of undercarriage	Can be slewed through 360°	In longitudinal position of undercarriage	Can be slewed through 360°	In longitudinal position of undercarriage	Can be slewed through 360°	In longitudinal position of undercarriage	Can be slewed through 360°	In longitudinal position of undercarriage	Can be slewed through 360°	In longitudinal position of undercarriage	Can be slewed through 360°	In longitudinal position of undercarriage	Can be slewed through 360°	In longitudinal position of undercarriage	Can be slewed through 360°	In longitudinal position of undercarriage	Can be slewed through 360°	In longitudinal position of undercarriage	Max. reach	* Limited by hydr. capacity
22.5	4 pt. outriggers down	12.1*	12.1*																								10.5*	10.5*	7.1
21.0	4 pt. outriggers down			11.6*	11.6*																						8.3*	8.3*	10.4
19.5	4 pt. outriggers down					10.2*	10.2*																				7.3*	7.3*	12.7
18.0	4 pt. outriggers down							10.1*	10.1*	8.4*	8.4*																6.7*	6.7*	14.4
16.5	4 pt. outriggers down							10.7*	10.7*	9.8*	9.8*	8.3*	8.3*	7.8*	7.8*												6.2*	6.2*	15.8
15.0	4 pt. outriggers down							10.6*	10.6*	9.7*	9.7*	8.9*	8.9*	8.3*	8.3*	7.1*	7.1*										6.0*	6.0*	17.0
13.5	4 pt. outriggers down							10.6*	10.6*	9.7*	9.7*	8.9*	8.9*	8.3*	8.3*	7.7*	7.7*										5.8*	5.8*	18.0
12.0	4 pt. outriggers down							10.7*	10.7*	9.7*	9.7*	8.9*	8.9*	8.3*	8.3*	7.2*	7.2*	7.2*	7.2*								5.6*	5.6*	18.8
10.5	4 pt. outriggers down					11.9*	11.9*	10.9*	10.9*	9.9*	9.9*	9.0*	9.0*	8.3*	8.3*	7.7*	7.7*	7.2*	7.2*								5.5*	5.5*	19.4
9.0	4 pt. outriggers down					12.4*	12.4*	11.1*	11.1*	10.0*	10.0*	9.2*	9.2*	8.4*	8.4*	7.8*	7.8*	7.2*	7.2*	6.5	6.6*						5.5*	5.5*	19.9
7.5	4 pt. outriggers down			12.1*	12.1*	13.0*	13.0*	11.5*	11.5*	10.3*	10.3*	9.3*	9.3*	8.5*	8.5*	7.8*	7.8*	7.2*	7.2*	6.4	6.6*						5.5*	5.5*	20.3
6.0	4 pt. outriggers down	12.1*	12.1*	14.8*	14.8*	13.6*	13.6*	11.9*	11.9*	10.6*	10.6*	9.5*	9.5*	8.6*	8.6*	7.9*	7.9*	7.2*	7.2*	6.3	6.6*						5.5*	5.5*	20.6
4.5	4 pt. outriggers down	21.1*	21.1*	17.0*	17.0*	14.2*	14.2*	12.3*	12.3*	10.8*	10.8*	9.7*	9.7*	8.7*	8.7*	7.9*	7.9*	7.2*	7.2*	6.3	6.5*						5.6*	5.6*	20.8
3.0	4 pt. outriggers down	22.5*	22.5*	17.8*	17.8*	14.8*	14.8*	12.6*	12.6*	11.1*	11.1*	9.8*	9.8*	8.8*	8.8*	7.9*	7.9*	7.0	7.2*	6.2	6.4*						5.4*	5.4*	20.8
1.5	4 pt. outriggers down	11.6*	11.6*	18.4*	18.4*	15.2*	15.2*	12.9*	12.9*	11.2*	11.2*	9.9*	9.9*	8.8*	8.8*	7.9*	7.9*	6.9	7.1*	6.1	6.2*						5.1*	5.1*	20.8
0	4 pt. outriggers down	7.6*	7.6*	18.6*	18.6*	15.3*	15.3*	13.0*	13.0*	11.2*	11.2*	9.9*	9.9*	8.7*	8.7*	7.7	7.8*	6.8	6.8*	5.8*	5.8*						4.8*	4.8*	20.6
-1.5	4 pt. outriggers down	7.0*	7.0*	14.2*	14.2*	15.1*	15.1*	12.8*	12.8*	11.1*	11.1*	9.7*	9.7*	8.5*	8.5*	7.5*	7.5*	6.5*	6.5*	5.3*	5.3*						4.4*	4.4*	20.3
-3.0	4 pt. outriggers down	7.4*	7.4*	12.8*	12.8*	14.5*	14.5*	12.4*	12.4*	10.7*	10.7*	9.3*	9.3*	8.1*	8.1*	7.0*	7.0*	5.9*	5.9*								4.6*	4.6*	19.3
-4.5	4 pt. outriggers down	8.1*	8.1*	12.8*	12.8*	13.3*	13.3*	11.5*	11.5*	9.9*	9.9*	8.6*	8.6*	7.4*	7.4*	6.3*	6.3*										5.1*	5.1*	17.9
-6.0	4 pt. outriggers down					11.6*	11.6*	10.1*	10.1*	8.8*	8.8*	7.6*	7.6*	6.4*	6.4*												6.0*	6.0*	15.4

Height Can be slewed through 360° In longitudinal position of undercarriage Max. reach \* Limited by hydr. capacity

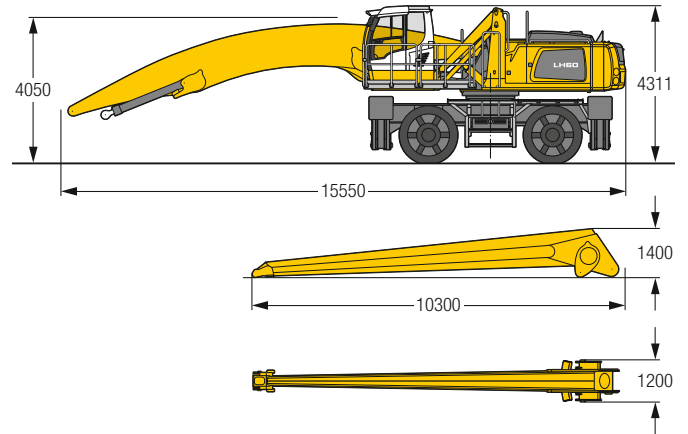
The lift capacities on the stick end without attachment are stated in metric tons (t) and are valid on a firm, level supporting surface with blocked oscillating axle. These capacities can be slewed through 360° with the undercarriage in the transverse position. Capacities in the longitudinal position of the undercarriage (±15°) are specified over the rigid axle with the stabilizers down. Indicated loads based on the ISO 10567 standard and do not exceed 75% of tipping or 87% of hydraulic capacity. The lift capacity values indicated are attained at the corresponding operating temperature. This operating temperature is ensured by continuous movement of the boom. Weights of fitted attachments (grabs, load hooks, etc.) and load accommodation attachment are to be deducted from the lift capacity values. The lift capacity of the unit is limited by its stability, the lifting capability of the hydraulic elements, or the maximum permissible lifting capacity of the load hook. In accordance with the harmonised European Standard EN 474-5, hydraulic excavators used for lifting operations must be equipped with pipe fracture safety valves, an overload warning device, a load hook and a lift capacity chart.

# LH 60 M – Equipment AG20

## Port – Kinematic 2D



### Dimensions



### Operating weight

The operating weight includes the basic machine with 4 point outriggers, hydr. cab elevation, 4 solid tyres, angled boom 11.50 m, straight stick 9.80 m and grab for loose material GMZ 80 / 4.00 m<sup>3</sup>.

Weight 65,300 kg

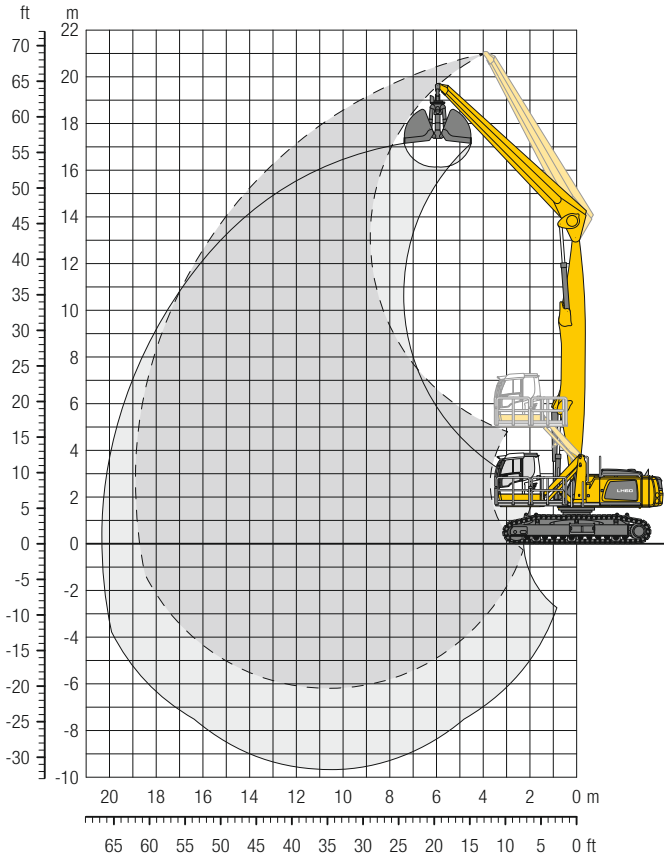
m	Undercarriage	6.0 m		7.5 m		9.0 m		10.5 m		12.0 m		13.5 m		15.0 m		16.5 m		18.0 m		19.5 m		21.0 m		22.5 m		Grab		m		
		Left	Right	Left	Right	Left	Right	Left	Right	Left	Right	Left	Right	Left	Right	Left	Right	Left	Right	Left	Right	Left	Right	Left	Right	Left	Right			
21.0	4 pt. outriggers down																											7.8*	7.8*	9.0
19.5	4 pt. outriggers down							8.1*	8.1*																			6.8*	6.8*	11.5
18.0	4 pt. outriggers down									8.1*	8.1*																	6.3*	6.3*	13.4
16.5	4 pt. outriggers down									8.4*	8.4*	7.9*	7.9*															6.0*	6.0*	15.0
15.0	4 pt. outriggers down									8.3*	8.3*	7.8*	7.8*	7.3*	7.3*													5.7*	5.7*	16.2
13.5	4 pt. outriggers down									8.3*	8.3*	7.7*	7.7*	7.3*	7.3*	6.8*	6.8*											5.6*	5.6*	17.2
12.0	4 pt. outriggers down									8.4*	8.4*	7.8*	7.8*	7.3*	7.3*	6.9*	6.9*	5.6*	5.6*									5.5*	5.5*	18.0
10.5	4 pt. outriggers down							9.3*	9.3*	8.5*	8.5*	7.9*	7.9*	7.4*	7.4*	6.9*	6.9*	6.6*	6.6*									5.5*	5.5*	18.7
9.0	4 pt. outriggers down							9.6*	9.6*	8.7*	8.7*	8.0*	8.0*	7.5*	7.5*	7.0*	7.0*	6.6*	6.6*									5.5*	5.5*	19.3
7.5	4 pt. outriggers down					11.2*	11.2*	10.0*	10.0*	9.0*	9.0*	8.2*	8.2*	7.6*	7.6*	7.1*	7.1*	6.6*	6.6*	5.9*	5.9*							5.5*	5.5*	19.7
6.0	4 pt. outriggers down			13.8*	13.8*	11.9*	11.9*	10.4*	10.4*	9.3*	9.3*	8.5*	8.5*	7.8*	7.8*	7.2*	7.2*	6.7*	6.7*	6.3*	6.3*							5.6*	5.6*	19.9
4.5	4 pt. outriggers down	18.4*	18.4*	14.9*	14.9*	12.6*	12.6*	10.9*	10.9*	9.7*	9.7*	8.7*	8.7*	8.0*	8.0*	7.3*	7.3*	6.8*	6.8*	6.3*	6.3*							5.7*	5.7*	20.1
3.0	4 pt. outriggers down	20.2*	20.2*	16.0*	16.0*	13.3*	13.3*	11.4*	11.4*	10.0*	10.0*	9.0*	9.0*	8.1*	8.1*	7.4*	7.4*	6.8*	6.8*	6.2	6.3*							5.8	5.9*	20.2
1.5	4 pt. outriggers down	17.5*	17.5*	16.9*	16.9*	13.9*	13.9*	11.9*	11.9*	10.4*	10.4*	9.2*	9.2*	8.3*	8.3*	7.5*	7.5*	6.9*	6.9*	6.1	6.3*							5.8	6.0*	20.1
0	4 pt. outriggers down	10.9*	10.9*	17.6*	17.6*	14.4*	14.4*	12.2*	12.2*	10.6*	10.6*	9.4*	9.4*	8.4*	8.4*	7.6*	7.6*	6.8	6.9*	6.0	6.1*							5.8	5.9*	19.9
-0.5	4 pt. outriggers down	9.4*	9.4*	17.2*	17.2*	14.7*	14.7*	12.4*	12.4*	10.7*	10.7*	9.5*	9.5*	8.4*	8.4*	7.5*	7.5*	6.7	6.8*	5.9*	5.9*							5.8*	5.8*	19.7
-3.0	4 pt. outriggers down	9.2*	9.2*	14.9*	14.9*	14.6*	14.6*	12.4*	12.4*	10.7*	10.7*	9.4*	9.4*	8.3*	8.3*	7.4*	7.4*	6.5*	6.5*									5.7*	5.7*	19.2
-4.5	4 pt. outriggers down	9.5*	9.5*	14.2*	14.2*	14.2*	14.2*	12.1*	12.1*	10.5*	10.5*	9.2*	9.2*	8.1*	8.1*	7.1*	7.1*	6.1*	6.1*									5.5*	5.5*	18.7
-6.0	4 pt. outriggers down	10.0*	10.0*	14.2*	14.2*	13.4*	13.4*	11.5*	11.5*	10.0*	10.0*	8.7*	8.7*	7.6*	7.6*	6.5*	6.5*											5.3*	5.3*	17.9
-7.5	4 pt. outriggers down			14.1*	14.1*	12.2*	12.2*	10.5*	10.5*	9.1*	9.1*	7.9*	7.9*	6.7*	6.7*													6.3*	6.3*	15.6

Height Can be slewed through 360° In longitudinal position of undercarriage Max. reach \* Limited by hydr. capacity

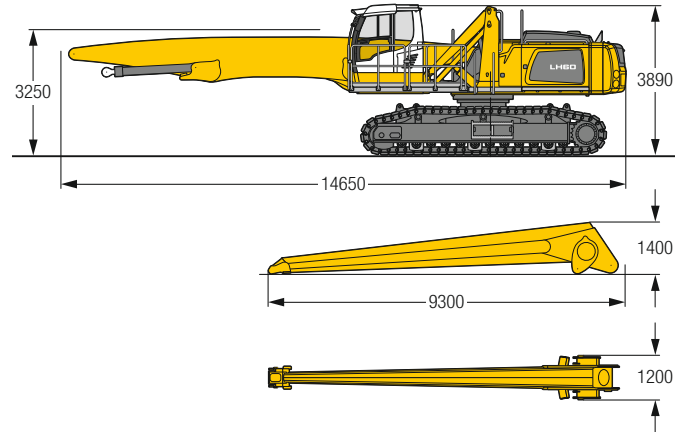
The lift capacities on the stick end without attachment are stated in metric tons (t) and are valid on a firm, level supporting surface with blocked oscillating axle. These capacities can be slewed through 360° with the undercarriage in the transverse position. Capacities in the longitudinal position of the undercarriage (±15°) are specified over the rigid axle with the stabilizers down. Indicated loads based on the ISO 10567 standard and do not exceed 75% of tipping or 87% of hydraulic capacity. The lift capacity values indicated are attained at the corresponding operating temperature. This operating temperature is ensured by continuous movement of the boom. Weights of fitted attachments (grabs, load hooks, etc.) and load accommodation attachment are to be deducted from the lift capacity values. The lift capacity of the unit is limited by its stability, the lifting capability of the hydraulic elements, or the maximum permissible lifting capacity of the load hook. In accordance with the harmonised European Standard EN 474-5, hydraulic excavators used for lifting operations must be equipped with pipe fracture safety valves, an overload warning device, a load hook and a lift capacity chart.

# LH 60 C – Equipment GG19

## Port – Kinematic 2A



### Dimensions



### Operating weight and ground pressure

The operating weight includes the basic machine with hydr. cab elevation, straight boom 10.50 m, straight stick 8.80 m and grab for loose material GMZ 80 / 4.00 m<sup>3</sup>.

Weight	66,000 kg
Pad width	750 mm
Ground pressure	on request

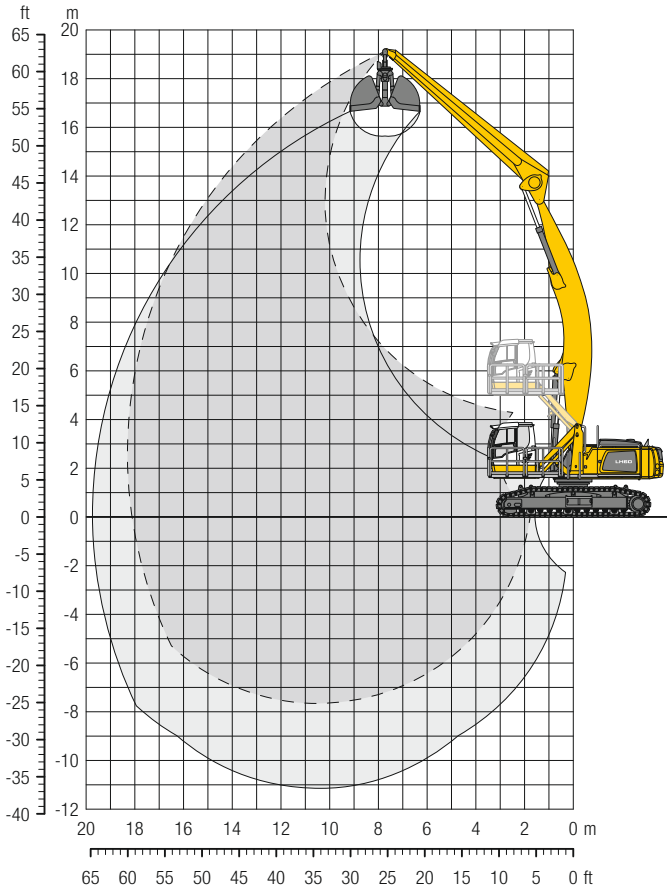
m	Undercarriage	6.0 m		7.5 m		9.0 m		10.5 m		12.0 m		13.5 m		15.0 m		16.5 m		18.0 m		19.5 m		21.0 m		22.5 m		Grab		m			
		SW	SW	SW	SW	SW	SW	SW	SW	SW	SW	SW	SW	SW	SW	SW	SW	SW	SW	SW	SW	SW	SW	SW	SW	SW	SW				
19.5	SW			11.6*	11.6*																					10.3*	10.3*	8.2			
18.0	SW			12.9*	12.9*																							8.6*	8.6*	10.8	
16.5	SW					11.5*	11.5*	9.3*	9.3*																			7.7*	7.7*	12.7	
15.0	SW					12.4*	12.4*	11.2*	11.2*	9.3*	9.3*																		7.2*	7.2*	14.2
13.5	SW					12.3*	12.3*	11.2*	11.2*	10.4*	10.4*	9.7*	9.7*	7.9*	7.9*														6.8*	6.8*	15.4
12.0	SW					12.4*	12.4*	11.2*	11.2*	10.3*	10.3*	9.6*	9.6*	8.5	9.0*														6.5*	6.5*	16.3
10.5	SW					12.5*	12.5*	11.4*	11.4*	10.4*	10.4*	9.6*	9.6*	8.5	9.0*	7.2	8.2*												6.4*	6.4*	17.1
9.0	SW					12.9*	12.9*	11.6*	11.6*	10.6*	10.6*	9.7*	9.7*	8.5	9.0*	7.1	8.4*												6.2	6.3*	17.8
7.5	SW					13.8*	13.8*	13.4*	13.4*	12.0*	12.0*	10.8*	10.8*	9.9*	9.9*	8.3	9.1*	7.1	8.4*	6.0	7.1*								5.9	6.2*	18.2
6.0	SW	13.4*	13.4*	16.0*	16.0*	14.0*	14.0*	12.4*	12.4*	11.1*	11.1*	9.7	10.1*	8.2	9.2*	7.0	8.4*	6.0	7.5									5.7	6.3*	18.6	
4.5	SW	19.8*	19.8*	17.3*	17.3*	14.7*	14.7*	12.8*	12.8*	11.3	11.4*	9.4	10.2*	8.0	9.3*	6.9	8.4*	5.9	7.5									5.5	6.3*	18.8	
3.0	SW	23.1*	23.1*	18.4*	18.4*	15.4*	15.4*	13.3*	13.3*	10.9	11.7*	9.2	10.4*	7.8	9.4*	6.7	8.4*	5.9	7.4									5.4	6.4*	18.9	
1.5	SW	24.2*	24.2*	19.2*	19.2*	15.9*	15.9*	12.8	13.6*	10.5	11.9*	8.9	10.5*	7.6	9.3*	6.6	8.3*	5.8	7.2*									5.4	6.3*	18.9	
0	SW	11.6*	11.6*	19.6*	19.6*	15.2	16.2*	12.3	13.7*	10.2	11.9*	8.7	10.5*	7.5	9.2*	6.5	8.1*	5.7	6.8*									5.4	5.9*	18.7	
-1.5	SW	9.8*	9.8*	19.0	19.4*	14.7	16.1*	11.9	13.6*	9.9	11.7*	8.5	10.2*	7.3	8.9*	6.4	7.6*	5.7	6.1*									5.5*	5.5*	18.4	
-3.0	SW	9.9*	9.9*	18.4*	18.4*	14.4	15.4*	11.6	13.1*	9.7	11.3*	8.3	9.7*	7.2	8.3*	6.4	6.9*											5.8*	5.8*	17.4	
-4.5	SW	10.7*	10.7*	16.7*	16.7*	14.2	14.2*	11.5	12.1*	9.6	10.4*	8.2	8.8*	7.2	7.4*													6.5*	6.5*	15.8	
-6.0	SW					12.2*	12.2*	10.5*	10.5*	8.9*	8.9*																	8.3*	8.3*	12.6	

Height Can be slewed through 360° In longitudinal position of undercarriage Max. reach \* Limited by hydr. capacity

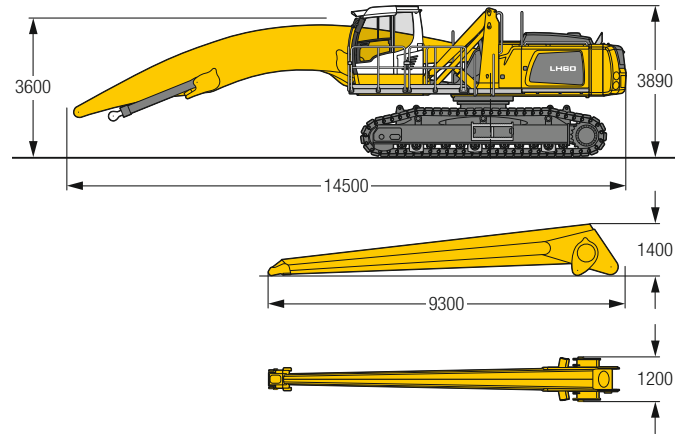
The lift capacities on the stick end without attachment are stated in metric tons (t) and can be slewed through 360° on a firm, level supporting surface. Capacities are valid for 750 mm wide triple grouser pads (resp. flat pads). Indicated loads based on the ISO 10567 standard and do not exceed 75% of tipping or 87% of hydraulic capacity. The lift capacity values indicated are attained at the corresponding operating temperature. This operating temperature is ensured by continuous movement of the boom. Weights of fitted attachments (grabs, load hooks, etc.) and load accommodation attachment are to be deducted from the lift capacity values. The lift capacity of the unit is limited by its stability, the lifting capability of the hydraulic elements, or the maximum permissible lifting capacity of the load hook. In accordance with the harmonised European Standard EN 474-5, hydraulic excavators used for lifting operations must be equipped with pipe fracture safety valves, an overload warning device, a load hook and a lift capacity chart.

# LH 60 C – Equipment AG18

## Port – Kinematic 2D



### Dimensions



### Operating weight and ground pressure

The operating weight includes the basic machine with hydr. cab elevation, angled boom 10.50 m, straight stick 8.80 m and grab for loose material GMZ 80 / 4.00 m<sup>3</sup>.

Weight	66,500 kg
Pad width	750 mm
Ground pressure	on request

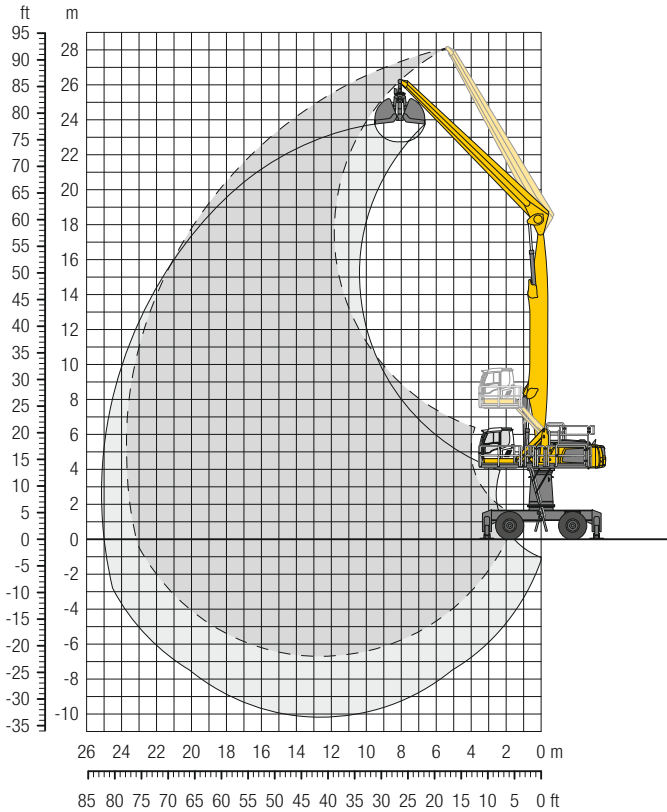
m	Undercarriage	6.0 m		7.5 m		9.0 m		10.5 m		12.0 m		13.5 m		15.0 m		16.5 m		18.0 m		19.5 m		21.0 m		22.5 m		Max. reach		m		
		SW	SW	SW	SW	SW	SW	SW	SW	SW	SW	SW	SW	SW	SW	SW	SW	SW	SW	SW	SW	SW	SW	SW	SW	SW	SW			
18.0	SW			9.2*	9.2*																					8.1*	8.1*	9.7		
16.5	SW							9.3*	9.3*																			7.3*	7.3*	11.8
15.0	SW							9.8*	9.8*	9.1*	9.1*																	6.8*	6.8*	13.4
13.5	SW							9.6*	9.6*	9.0*	9.0*	8.6*	8.6*															6.5*	6.5*	14.6
12.0	SW							9.6*	9.6*	9.0*	9.0*	8.5*	8.5*	7.8*	7.8*													6.4*	6.4*	15.7
10.5	SW							9.8*	9.8*	9.1*	9.1*	8.5*	8.5*	8.1*	8.1*													6.3*	6.3*	16.5
9.0	SW							10.0*	10.0*	9.3*	9.3*	8.6*	8.6*	8.1*	8.1*	7.2	7.7*											6.2*	6.2*	17.1
7.5	SW					11.5*	11.5*	10.4*	10.4*	9.5*	9.5*	8.8*	8.8*	8.2*	8.2*	7.1	7.7*											6.3*	6.3*	17.6
6.0	SW			14.0*	14.0*	12.2*	12.2*	10.9*	10.9*	9.9*	9.9*	9.1*	9.1*	8.3	8.4*	7.0	7.8*											6.0	6.3*	18.0
4.5	SW	18.5*	18.5*	15.2*	15.2*	13.0*	13.0*	11.4*	11.4*	10.2*	10.2*	9.3*	9.3*	8.1	8.6*	6.9	7.9*	5.9	7.1*									5.8	6.5*	18.2
3.0	SW	20.6*	20.6*	16.5*	16.5*	13.8*	13.8*	12.0*	12.0*	10.6*	10.6*	9.3	9.6*	7.9	8.7*	6.7	8.0*	5.8	7.4									5.7	6.7*	18.3
1.5	SW	22.4*	22.4*	17.6*	17.6*	14.6*	14.6*	12.5*	12.5*	10.6	11.0*	8.9	9.8*	7.6	8.9*	6.6	8.1*	5.7	7.3									5.6	6.9*	18.3
0	SW	15.9*	15.9*	18.5*	18.5*	15.2*	15.2*	12.3	12.9*	10.2	11.3*	8.7	10.0*	7.4	9.0*	6.4	8.1*	5.7	7.2									5.6	7.1*	18.1
-1.5	SW	12.6*	12.6*	18.9*	18.9*	14.7	15.5*	11.9	13.2*	9.9	11.4*	8.4	10.1*	7.3	9.0*	6.3	8.0*											5.7	7.0*	17.8
-3.0	SW	11.9*	11.9*	18.4	18.8*	14.2	15.5*	11.6	13.2*	9.6	11.4*	8.2	10.0*	7.1	8.8*	6.3	7.7*											5.8	6.9*	17.4
-4.5	SW	12.1*	12.1*	18.1	18.1*	14.0	15.1*	11.3	12.9*	9.5	11.1*	8.1	9.6*	7.0	8.4*	6.2	7.0*											6.0	6.6*	16.9
-6.0	SW	12.7*	12.7*	16.8*	16.8*	13.8	14.2*	11.2	12.1*	9.4	10.4*	8.0	8.9*	7.0	7.5*													6.6	6.8*	15.7
-7.5	SW			12.6*	12.6*	10.8*	10.8*	9.2*	9.2*																			8.8*	8.8*	12.4

Height Can be slewed through 360° In longitudinal position of undercarriage Max. reach \* Limited by hydr. capacity

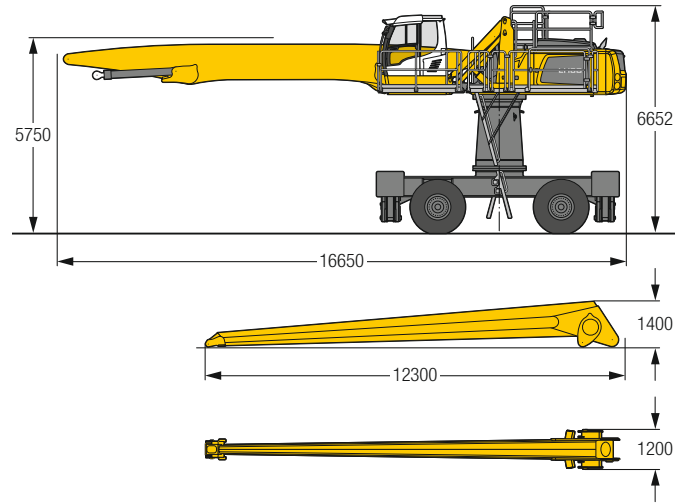
The lift capacities on the stick end without attachment are stated in metric tons (t) and can be slewed through 360° on a firm, level supporting surface. Capacities are valid for 750 mm wide triple grouser pads (resp. flat pads). Indicated loads based on the ISO 10567 standard and do not exceed 75% of tipping or 87% of hydraulic capacity. The lift capacity values indicated are attained at the corresponding operating temperature. This operating temperature is ensured by continuous movement of the boom. Weights of fitted attachments (grabs, load hooks, etc.) and load accommodation attachment are to be deducted from the lift capacity values. The lift capacity of the unit is limited by its stability, the lifting capability of the hydraulic elements, or the maximum permissible lifting capacity of the load hook. In accordance with the harmonised European Standard EN 474-5, hydraulic excavators used for lifting operations must be equipped with pipe fracture safety valves, an overload warning device, a load hook and a lift capacity chart.

# LH 60 M HR – Equipment GG24

## Port – Kinematic 2A



### Dimensions



### Operating weight

The operating weight includes the basic machine with 4 point outriggers, turret 2,000 mm, hydr. cab elevation, 4 solid tyres, straight boom 12.50 m, straight stick 11.80 m and grab for loose material GMZ 80 / 3.50 m<sup>3</sup>.

Weight 75,600 kg

m	Undercarriage	6.0 m		7.5 m		9.0 m		10.5 m		12.0 m		13.5 m		15.0 m		16.5 m		18.0 m		19.5 m		21.0 m		22.5 m		m				
		☐	☐	☐	☐	☐	☐	☐	☐	☐	☐	☐	☐	☐	☐	☐	☐	☐	☐	☐	☐	☐	☐	☐	☐	☐	☐	☐		
27.0	4 pt. outriggers down			9.6*	9.6*																					8.1*	8.1*	9.0		
25.5	4 pt. outriggers down																											6.7*	6.7*	12.0
24.0	4 pt. outriggers down					9.3*	9.3*																					5.9*	5.9*	14.3
22.5	4 pt. outriggers down							8.3*	8.3*																			5.4*	5.4*	16.1
21.0	4 pt. outriggers down									9.0*	9.0*																	5.1*	5.1*	17.6
19.5	4 pt. outriggers down																											4.8*	4.8*	18.8
18.0	4 pt. outriggers down									8.8*	8.8*																	4.6*	4.6*	19.9
16.5	4 pt. outriggers down																											4.5*	4.5*	20.8
15.0	4 pt. outriggers down									8.9*	8.9*																	4.4*	4.4*	21.5
13.5	4 pt. outriggers down																											4.4*	4.4*	22.2
12.0	4 pt. outriggers down																											4.7*	4.7*	22.7
10.5	4 pt. outriggers down																											4.3*	4.3*	23.1
9.0	4 pt. outriggers down																											4.3*	4.3*	23.4
7.5	4 pt. outriggers down																											4.3*	4.3*	23.6
6.0	4 pt. outriggers down	13.7*	13.7*	15.9*	15.9*	13.5*	13.5*	11.6*	11.6*	10.1*	10.1*																	4.4*	4.4*	23.7
4.5	4 pt. outriggers down	21.3*	21.3*	16.9*	16.9*	14.0*	14.0*	11.9*	11.9*	10.4*	10.4*																	4.2*	4.2*	23.7
3.0	4 pt. outriggers down	11.0*	11.0*	17.4*	17.4*	14.3*	14.3*	12.1*	12.1*	10.5*	10.5*																	4.0*	4.0*	23.6
1.5	4 pt. outriggers down	6.6*	6.6*	16.5*	16.5*	14.5*	14.5*	12.3*	12.3*	10.6*	10.6*																	4.4*	4.4*	23.4
0	4 pt. outriggers down	5.8*	5.8*	11.4*	11.4*	14.4*	14.4*	12.2*	12.2*	10.5*	10.5*																	4.0*	4.0*	23.1
-1.5	4 pt. outriggers down	5.9*	5.9*	10.0*	10.0*	13.9*	13.9*	11.9*	11.9*	10.2*	10.2*																	3.4*	3.4*	22.4
-3.0	4 pt. outriggers down	6.4*	6.4*	9.8*	9.8*	13.1*	13.1*	11.2*	11.2*	9.8*	9.8*																	3.7*	3.7*	21.2
-4.5	4 pt. outriggers down	7.0*	7.0*	10.0*	10.0*	11.8*	11.8*	10.3*	10.3*	9.0*	9.0*																	4.1*	4.1*	19.4
-6.0	4 pt. outriggers down					10.1*	10.1*	8.9*	8.9*	7.8*	7.8*																	5.0*	5.0*	16.5

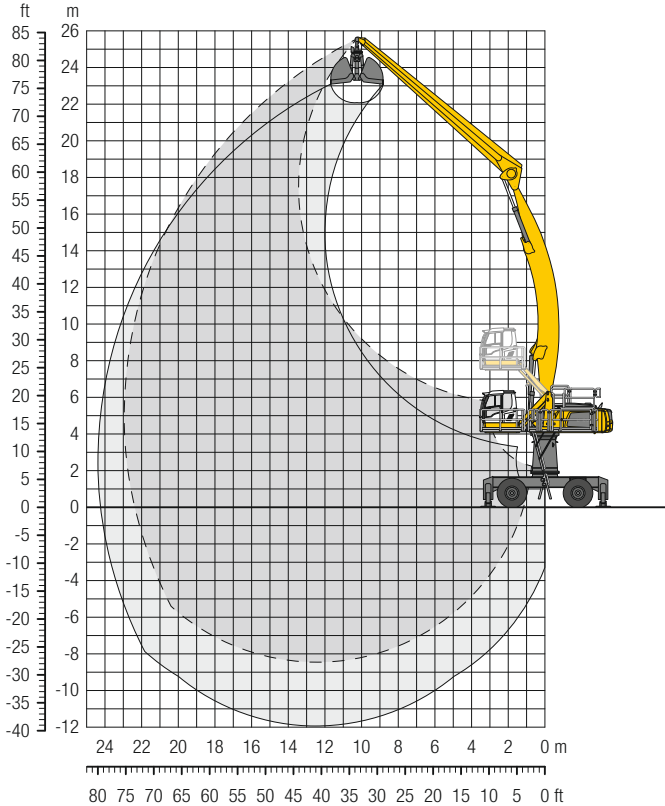
☐ Height ☐ Can be slewed through 360° ☐ In longitudinal position of undercarriage ☐ Max. reach \* Limited by hydr. capacity

The lift capacities on the stick end without attachment are stated in metric tons (t) and are valid on a firm, level supporting surface with blocked oscillating axle. These capacities can be slewed through 360° with the undercarriage in the transverse position. Capacities in the longitudinal position of the undercarriage (±15°) are specified over the rigid axle with the stabilizers down. Indicated loads based on the ISO 10567 standard and do not exceed 75% of tipping or 87% of hydraulic capacity. The lift capacity values indicated are attained at the corresponding operating temperature. This operating temperature is ensured by continuous movement of the boom. Weights of fitted attachments (grabs, load hooks, etc.) and load accommodation attachment are to be deducted from the lift capacity values. The lift capacity of the unit is limited by its stability, the lifting capability of the hydraulic elements, or the maximum permissible lifting capacity of the load hook. In accordance with the harmonised European Standard EN 474-5, hydraulic excavators used for lifting operations must be equipped with pipe fracture safety valves, an overload warning device, a load hook and a lift capacity chart.

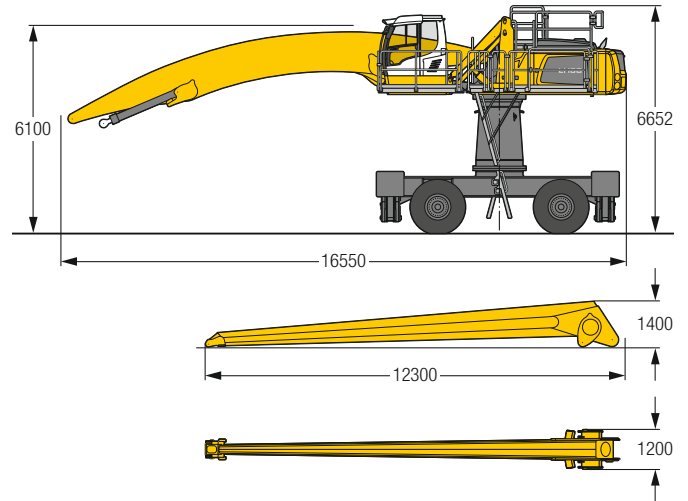


# LH 60 M HR – Equipment AG23

## Port – Kinematic 2D



### Dimensions



### Operating weight

The operating weight includes the basic machine with 4 point outriggers, turret 2,000 mm, hydr. cab elevation, 4 solid tyres, angled boom 12.50 m, straight stick 11.80 m and grab for loose material GMZ 80 / 3.50 m<sup>3</sup>.

Weight 76,200 kg

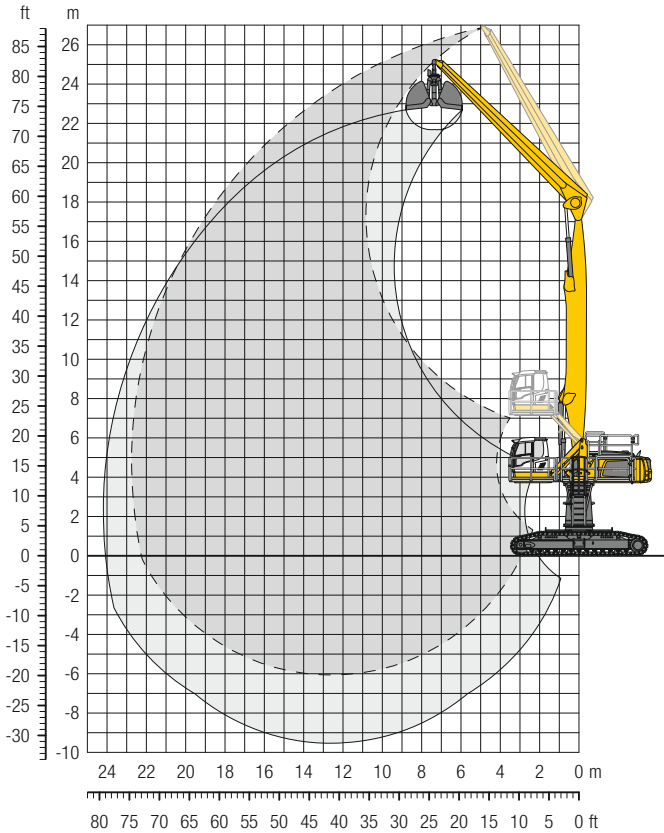
m	Undercarriage	6.0 m		7.5 m		9.0 m		10.5 m		12.0 m		13.5 m		15.0 m		16.5 m		18.0 m		19.5 m		21.0 m		22.5 m		Grab		m				
		Outrigger	Outrigger	Outrigger	Outrigger	Outrigger	Outrigger	Outrigger	Outrigger	Outrigger	Outrigger	Outrigger	Outrigger	Outrigger	Outrigger	Outrigger	Outrigger	Outrigger	Outrigger	Outrigger	Outrigger	Outrigger	Outrigger	Outrigger	Outrigger	Outrigger	Outrigger		Outrigger			
25.5	4 pt. outriggers down																											6.3*	6.3*	10.4		
24.0	4 pt. outriggers down									6.4*	6.4*																		5.5*	5.5*	13.0	
22.5	4 pt. outriggers down											6.4*	6.4*																5.1*	5.1*	14.9	
21.0	4 pt. outriggers down											7.0*	7.0*	6.3*	6.3*	4.9*	4.9*												4.8*	4.8*	16.5	
19.5	4 pt. outriggers down											6.9*	6.9*	6.5*	6.5*	6.0*	6.0*												4.6*	4.6*	17.9	
18.0	4 pt. outriggers down											6.9*	6.9*	6.4*	6.4*	6.0*	6.0*	5.6*	5.6*										4.5*	4.5*	19.0	
16.5	4 pt. outriggers down											6.9*	6.9*	6.4*	6.4*	6.0*	6.0*	5.7*	5.7*	4.9*	4.9*								4.4*	4.4*	19.9	
15.0	4 pt. outriggers down											6.9*	6.9*	6.4*	6.4*	6.0*	6.0*	5.7*	5.7*	5.4*	5.4*								4.3*	4.3*	20.7	
13.5	4 pt. outriggers down											7.0*	7.0*	6.5*	6.5*	6.1*	6.1*	5.7*	5.7*	5.4*	5.4*	4.8*	4.8*						4.3*	4.3*	21.4	
12.0	4 pt. outriggers down											7.1*	7.1*	6.6*	6.6*	6.1*	6.1*	5.7*	5.7*	5.4*	5.4*	5.1*	5.1*						4.3*	4.3*	21.9	
10.5	4 pt. outriggers down											8.0*	8.0*	7.3*	7.3*	6.7*	6.7*	6.2*	6.2*	5.8*	5.8*	5.5*	5.5*	5.1*	5.1*				4.3*	4.3*	22.3	
9.0	4 pt. outriggers down											8.3*	8.3*	7.5*	7.5*	6.9*	6.9*	6.3*	6.3*	5.9*	5.9*	5.5*	5.5*	5.2*	5.2*	4.6*	4.6*		4.4*	4.4*	22.6	
7.5	4 pt. outriggers down											11.1*	11.1*	9.7*	9.7*	8.6*	8.6*	7.7*	7.7*	7.0*	7.0*	6.5*	6.5*	6.0*	6.0*	5.6*	5.6*	5.2*	5.2*	4.8*	4.8*	22.8
6.0	4 pt. outriggers down	17.2*	17.2*	13.9*	13.9*	11.7*	11.7*	10.1*	10.1*	8.9*	8.9*	8.0*	8.0*	7.2*	7.2*	6.6*	6.6*	6.1*	6.1*	5.6*	5.6*	5.2*	5.2*	4.8*	4.8*	4.6*	4.6*	4.5*	4.5*	22.9		
4.5	4 pt. outriggers down	18.8*	18.8*	14.8*	14.8*	12.3*	12.3*	10.5*	10.5*	9.2*	9.2*	8.2*	8.2*	7.4*	7.4*	6.7*	6.7*	6.2*	6.2*	5.7*	5.7*	5.2*	5.2*	4.8*	4.8*	4.7*	4.7*	4.7*	4.7*	22.9		
3.0	4 pt. outriggers down	17.4*	17.4*	15.6*	15.6*	12.8*	12.8*	10.9*	10.9*	9.5*	9.5*	8.4*	8.4*	7.5*	7.5*	6.8*	6.8*	6.2*	6.2*	5.7*	5.7*	5.2*	5.2*	4.8*	4.8*	4.6*	4.6*	4.6*	4.6*	22.8		
1.5	4 pt. outriggers down	9.8*	9.8*	16.2*	16.2*	13.3*	13.3*	11.2*	11.2*	9.7*	9.7*	8.6*	8.6*	7.6*	7.6*	6.9*	6.9*	6.3*	6.3*	5.7*	5.7*	5.2*	5.2*	4.6*	4.6*	4.6*	4.6*	4.6*	4.6*	22.7		
0	4 pt. outriggers down	8.1*	8.1*	14.3*	14.3*	13.5*	13.5*	11.4*	11.4*	9.9*	9.9*	8.7*	8.7*	7.7*	7.7*	6.9*	6.9*	6.3*	6.3*	5.7*	5.7*	5.1*	5.1*					4.5*	4.5*	22.4		
-1.5	4 pt. outriggers down	7.7*	7.7*	12.0*	12.0*	13.5*	13.5*	11.5*	11.5*	9.9*	9.9*	8.7*	8.7*	7.7*	7.7*	6.9*	6.9*	6.2*	6.2*	5.5*	5.5*	4.9*	4.9*					4.4*	4.4*	22.0		
-3.0	4 pt. outriggers down	7.7*	7.7*	11.2*	11.2*	13.3*	13.3*	11.3*	11.3*	9.8*	9.8*	8.6*	8.6*	7.6*	7.6*	6.7*	6.7*	6.0*	6.0*	5.3*	5.3*	4.6*	4.6*					4.3*	4.3*	21.5		
-4.5	4 pt. outriggers down	8.0*	8.0*	11.1*	11.1*	12.8*	12.8*	11.0*	11.0*	9.5*	9.5*	8.3*	8.3*	7.3*	7.3*	6.5*	6.5*	5.7*	5.7*	4.9*	4.9*							4.1*	4.1*	20.8		
-6.0	4 pt. outriggers down	8.4*	8.4*	11.2*	11.2*	12.0*	12.0*	10.3*	10.3*	9.0*	9.0*	7.8*	7.8*	6.9*	6.9*	6.0*	6.0*	5.2*	5.2*	4.3*	4.3*							4.2*	4.2*	19.6		
-7.5	4 pt. outriggers down			10.7*	10.7*	9.3*	9.3*	8.1*	8.1*	7.1*	7.1*	6.2*	6.2*	5.3*	5.3*													5.0*	5.0*	17.0		

Height Can be slewed through 360° In longitudinal position of undercarriage Max. reach \* Limited by hydr. capacity

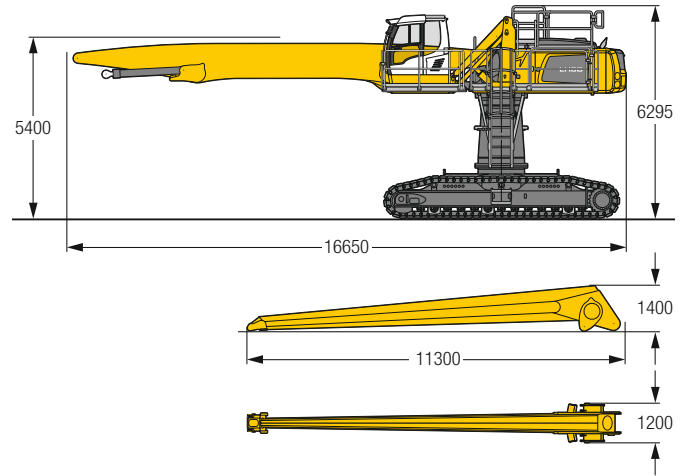
The lift capacities on the stick end without attachment are stated in metric tons (t) and are valid on a firm, level supporting surface with blocked oscillating axle. These capacities can be slewed through 360° with the undercarriage in the transverse position. Capacities in the longitudinal position of the undercarriage (±15°) are specified over the rigid axle with the stabilizers down. Indicated loads based on the ISO 10567 standard and do not exceed 75% of tipping or 87% of hydraulic capacity. The lift capacity values indicated are attained at the corresponding operating temperature. This operating temperature is ensured by continuous movement of the boom. Weights of fitted attachments (grabs, load hooks, etc.) and load accommodation attachment are to be deducted from the lift capacity values. The lift capacity of the unit is limited by its stability, the lifting capability of the hydraulic elements, or the maximum permissible lifting capacity of the load hook. In accordance with the harmonised European Standard EN 474-5, hydraulic excavators used for lifting operations must be equipped with pipe fracture safety valves, an overload warning device, a load hook and a lift capacity chart.

# LH 60 C HR – Equipment GG23

## Port – Kinematic 2A



### Dimensions



### Operating weight and ground pressure

The operating weight includes the basic machine with turret 2,000 mm, hydr. cab elevation, straight boom 12.50 m, straight stick 10.80 m and grab for loose material GMZ 80 / 3.50 m<sup>3</sup>.

Weight	76,400 kg
Pad width	750 mm
Ground pressure	on request

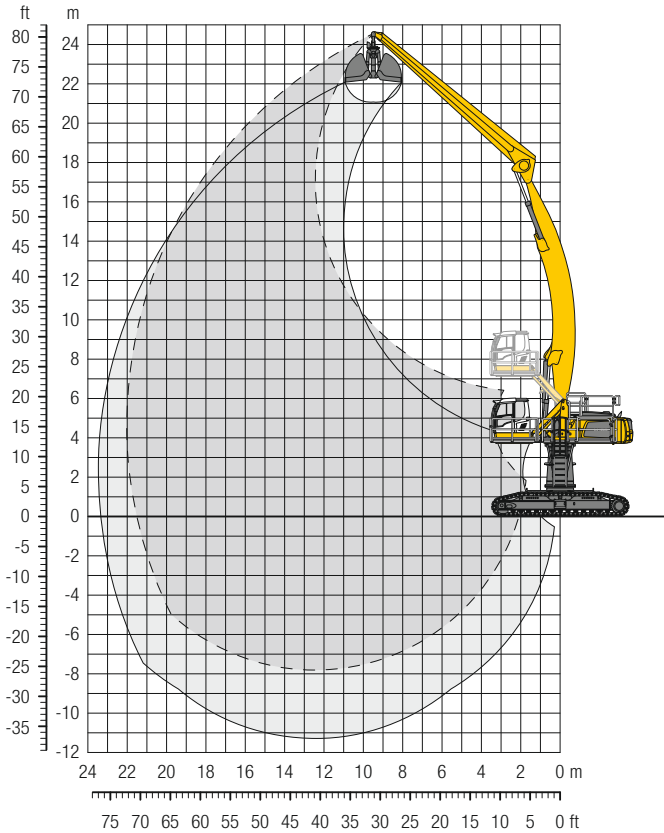
m	Undercarriage	6.0m		7.5m		9.0m		10.5m		12.0m		13.5m		15.0m		16.5m		18.0m		19.5m		21.0m		22.5m		m						
		SW	SW	SW	SW	SW	SW	SW	SW	SW	SW	SW	SW	SW	SW	SW	SW	SW	SW	SW	SW	SW	SW	SW	SW	SW	SW					
25.5	SW			10.4*	10.4*	8.7*	8.7*																			8.5*	8.5*	9.1				
24.0	SW					10.1*	10.1*	8.9*	8.9*																		7.1*	7.1*	12.0			
22.5	SW							9.7*	9.7*	8.8*	8.8*	7.3*	7.3*														6.4*	6.4*	14.1			
21.0	SW							10.1*	10.1*	9.4*	9.4*	8.6*	8.6*	7.2*	7.2*												5.9*	5.9*	15.9			
19.5	SW									9.3*	9.3*	8.5*	8.5*	7.9*	7.9*	6.8*	6.8*											5.5*	5.5*	17.3		
18.0	SW									9.2*	9.2*	8.4*	8.4*	7.8*	7.8*	7.2*	7.2*	6.2*	6.2*									5.3*	5.3*	18.5		
16.5	SW									9.2*	9.2*	8.4*	8.4*	7.8*	7.8*	7.2*	7.2*	6.7*	6.7*									5.1*	5.1*	19.5		
15.0	SW									9.2*	9.2*	8.4*	8.4*	7.8*	7.8*	7.2*	7.2*	6.7*	6.7*	6.2*	6.2*							5.0*	5.0*	20.3		
13.5	SW							10.3*	10.3*	9.3*	9.3*	8.5*	8.5*	7.8*	7.8*	7.2*	7.2*	6.7*	6.7*	6.2*	6.2*							4.9*	4.9*	21.0		
12.0	SW							10.5*	10.5*	9.5*	9.5*	8.6*	8.6*	7.9*	7.9*	7.3*	7.3*	6.7*	6.7*	6.2*	6.2*	5.7*	5.7*					4.9*	4.9*	21.6		
10.5	SW							10.9*	10.9*	10.8*	10.8*	9.7*	9.7*	8.7*	8.7*	8.0*	8.0*	7.3*	7.3*	6.8*	6.8*	6.2*	6.2*	5.7*	5.7*			4.8*	4.8*	22.0		
9.0	SW							10.5*	10.5*	11.1*	11.1*	9.9*	9.9*	8.9*	8.9*	8.1*	8.1*	7.4*	7.4*	6.8*	6.8*	6.2*	6.2*	5.7*	5.7*			4.8*	4.8*	22.3		
7.5	SW							10.6*	10.6*	11.5*	11.5*	10.1*	10.1*	9.1*	9.1*	8.2*	8.2*	7.5*	7.5*	6.8*	6.8*	6.2*	6.2*	5.7*	5.7*	5.0*	5.0*	4.9*	4.9*	22.6		
6.0	SW							20.7*	20.7*	16.5*	16.5*	13.8*	13.8*	11.8*	11.8*	10.4*	10.4*	9.2*	9.2*	8.3*	8.3*	7.5*	7.5*	6.8*	6.8*	6.2*	6.2*	5.6*	5.6*	4.9*	4.9*	22.7
4.5	SW							21.9*	21.9*	17.3*	17.3*	14.2*	14.2*	12.1*	12.1*	10.6*	10.6*	9.3*	9.3*	8.4*	8.4*	7.5*	7.5*	6.8*	6.8*	6.2*	6.2*	5.5*	5.5*	4.7*	4.7*	22.8
3.0	SW							7.5*	7.5*	17.7*	17.7*	14.6*	14.6*	12.3*	12.3*	10.7*	10.7*	9.4*	9.4*	8.4*	8.4*	7.5*	7.5*	6.8*	6.8*	6.1*	6.1*	5.4*	5.4*	4.4*	4.4*	22.7
1.5	SW							5.4*	5.4*	12.9*	12.9*	14.6*	14.6*	12.4*	12.4*	10.7*	10.7*	9.4*	9.4*	8.3*	8.3*	7.4*	7.4*	6.6*	6.6*	5.9*	5.9*	5.1*	5.1*	4.0*	4.0*	22.5
0	SW							5.2*	5.2*	10.1*	10.1*	14.4*	14.4*	12.2*	12.2*	10.6*	10.6*	9.2*	9.2*	8.2*	8.2*	7.2*	7.2*	6.4*	6.4*	5.6*	5.6*	4.7*	4.7*	3.6*	3.6*	22.3
-1.5	SW							5.6*	5.6*	9.4*	9.4*	13.8*	13.8*	11.8*	11.8*	10.2*	10.2*	8.9*	8.9*	7.9*	7.9*	6.9*	6.9*	6.0*	6.0*	5.2*	5.2*	4.1*	4.1*	3.7*	3.7*	21.4
-3.0	SW							6.3*	6.3*	9.5*	9.5*	12.8*	12.8*	11.1*	11.1*	9.6*	9.6*	8.4*	8.4*	7.4*	7.4*	6.4*	6.4*	5.5*	5.5*	4.5*	4.5*	4.0*	4.0*	20.1		
-4.5	SW							10.0*	10.0*	11.3*	11.3*	9.9*	9.9*	8.7*	8.7*	7.6*	7.6*	6.6*	6.6*	5.6*	5.6*	4.7*	4.7*					4.5*	4.5*	18.2		
-6.0	SW									7.4*	7.4*	6.5*	6.5*														6.2*	6.2*	13.8			

Height Can be slewed through 360° In longitudinal position of undercarriage Max. reach \* Limited by hydr. capacity

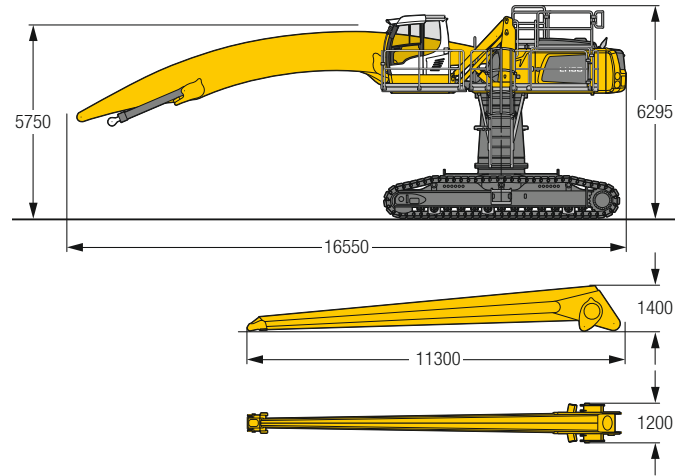
The lift capacities on the stick end without attachment are stated in metric tons (t) and can be slewed through 360° on a firm, level supporting surface. Capacities are valid for 750 mm wide flat pads. Indicated loads based on the ISO 10567 standard and do not exceed 75% of tipping or 87% of hydraulic capacity. The lift capacity values indicated are attained at the corresponding operating temperature. This operating temperature is ensured by continuous movement of the boom. Weights of fitted attachments (grabs, load hooks, etc.) and load accommodation attachment are to be deducted from the lift capacity values. The lift capacity of the unit is limited by its stability, the lifting capability of the hydraulic elements, or the maximum permissible lifting capacity of the load hook. In accordance with the harmonised European Standard EN 474-5, hydraulic excavators used for lifting operations must be equipped with pipe fracture safety valves, an overload warning device, a load hook and a lift capacity chart.

# LH 60 C HR – Equipment AG22

## Port – Kinematic 2D



### Dimensions



### Operating weight and ground pressure

The operating weight includes the basic machine with turret 2,000 mm, hydr. cab elevation, angled boom 12.50 m, straight stick 10.80 m and grab for loose material GMZ 80 / 3.50 m<sup>3</sup>.

Weight	77,000 kg
Pad width	750 mm
Ground pressure	on request

m	Undercarriage	6.0m		7.5m		9.0m		10.5m		12.0m		13.5m		15.0m		16.5m		18.0m		19.5m		21.0m		22.5m		m				
		SW	SW	SW	SW	SW	SW	SW	SW	SW	SW	SW	SW	SW	SW	SW	SW	SW	SW	SW	SW	SW	SW	SW	SW	SW	SW			
24.0	SW							6.8*	6.8*																	6.7*	6.7*	10.6		
22.5	SW									7.0*	7.0*																6.0*	6.0*	12.9	
21.0	SW									8.0*	8.0*																5.6*	5.6*	14.8	
19.5	SW											7.3*	7.3*	6.8*	6.8*												5.3*	5.3*	16.3	
18.0	SW											7.2*	7.2*	6.7*	6.7*	6.3*	6.3*										5.1*	5.1*	17.6	
16.5	SW											7.2*	7.2*	6.7*	6.7*	6.3*	6.3*	5.8*	5.8*								5.0*	5.0*	18.6	
15.0	SW											7.2*	7.2*	6.7*	6.7*	6.3*	6.3*	5.9*	5.9*								4.9*	4.9*	19.5	
13.5	SW									7.9*	7.9*	7.3*	7.3*	6.8*	6.8*	6.3*	6.3*	5.9*	5.9*	5.6*	5.6*						4.8*	4.8*	20.2	
12.0	SW									8.1*	8.1*	7.4*	7.4*	6.8*	6.8*	6.4*	6.4*	6.0*	6.0*	5.6*	5.6*						4.8*	4.8*	20.8	
10.5	SW											8.3*	8.3*	7.6*	7.6*	7.0*	7.0*	6.4*	6.4*	6.0*	6.0*	5.6*	5.6*	5.3*	5.3*		4.9*	4.9*	21.3	
9.0	SW											9.6*	9.6*	8.6*	8.6*	7.8*	7.8*	7.1*	7.1*	6.5*	6.5*	6.1*	6.1*	5.7*	5.7*	5.3*	4.9*	4.9*	21.6	
7.5	SW											11.5*	11.5*	10.0*	10.0*	8.9*	8.9*	8.0*	8.0*	7.2*	7.2*	6.7*	6.7*	6.2*	6.2*	5.7*	5.7*	5.3*	5.0*	21.9
6.0	SW	18.0*	18.0*	14.4*	14.4*	12.1*	12.1*	10.4*	10.4*	9.2*	9.2*	8.2*	8.2*	7.4*	7.4*	6.8*	6.8*	6.2*	6.2*	5.8*	5.8*	5.3*	5.3*			5.1*	5.1*	22.0		
4.5	SW	19.4*	19.4*	15.3*	15.3*	12.7*	12.7*	10.8*	10.8*	9.4*	9.4*	8.4*	8.4*	7.6*	7.6*	6.9*	6.9*	6.3*	6.3*	5.8*	5.8*	5.3*	5.3*			5.0*	5.0*	22.0		
3.0	SW	12.1*	12.1*	16.0*	16.0*	13.2*	13.2*	11.2*	11.2*	9.7*	9.7*	8.6*	8.6*	7.7*	7.7*	7.0*	7.0*	6.4*	6.4*	5.8*	5.8*	5.3*	5.3*			5.0*	5.0*	22.0		
1.5	SW	8.3*	8.3*	16.5*	16.5*	13.5*	13.5*	11.4*	11.4*	9.9*	9.9*	8.7*	8.7*	7.8*	7.8*	7.0*	7.0*	6.4*	6.4*	5.8*	5.8*	5.2*	5.2*			4.9*	4.9*	21.8		
0	SW	7.4*	7.4*	12.7*	12.7*	13.7*	13.7*	11.6*	11.6*	10.0*	10.0*	8.8*	8.8*	7.8*	7.8*	7.0*	7.0*	6.3*	6.3*	5.7*	5.7*	5.1*	5.1*			4.8*	4.8*	21.5		
-1.5	SW	7.3*	7.3*	11.3*	11.3*	13.7*	13.7*	11.6*	11.6*	10.0*	10.0*	8.8*	8.8*	7.8*	7.8*	7.0*	7.0*	6.2*	6.2*	5.5*	5.5*	4.8*	4.8*			4.7*	4.7*	21.1		
-3.0	SW	7.6*	7.6*	10.9*	10.9*	13.3*	13.3*	11.4*	11.4*	9.8*	9.8*	8.6*	8.6*	7.6*	7.6*	6.8*	6.8*	6.0*	6.0*	5.2*	5.2*					4.6*	4.6*	20.6		
-4.5	SW	8.1*	8.1*	11.0*	11.0*	12.7*	12.7*	10.9*	10.9*	9.5*	9.5*	8.3*	8.3*	7.3*	7.3*	6.4*	6.4*	5.6*	5.6*	4.7*	4.7*					4.3*	4.3*	20.0		
-6.0	SW			11.4*	11.4*	11.7*	11.7*	10.1*	10.1*	8.8*	8.8*	7.7*	7.7*	6.8*	6.8*	5.9*	5.9*	4.9*	4.9*							4.6*	4.6*	18.5		
-7.5	SW							9.0*	9.0*	7.9*	7.9*	6.8*	6.8*	5.9*	5.9*											5.9*	5.9*	15.1		

Height Can be slewed through 360° In longitudinal position of undercarriage Max. reach \* Limited by hydr. capacity

The lift capacities on the stick end without attachment are stated in metric tons (t) and can be slewed through 360° on a firm, level supporting surface. Capacities are valid for 750 mm wide flat pads. Indicated loads based on the ISO 10567 standard and do not exceed 75% of tipping or 87% of hydraulic capacity. The lift capacity values indicated are attained at the corresponding operating temperature. This operating temperature is ensured by continuous movement of the boom. Weights of fitted attachments (grabs, load hooks, etc.) and load accommodation attachment are to be deducted from the lift capacity values. The lift capacity of the unit is limited by its stability, the lifting capability of the hydraulic elements, or the maximum permissible lifting capacity of the load hook. In accordance with the harmonised European Standard EN 474-5, hydraulic excavators used for lifting operations must be equipped with pipe fracture safety valves, an overload warning device, a load hook and a lift capacity chart.

# Liebherr ERC-System

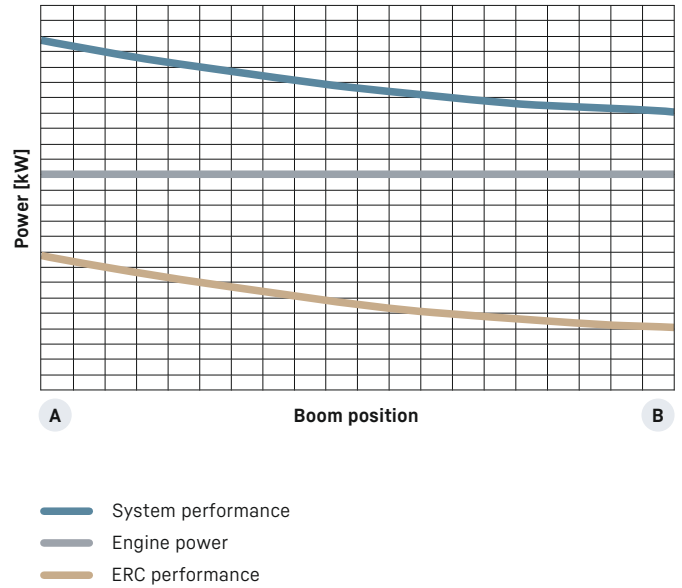
## More performance, less consumption

Lowering the equipment stores energy in the ERC-System. This stored energy is then made available to the machine to provide additional engine power. When the equipment is raised the stored energy is released and is reflected in powerful, homogeneous operating cycles. The result is a clear energy saving – and, at the same time, even greater performance.

## System performance

The energy recovery cylinder is a storage system which is independent of the electric motor or diesel engine. The system performance of material handling machines fitted with the ERC-System is composed of the installed engine power and the energy recovery cylinder. When the equipment is raised, energy from the ERC-System is supplied in addition to the power from the engine.

## ERC-System



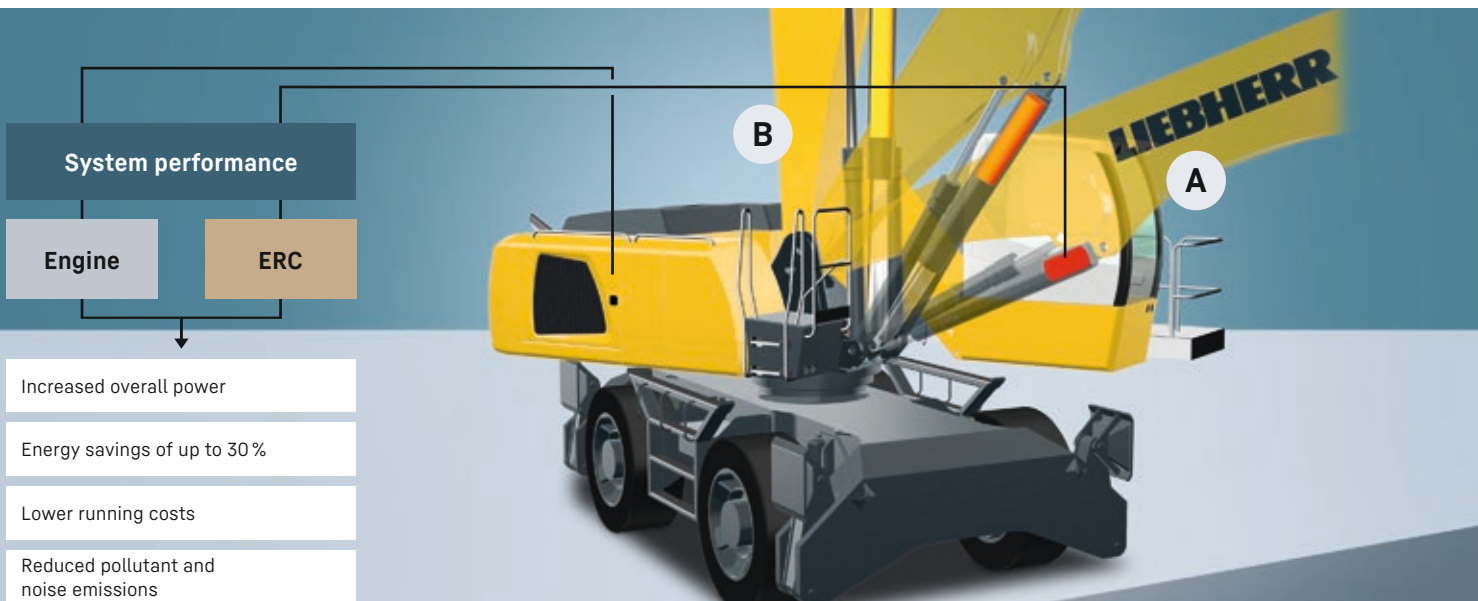
**B** 1. Equipment fitting raised / energy released



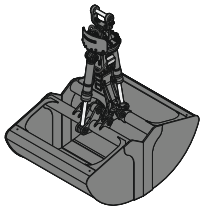
2. Lower equipment fitting / store energy  
4. Raise equipment fitting / release energy



**A** 3. Equipment fitting lowered / energy stored



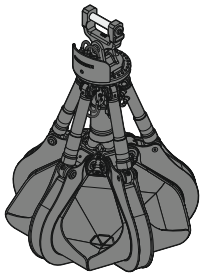
# Attachments



## Grab for loose material

Shells for loose material with cutting edge (without teeth)

Grab model GMZ 50														
Width of shells	mm	1,400	1,600	1,800										
Capacity	m <sup>3</sup>	3.50	4.00	4.50										
Max. material density	t/m <sup>3</sup>	1.6	1.6	1.1										
Weight	kg	2,615	2,750	2,825										
Grab model GMZ 80														
Shell specification		Standard							Wide					
Width of shells	mm	1,300	1,500	1,750	2,000	2,200	2,600	3,000	3,400	1,300	1,500	1,700	2,000	2,200
Capacity	m <sup>3</sup>	3.00	3.50	4.00	4.50	5.00	6.00	7.00	8.00	2.00	2.30	2.70	3.00	3.40
Weight	kg	2,510	2,625	2,775	2,920	3,255	3,490	3,720	3,955	2,310	2,400	2,535	2,670	2,895



## Multi-tine grab

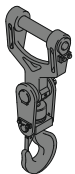
closed, heart-shaped

Grab model GMM 80-5 (5 tines)												
Capacity	m <sup>3</sup>	0.90	1.10				1.40			1.70		
Weight	kg	2,375	2,440				2,580			2,730		
Grab model GMM 120-5 (5 tines)												
Capacity	m <sup>3</sup>	1.70	2.00				2.50			3.00		
Weight	kg	2,970	3,110				3,265			3,670		



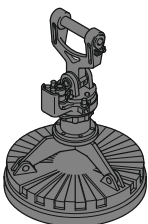
## Wood grab

Grab model GMH 50 - round overlapping (horizontal cylinders)													
Size	m <sup>2</sup>	2.20	2.50			2.50		2.80		3.20		3.60	
Cutting width	mm	1,000	870			1,000		1,000		1,000		1,000	
Height of grab, closed	mm	2,323	2,416			2,416		2,521		2,649		2,814	
Weight	kg	2,135	2,105			2,180		2,260		2,320		2,375	
Grab model GMH 80 - round overlapping (vertical cylinders)													
Size	m <sup>2</sup>	1.30	1.60		1.90		2.20		2.50				
Cutting width	mm	870	870		870		870		870				
Height of grab, closed	mm	2,805	2,905		2,983		3,065		3,142				
Weight	kg	2,155	2,215		2,260		2,295		2,335				



## Load hook

Max. load	t	12,5
Height with suspension	mm	930
Weight	kg	135





## Magnet devices / lifting magnets


Generator	kW	13/20/25
Electromagnet with suspension		
Power	kW	12,8/17,8
Diameter of magnet	mm	1,700
Weight	kg	3,280*


\* only magnet plate

# Equipment

	60 M	60 C	60 M HR	60 C HR
 <b>Undercarriage</b>				
Track pads, variants		+		+
Individual control outriggers	+		•	
Three-piece chain guide		•		•
Shuttle axle lock, automatic	•		•	
Outrigger monitoring system	+		+	
Tyres, variants	+		+	
Trailing cable <sup>2)</sup>	•	•	•	•
Protection for piston rods, outriggers	+		+	
Two storage compartments <sup>1)</sup>	•			
One storage compartment <sup>2)</sup>	•			
Cable reel system <sup>2)</sup>	+		+	+

	60 M	60 C	60 M HR	60 C HR
 <b>Uppercarriage</b>				
Uppercarriage right side light, 1 piece, LED	•	•	•	•
Uppercarriage rear light, 2 pieces, LED	+	+		
Uppercarriage underneath rear light, 1 piece, LED			+	+
Refuelling system with filling pump <sup>1)</sup>	+	+	+	+
Railing on uppercarriage	+	+	•	•
Generator	+	+	+	+
Main battery switch for electrical system	•	•	•	•
Amber beacon, at uppercarriage, LED double flash	+	+	+	+
Protection for headlights	+	+		
Protection for rear lights	+	+		
Tool equipment, extended	•	•	•	•

	60 M	60 C	60 M HR	60 C HR
 <b>Hydraulic system</b>				
Electronic pump regulation	•	•	•	•
Liebherr hydraulic oil from -20 °C to +40 °C	•	•	•	•
Liebherr hydraulic oil, biologically degradable	+	+	+	+
Liebherr hydraulic oil, specially for warm or cold regions	+	+	+	+
Magnetic rod in hydraulic tank	•	•	•	•
Bypass filter	+	+	+	+
Preheating hydraulic oil	+	+	+	+

	60 M	60 C	60 M HR	60 C HR
 <b>Engine</b>				
Fuel anti-theft device <sup>1)</sup>	+	+	+	+
Air pre-filter with dust discharge <sup>1)</sup>	+	+	+	+
Automatic engine shut-down (time adjustable)	+	+	+	+
Preheating fuel <sup>1)</sup>	+	+	+	+
Preheating coolant <sup>1)</sup>	+	+	+	+
Preheating engine oil* <sup>1)</sup>	+	+	+	+

	60 M	60 C	60 M HR	60 C HR
 <b>Cooling system</b>				
Reversible fan drive	+	+	+	+
Protective grid in front of cooler intake	•	•	•	•



## Cab

	60 M	60 C	60 M HR	60 C HR
Stabilizer, control lever, left console	+		+	
Stabilizer, proportional control on left joystick	•		•	
Cab lights rear, LED	+	+	+	+
Cab lights front, LED	+	+	+	+
Cab lights front, LED (under rain cover)	•	•	•	•
Armrest adjustable	•	•	•	•
Circular bubble level	+	+	•	•
Slewing gear brake Comfort, button on the left or right joystick	+	+	+	+
Driver profile, personalised (max. 5 drivers)	+	+	+	+
Operator's seat Comfort	•	•	•	•
Operator's seat Premium	+	+	+	+
Driving alarm				
(acoustic signal is emitted during travel, can be switched ON/OFF)	+	+	+	+
Fire extinguisher	+	+	+	+
Footrest	+	+	+	+
Horn, button on left joystick	•	•	•	•
Joystick steering	•		•	
Joystick and wheel steering (slim version)	+	+	+	+
Cab elevation, hydraulic (LHC)	•	•	•	•
Cab elevation, hydraulic with double parallelogram (LHC-D)			+	+
Cab elevation, rigid (LFC)	+	+		
Automatic air conditioning	•	•	•	•
Wheel steering (slim version)	+		+	
LiDAT, vehicle fleet management	•	•	•	•
Engine shut-down (emergency stop) cab <sup>2)</sup>	•	•	•	•
Proportional control	•	•	•	•
Radio Comfort, control via display with handsfree set	+	+	+	+
Preparation for radio installation	•	•	•	•
Back-up alarm				
(acoustic signal is emitted traveling backward, can not be switched off)	+		+	
Amber beacon, on cab, LED double flash	+	+	+	+
Windows made from impact-resistant laminated safety glass	+	+	•	•
Windscreen wiper, roof	+	+	+	+
Windshield wiper, entire windscreen	•	•	•	•
FOPS top guard	+	+	+	+
FGPS front guard, tiltable	+	+	+	+
Sun visor	+	+	+	+
Stationary air-conditioning <sup>2)</sup>	•	•	•	•
Left control console, folding	•	•	•	•



## Equipment

	60 M	60 C	60 M HR	60 C HR
Boom lights, 2 pieces, LED	•	•	•	•
Stick lights, 2 pieces, LED	•	•	•	•
Boom shutoff (retract/extend), electronically	+	+	•	•
Equipment with electro-hydraulic end position control	•	•	•	•
AutoLift	+	+	+	+
Pressure warning mechanism hoist cylinder	•	•	•	•
ERC system	•	•	•	•
Filter system for attachment	+	+	+	+
Electronic lift limitation	+	+	+	+
Boom cylinder cushioning	•	•	•	•
Stick camera (with separate monitor), bottom side, with protection	+	+	+	+
Load torque limitation	+	+	+	+
Liebherr multi coupling system	+	+	+	+
Pipe fracture safety valves hoist cylinders	•	•	•	•
Pipe fracture safety valves stick cylinders	•	•	•	•
Quick coupling system MH 110B	+	+	+	+
Protection for piston rod, energy recovering cylinder	+	+	+	+
Protection for piston rods, hoist cylinder	+	+	+	+
Stick shutoff (retract), electronically	•	•	•	•
Stick shutoff (retract/extend), electronically	+	+	•	•
Retract stick without pressure	•	•	•	•
Sticks with quick coupling	+	+	+	+
Overload warning device	+	+	+	+



## Complete machine

	60 M	60 C	60 M HR	60 C HR
<b>Lubrication</b>				
Lubrication undercarriage, manually - decentralised (grease points)	•			
Lubrication undercarriage, manually - centralised (one grease point)	+		•	
Central lubrication system for uppercarriage and equipment, automatically	•	•	•	•
Central lubrication system for undercarriage, automatically	+		+	
Centralised lubrication extended for attachment	+	+	+	+
<b>Special coating</b>				
Special coating, variants	+	+	+	+
<b>Monitoring</b>				
Rear view monitoring with camera	•	•	•	•
Side view monitoring with camera	•	•	•	•

• = Standard, + = Option

\* = country-dependent, <sup>1)</sup> not with electric drive, <sup>2)</sup> only with electric drive

Options and / or special equipment, supplied by vendors other than Liebherr, are only to be installed with the knowledge and approval of Liebherr in order to retain warranty.

# The Liebherr Group



## Global and independent: more than 70 years of success

Liebherr was founded in 1949 when, with the development of the world's first mobile tower crane, Hans Liebherr laid the foundations for a family business now employing nearly 51,000 people and comprising over 140 companies across every continent.

The parent company is Liebherr-International AG in Bulle, Switzerland, whose associates are exclusively members of the Liebherr family.

## Leaders and pioneers

Liebherr is a pioneer and its forward-looking approach has seen it make important contributions to technology history over a wide variety of industries. Employees throughout the world continue to share the courage of the founder, sharing a passion to produce innovative products and a determination to provide world-leading equipment and machinery.

## Diversified portfolio

The company is one of the world's biggest construction equipment manufacturers and provides high-quality, user-oriented products and services to sectors including: earthmoving, material handling, deep foundations, mining, mobile and crawler cranes, tower cranes, concrete production and distribution, maritime cranes, aerospace and transportation, gear technology and automation, refrigeration and freezing, components and hotels.

## Customised care

Liebherr solutions are characterised by precision, implementation and longevity. The company is committed to technological excellence and to providing customers with solutions that match their needs exactly. That customer focus does not end with delivery of a product but continues through a comprehensive range of back-up and support services.

[www.liebherr.com](http://www.liebherr.com)

## Liebherr-Hydraulikbagger GmbH

Liebherrstraße 12 • 88457 Kirchdorf/Iller, Germany • Phone +49 7354 80-0 • Fax +49 7354 80-72 94  
info.lhb@liebherr.com • [www.liebherr.com](http://www.liebherr.com) • [www.facebook.com/LiebherrConstruction](http://www.facebook.com/LiebherrConstruction)