
LH 80 Port Litronic

LIEBHERR

Material handling machine



Generation

6

Operating weight

75,700–124,700 kg*

Engine

230 kW / 313 HP
Stage V
Stage IIIA (compliant)
Tier 4 Final
Electric

System performance

418 kW (Diesel)
408 kW (Electric)

* Without attachment

Performance

Power plus speed –
Redefined performance

Economy

Good investment –
Savings for long-term

Reliability

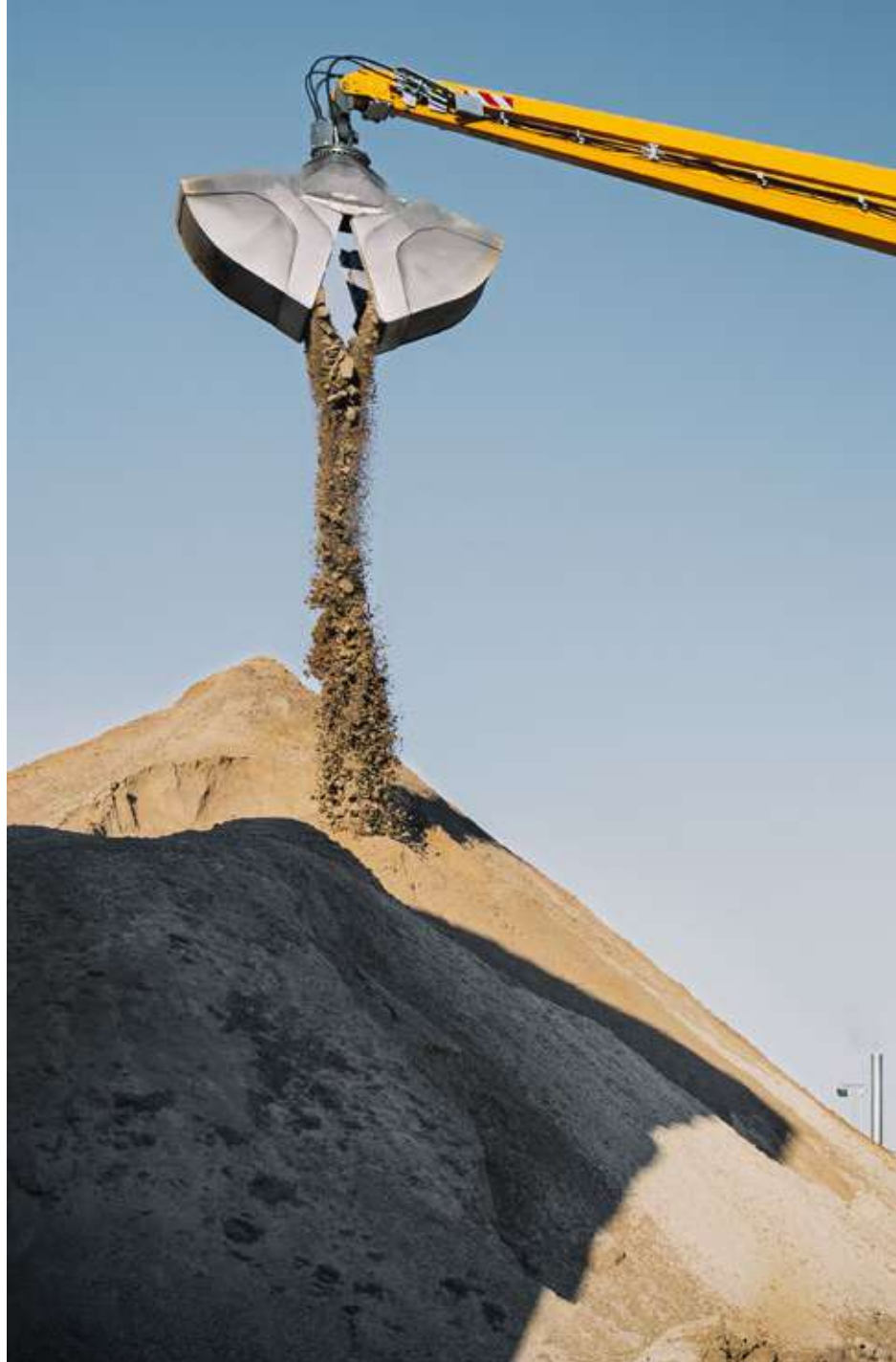
Durability and sustainability –
Quality down to the last detail

Comfort

Perfection at a glance –
When technology is comfortable

Maintainability

Efficiency bonus –
Even with maintenance and service



LH 80 M Port Litronic

Operating weight
75,700–88,400 kg*

Engine
230 kW / 313 HP
Stage V
Stage IIIA (compliant)
Tier 4 Final
Electric

System performance
418 kW (Diesel)
408 kW (Electric)

LH 80 C Port Litronic

Operating weight
80,000–92,600 kg*

Engine
230 kW / 313 HP
Stage V
Stage IIIA (compliant)
Tier 4 Final
Electric

System performance
418 kW (Diesel)
408 kW (Electric)

* Without attachment



LH 80 M High Rise Port Litronic

Operating weight
88,800–102,500 kg*

Engine
230 kW / 313 HP
Stage V
Stage IIIA (compliant)
Tier 4 Final
Electric

System performance
418 kW (Diesel)
408 kW (Electric)

LH 80 C High Rise Port Litronic

Operating weight
89,500–105,700 kg*

Engine
230 kW / 313 HP
Stage V
Stage IIIA (compliant)
Tier 4 Final
Electric

System performance
418 kW (Diesel)
408 kW (Electric)

LH 80 C Gantry Port Litronic

Operating weight
109,600–124,700 kg*

Engine
230 kW / 313 HP
Stage V
Stage IIIA (compliant)
Tier 4 Final
Electric

System performance
418 kW (Diesel)
408 kW (Electric)

Technical data

Diesel engine

Rating per ISO 9249	230 kW (313 HP) at 1,800 RPM
Model	Liebherr D946
Type	6 cylinder in-line
Bore / Stroke	130 / 150 mm
Displacement	11.95 l
Engine operation	4-stroke diesel Common-Rail Turbo-charged and after-cooled Reduced emissions
Air cleaner	Dry-type air cleaner with pre-cleaner, primary and safety elements
Engine idling	Sensor controlled
Electrical system	
Voltage	24 V
Batteries	2 x 180 Ah / 12 V
Alternator	Three-phase current 28 V / 140 A
Stage V	
Harmful emissions values	According to regulation (EU) 2016/1628
Emission control	Liebherr-SCR Filter technology
Fuel tank	660 l
Urea tank	65 l
Stage IIIA (compliant)	
Harmful emissions values	In accordance with ECE-R.96 Power Band H
Fuel tank	660 l
Tier 4 Final	
Harmful emissions values	In accordance with 40CFR1039 (EPA) / 13CCR (CARB)
Emission control	Liebherr-SCR technology
Fuel tank	660 l
Urea tank	65 l

Electric motor

Rating	220 kW at 1,800 RPM
Type	Three-phase squirrel cage motor
Secondary electric motor	Electric motor auxiliary equipment (air-conditioning compressor, alternator 24 V) 15 kW
Electrical system energy supply	Frequency converter fed drive system Heavy-duty version
Supply voltage	
Low voltage	380 V, 400 V
Frequency	50 / 60 Hz
Engine idling	Sensor controlled
Electrical system	Battery-assisted Control system, lighting, diagnostics system
Voltage	24 V
Batteries	2 x 135 Ah / 12 V
Alternator	Three-phase current 28 V / 140 A

Deviating parameters of the power supply system must always be clarified with Liebherr-Hydraulikbagger GmbH.

Cooling system

Diesel engine	Water-cooled Cooling system, consisting of a cooling unit for water and charge air and a 2nd cooler for hydraulic oil, each with an infinitely variable, thermostatically controlled fan drive system
Electric motor	Air-cooled Cooling system for hydraulic oil with an infinitely variable, thermostatically controlled fan drive system

Hydraulic controls

Power distribution	Via control valves with integrated safety valves, simultaneous actuation of chassis and equipment. Swing drive in separate closed circuit
Servo circuit	
Equipment and swing	With electro-hydraulic pilot control and proportional joystick levers
Chassis mobile	Electro-proportional via foot pedal
Chassis crawler	With electric proportionally functioning foot pedals or adjusted with plugable levers
Additional functions	Via switch or electro-proportional foot pedals
Proportional control	Proportionally acting transmitters on the joysticks for additional hydraulic functions

Hydraulic system

Hydraulic pump	
For equipment and travel drive	2 Liebherr axial piston variable displacement pumps (double construction)
Max. flow	2 x 362 l/min.
Max. pressure	350 bar
For swing drive	Reversible axial piston variable displacement pump, closed-loop circuit
Max. flow	196 l/min.
Max. pressure	370 bar
Hydraulic pump regulation and control	2 circuit Liebherr-Synchron-Comfort-system (LSC) with electronic engine speed sensing regulation, pressure and flow compensation, automatic oil flow optimizer
Hydraulic tank	340 l
Hydraulic system	950 l
Filtration	2 main return filters with integrated partial micro filtration (5 µm)
MODE selection	Adjustment of engine and hydraulic performance via a mode pre-selector to match application, e.g. for especially economical and environmentally friendly operation or for maximum material handling and heavy-duty jobs
S (Sensitive)	Mode for precision work and lifting through very sensitive movements
E (Eco)	Mode for especially economical and environmentally friendly operation
P (Power)	Mode for high performance with low fuel consumption
P+ (Power-Plus)	Mode for highest performance and for very heavy duty applications, suitable for continuous operation
Engine speed and performance setting	Stepless alignment of engine output and hydraulic power via engine speed
Option	Tool Control: 20 pre-adjustable pump flows and pressures for add-on attachments

Swing drive

Drive	Liebherr axial piston motor in a closed system, Liebherr planetary reduction gear
Swing ring	Liebherr, sealed race ball bearing swing ring, internal teeth
Swing speed	0-6.5 RPM stepless
Swing torque	141 kNm
Holding brake	Wet multi-disc (spring applied, pressure released)
Option	Slewing gear brake Comfort



Cab

Cab	Safety cab structure with individual windscreens or featuring a slide-in subpart under the ceiling, work headlights integrated in the ceiling, a door with a sliding window (can be opened on both sides), large stowing and depositing possibilities, shock-absorbing suspension, sound damping insulating, tinted laminated safety glass, separate shades for the sunroof window and windscreen
High Rise / Gantry	Deviating from standard: safety cab structure with fixed built-in front and roof window made from impact-resistant laminated safety glass
Operator's seat Comfort	Air cushioned operator's seat with 3D-adjustable armrests, headrest, lap belt, seat heater, adjustable seat cushion inclination and length, lockable horizontal suspension, automatic weight adjustment, adjustable suspension stiffness, pneumatic lumbar vertebrae support and passive seat climatisation with active coal
Operator's seat Premium (Option)	In addition to operator's seat comfort: active electronic weight adjustment (automatic readjustment), pneumatic low frequency suspension and active seat climatisation with active coal and ventilator
Arm consoles	Joysticks with control consoles and swivel seat, folding left control console
Operation and displays	Large high-resolution operating unit, self-explanatory, colour display with touchscreen, video-compatible, numerous setting, control and monitoring options, e.g. air conditioning control, fuel consumption respectively energy consumption, machine and attachment parameters
Air-conditioning	
Diesel engine	Automatic air-conditioning, recirculated air function, fast de-icing and demisting at the press of a button, air vents can be operated via a menu; recirculated air and fresh air filters can be easily replaced and are accessible from the outside; heating-cooling unit, designed for extreme outside temperatures, sensors for solar radiation, inside and outside temperatures
Electric motor	In addition to diesel engine: stationary air conditioning function with external climate condenser – controlled by a weekly timer
Refrigerant	R134a
Global warming potential	1,430
Quantity at 25 °C*	1,400–2,000 g (Diesel) 1,600–2,200 g (Electric)
CO ₂ equivalent*	2,002–2,860 t (Diesel) 2,288–3,146 t (Electric)
Vibration emission**	
Hand / arm vibrations	< 2.5 m/s ²
Whole-body vibrations	< 0.5 m/s ²
Measuring inaccuracy	According with standard EN 12096:1997

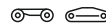


Equipment

Type	Weight-optimised design for bulk and general cargo handling at optimal handling capacity. Complex and stable mountings of equipment and cylinders
Hydraulic cylinders	Liebherr cylinders with special sealing and guide system and, depending on cylinder type, shock absorption
Energy recovering cylinder	Liebherr gas cylinder with special sealing and control system
Bearings	Sealed, low maintenance

* depending on configuration

** for risk assessment according to 2002/44/EC see ISO/TR 25398:2006



Undercarriage

Mobile	
Versions	Standard, High Rise
Drive Standard	One axle drive per drive axle with Liebherr axial piston motor and functional brake valve on both sides
Drive High Rise	One driven axle with transmission with Liebherr axial piston motor and functional brake valve on both sides
Travel speed	0–10.0 km/h stepless
Joystick steering	0– 3.5 km/h stepless (creeper speed) (Diesel) 0– 3.1 km/h stepless (creeper speed) (Electric) 0– 8.0 km/h stepless (High Rise) 0– 5.0 km/h stepless (creeper speed) (High Rise) (Diesel) 0– 2.5 km/h stepless (creeper speed) (High Rise) (Electric)
Driving operation	Automotive driving using accelerator pedal, cruise control function: storage of variable accelerator pedal positions
Axles	90 t drive axles; manual or automatic hydraulically controlled front axle oscillation lock
Service brake	Two circuit travel brake system with accumulator; wet and backlash-free disc brake
Holding brake	Wet multi-disc (spring applied, pressure released)
Stabilization	4 point outriggers
Crawler	
Versions	SW, High Rise, Gantry
Drive	Liebherr compact planetary reduction gear with Liebherr axial piston motor per side of undercarriage
Travel speed	
SW	0–4.1 km/h stepless 0–2.5 km/h stepless (creeper speed)
High Rise	0–2.9 km/h stepless 0–2.0 km/h stepless (creeper speed)
Gantry	0–3.6 km/h stepless 0–2.5 km/h stepless (creeper speed)
Brake	Functional brake valves on both sides
Holding brake	Wet multi-disc (spring applied, pressure released)
Track pads	Triple grouser, flat
Tracks	Sealed and greased

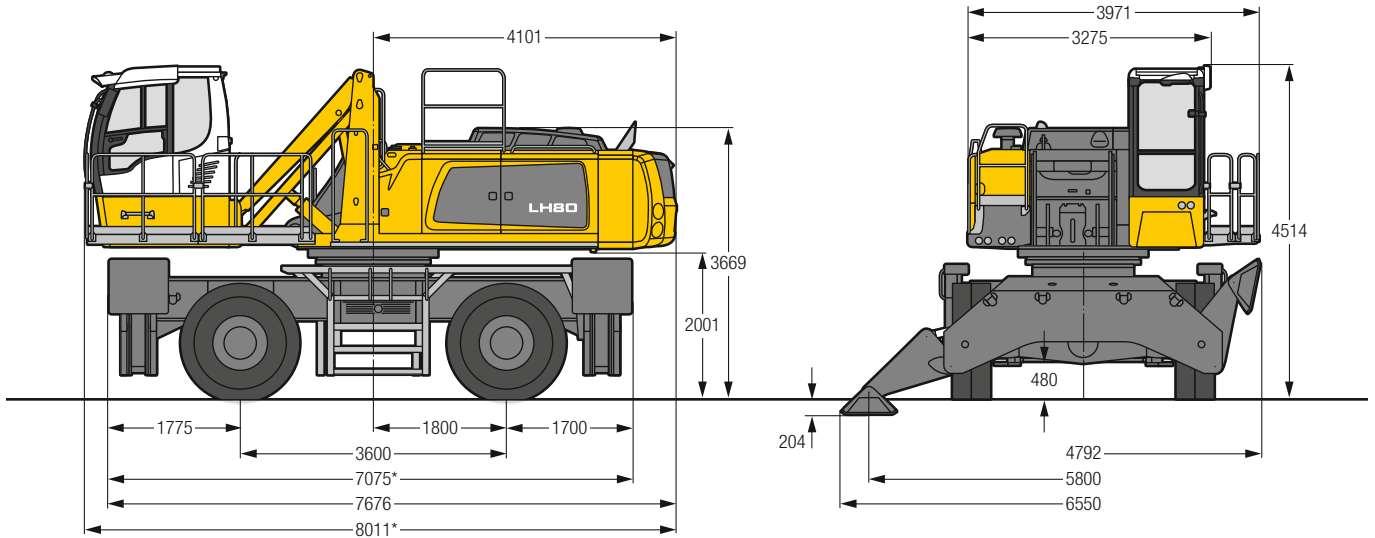


Complete machine

Lubrication	Liebherr central lubrication system for uppercarriage and equipment, automatically
Mobile (Option)	Liebherr central lubrication system for undercarriage, automatically
Steps system	Safe and durable access system with anti-slip steps; main components hot-galvanised
Noise emission	
ISO 6396	70 dB(A) = L _{pA} (inside cab)
2000/14/EC	105 dB(A) = L _{WA} (surround noise)

LH 80 M – Dimensions

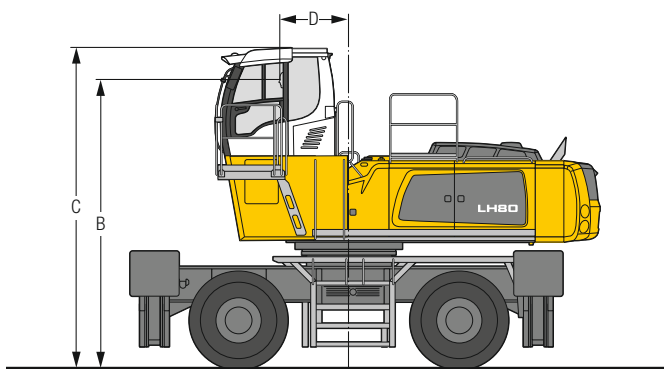
Port



* For electric machines, the length of the machine is increased accordingly by the trailing cable / cable reel system. Detailed dimensions are available on request.

LH 80 M – Choice of cab elevation

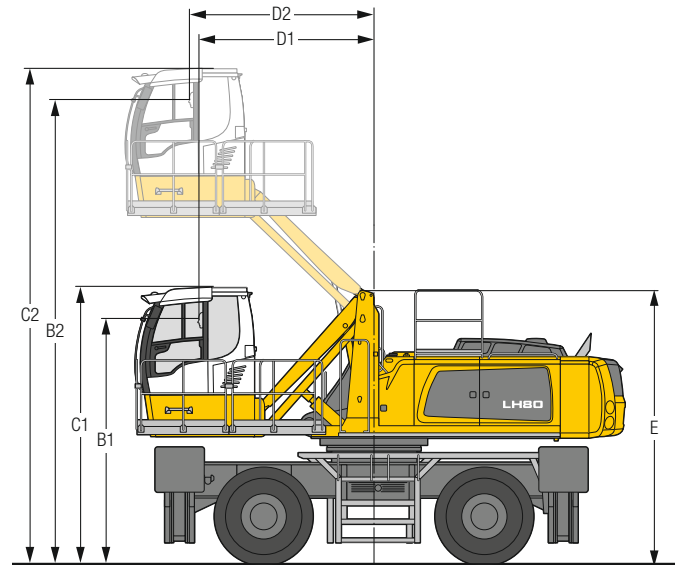
Cab elevation LFC (rigid elevation)



Increase type	LFC 120	LFC 200
Height	1,200 mm	2,000 mm
B	4,701 mm	5,501 mm
C	5,214 mm	6,014 mm
D	1,128 mm	1,128 mm

A rigid cab elevation has a fixed eye level height. For a lower transport height, the shell of the cab can be removed and replaced by a transport device. The dimension C is in this machine design for all rigid cab elevations 3,958 mm.

Cab elevation LHC (hydraulic elevation)



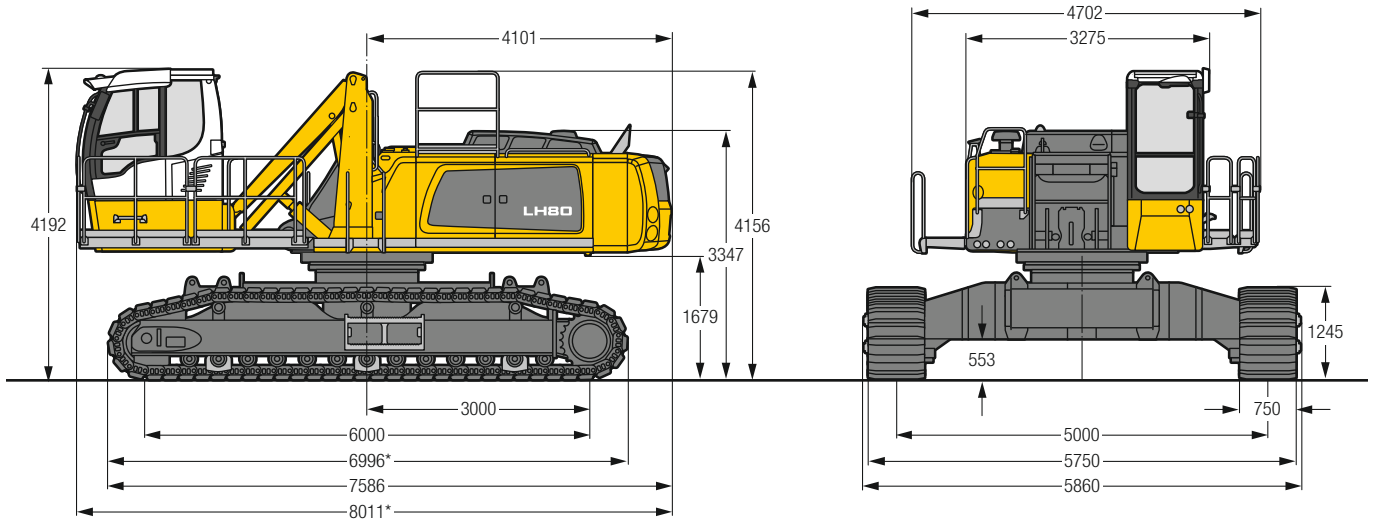
Increase type	LHC 255	LHC 340-35	LHC 360-50
B1	3,501 mm	3,852 mm	4,001 mm
B2	6,048 mm	7,267 mm	7,571 mm
C1	4,014 mm	4,366 mm	4,514 mm
C2	6,561 mm	7,780 mm	8,085 mm
D1	1,683 mm	2,796 mm	2,854 mm
D2	1,809 mm	2,797 mm	3,004 mm
E	3,916 mm	4,306 mm	4,456 mm

The hydraulically adjustable cab allows the driver, that he can choose his field of view freely and at any time within the stroke.

Tyres 23.5-25

LH 80 C SW – Dimensions

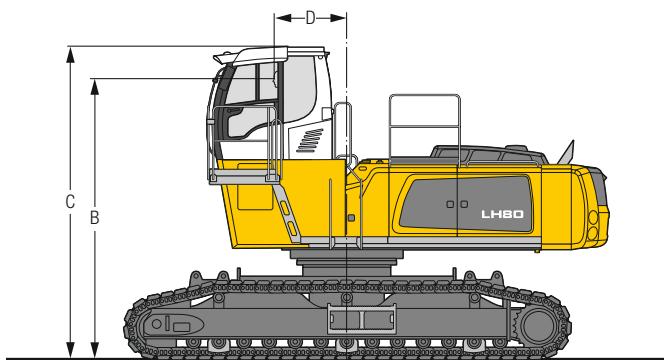
Port



* For electric machines, the length of the machine is increased accordingly by the trailing cable / cable reel system. Detailed dimensions are available on request.

LH 80 C SW – Choice of cab elevation

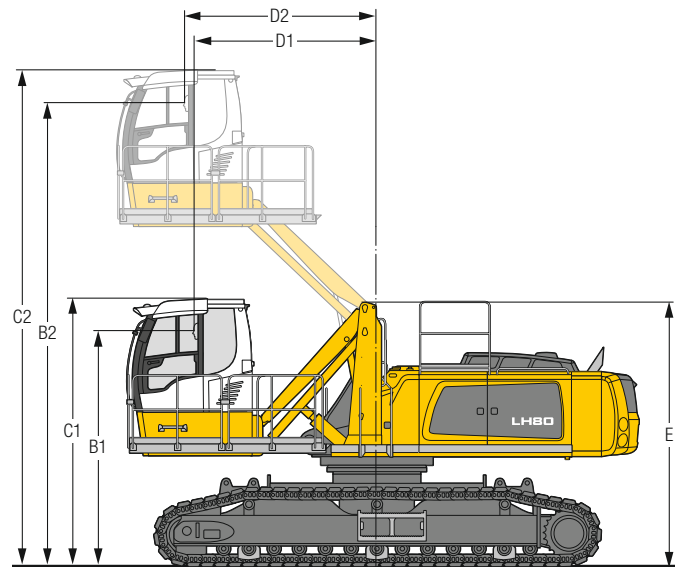
Cab elevation LFC (rigid elevation)



Increase type	LFC 120	LFC 200
Height	1,200 mm	2,000 mm
B	4,379 mm	5,179 mm
C	4,892 mm	5,692 mm
D	1,128 mm	1,128 mm

A rigid cab elevation has a fixed eye level height. For a lower transport height, the shell of the cab can be removed and replaced by a transport device. The dimension C is in this machine design for all rigid cab elevations 3,996 mm.

Cab elevation LHC (hydraulic elevation)

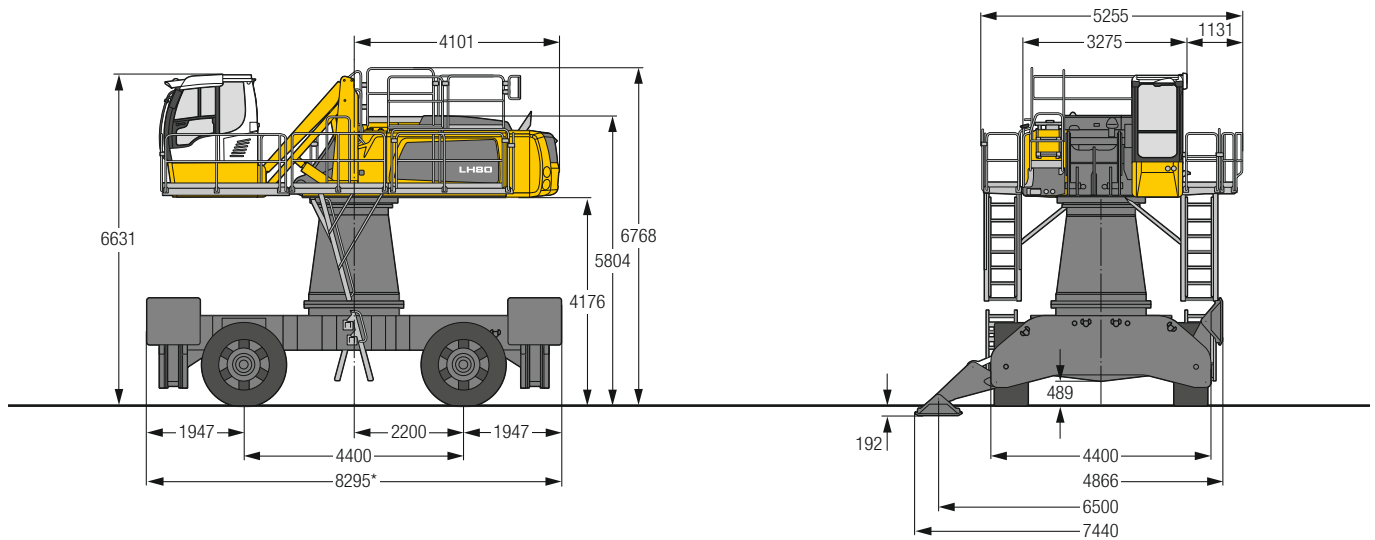


Increase type	LHC 255	LHC 340-35	LHC 360-50
B1	3,179 mm	3,530 mm	3,679 mm
B2	5,726 mm	6,946 mm	7,249 mm
C1	3,693 mm	4,044 mm	4,192 mm
C2	6,239 mm	7,460 mm	7,763 mm
D1	1,683 mm	2,796 mm	2,854 mm
D2	1,809 mm	2,797 mm	3,004 mm
E	3,594 mm	3,984 mm	4,134 mm

The hydraulically adjustable cab allows the driver, that he can choose his field of view freely and at any time within the stroke.

LH 80 M HR – Dimensions

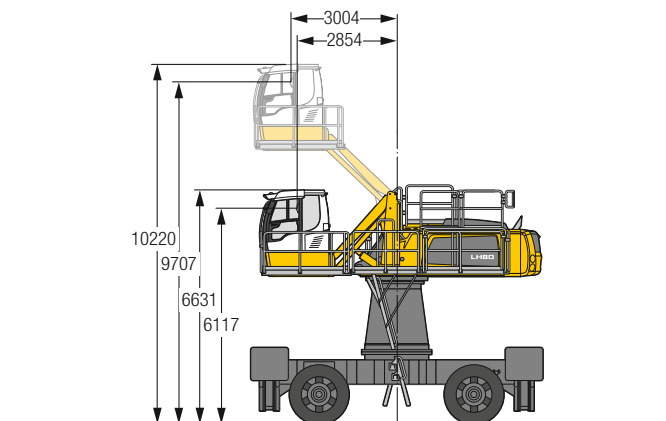
Port



* For electric machines, the length of the machine is increased accordingly by the trailing cable / cable reel system. Detailed dimensions are available on request.

LH 80 M HR – Choice of cab elevation

Cab elevation LHC (hydraulic elevation)

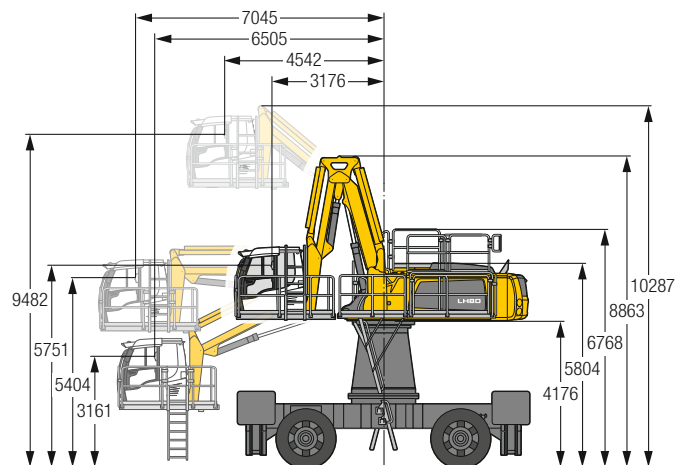


Increase type

LHC 360-50

The hydraulically adjustable cab allows the driver, that he can choose his field of view freely and at any time within the stroke.

Cab elevation LHC-D (hydraulic elevation)



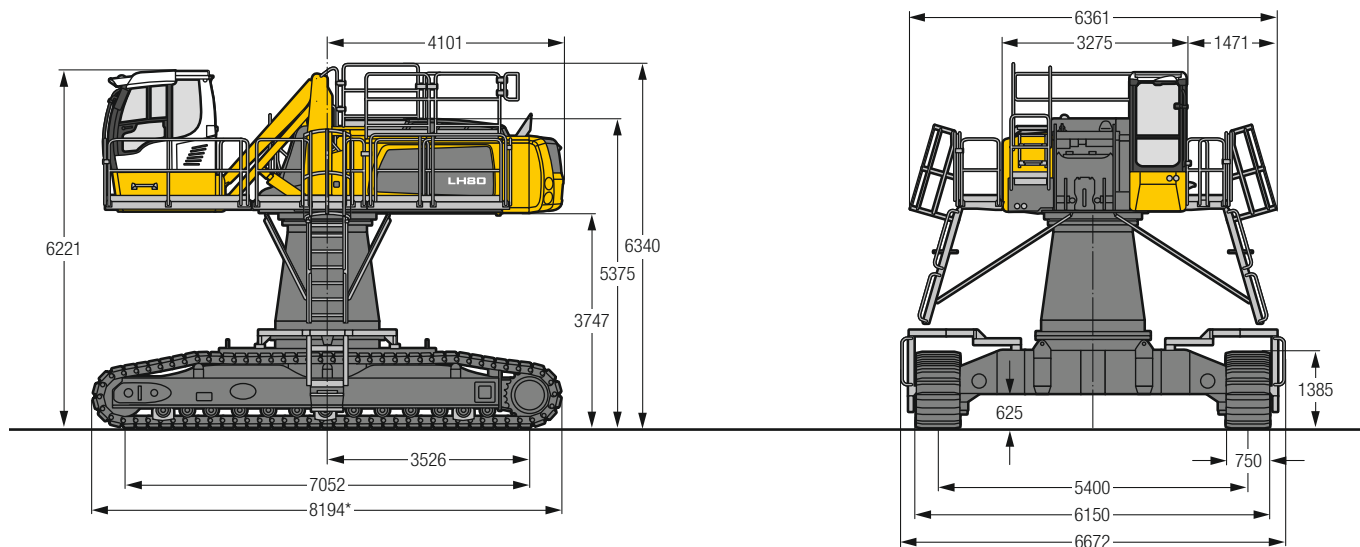
Increase type

LHC-D 730

The hydraulically adjustable cab allows the driver, that he can choose his field of view freely and at any time within the stroke.

LH 80 C HR – Dimensions

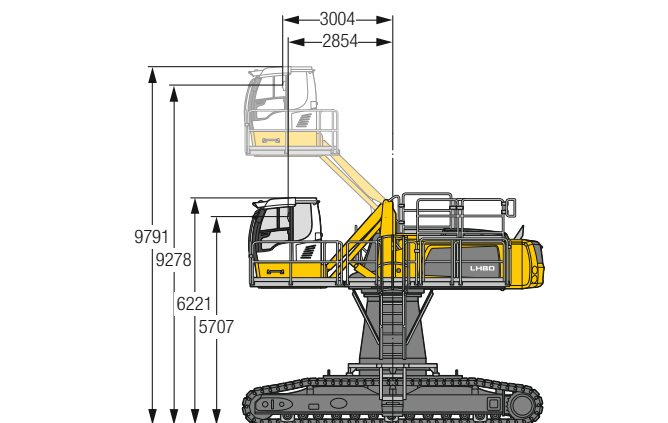
Port



* For electric machines, the length of the machine is increased accordingly by the trailing cable / cable reel system. Detailed dimensions are available on request.

LH 80 C HR – Choice of cab elevation

Cab elevation LHC (hydraulic elevation)

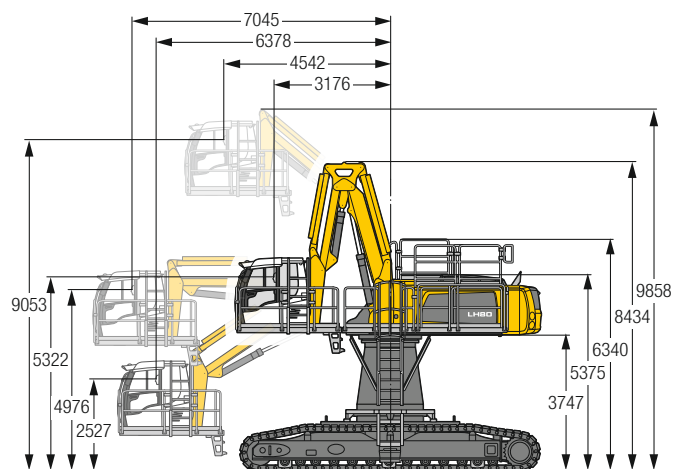


Increase type

LHC 360-50

The hydraulically adjustable cab allows the driver, that he can choose his field of view freely and at any time within the stroke.

Cab elevation LHC-D (hydraulic elevation)



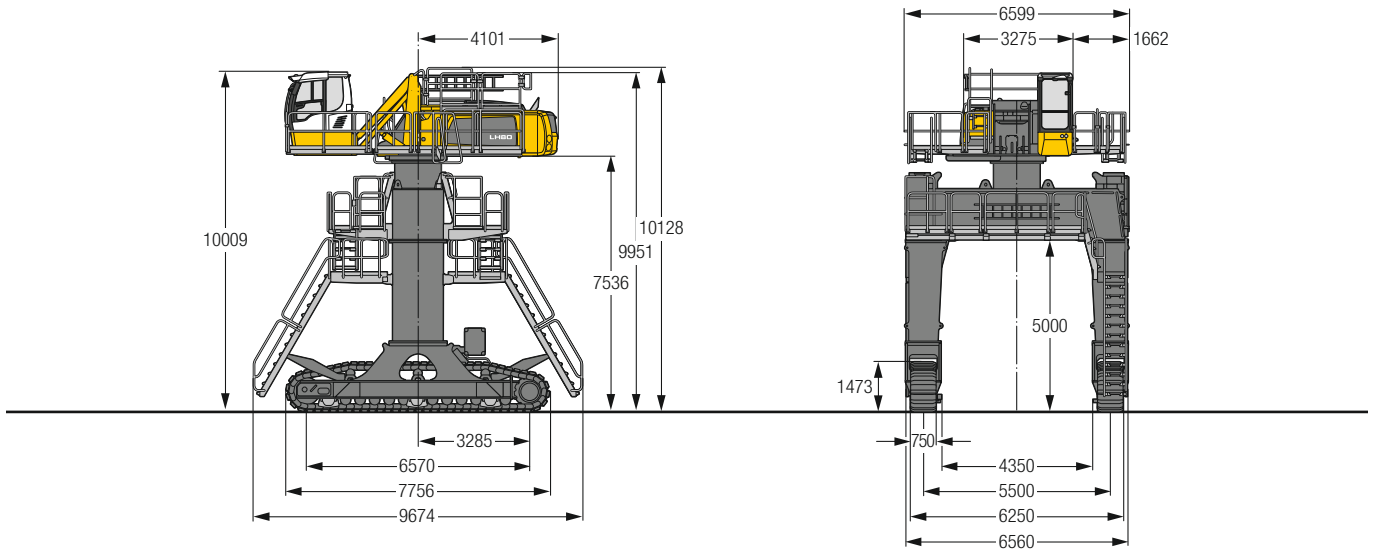
Increase type

LHC-D 730

The hydraulically adjustable cab allows the driver, that he can choose his field of view freely and at any time within the stroke.

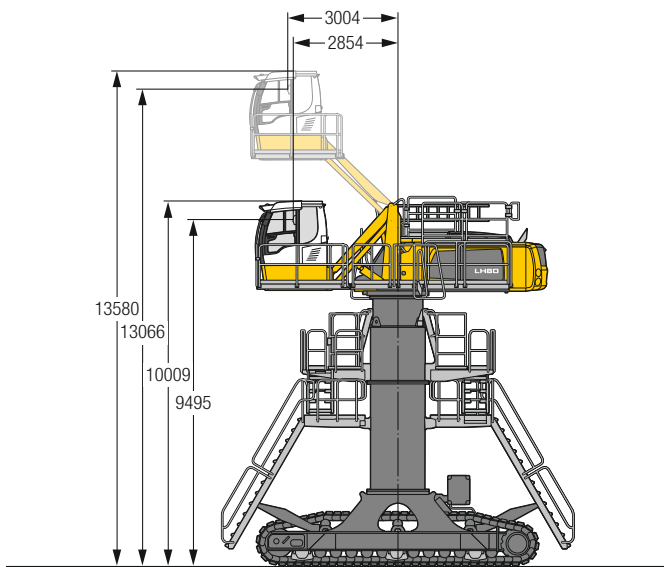
LH 80 C Gantry – Dimensions

Port



LH 80 C Gantry – Cab elevation

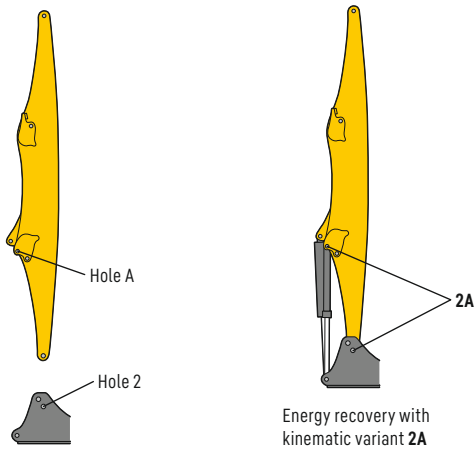
Cab elevation LHC (hydraulic elevation)



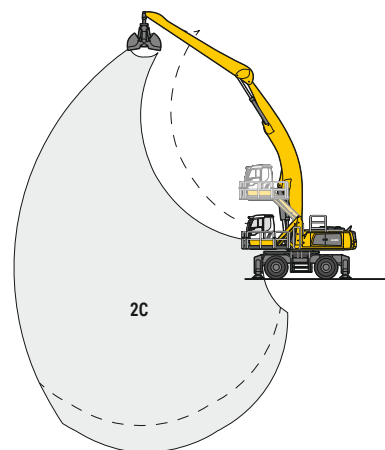
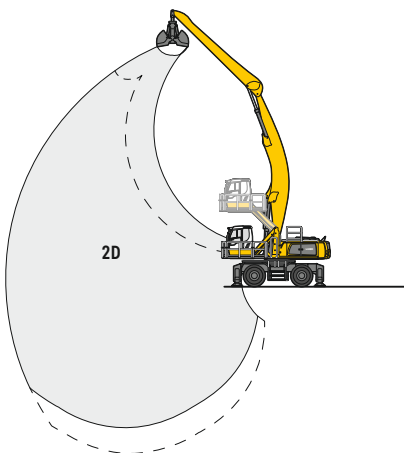
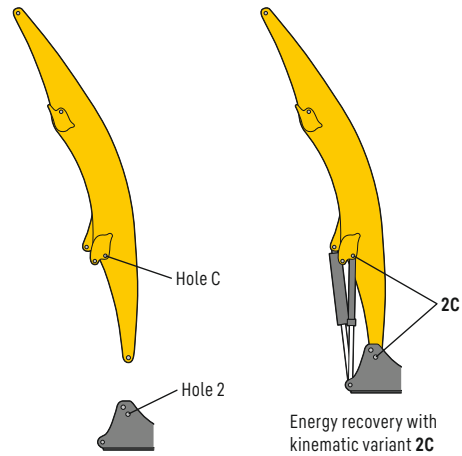
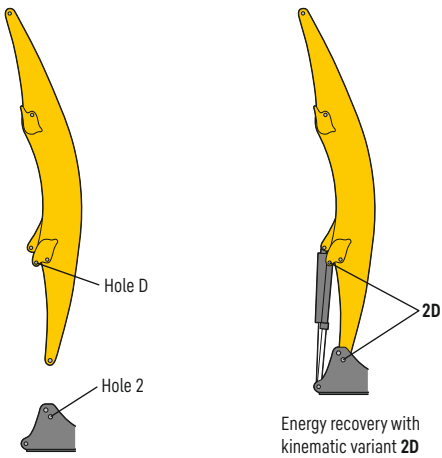
Increase type LHC 360-50

The hydraulically adjustable cab allows the driver, that he can choose his field of view freely and at any time within the stroke.

Kinematic variant 2A



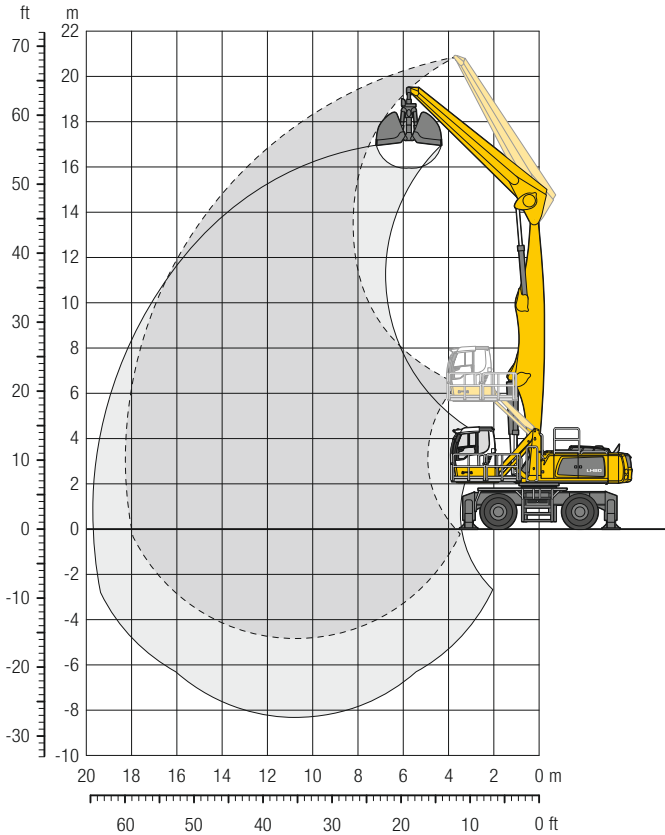
Kinematic variant 2D / 2C



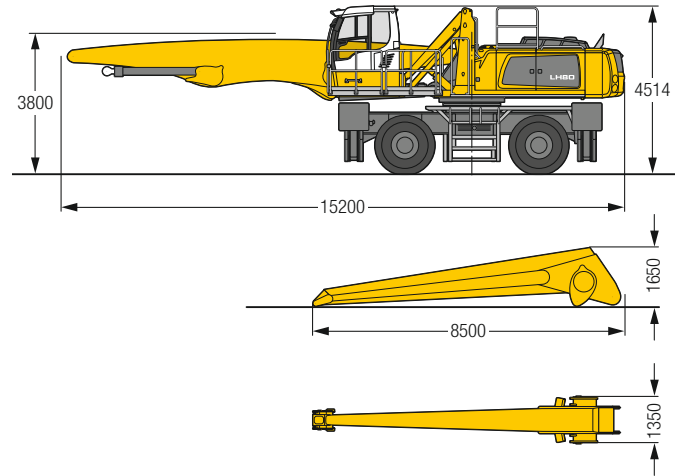
Altered range curve with additional reach depth, e.g. for unloading from ships

LH 80 M – Equipment GG18

Port – Kinematic 2A



Dimensions



Operating weight

The operating weight includes the basic machine with 4 point outriggers, hydr. cab elevation, 4 solid tyres, straight boom 10.50 m, straight stick 8.00 m and grab for loose material GMZ 80 / 8.00 m³.

Weight 80,900 kg

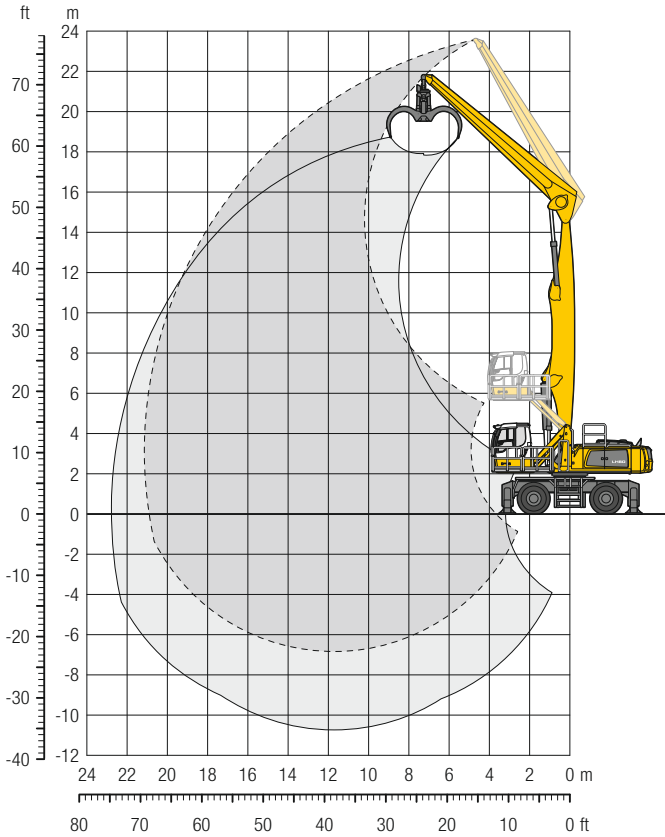
m	Undercarriage	6.0m	7.5m	9.0m	10.5m	12.0m	13.5m	15.0m	16.5m	18.0m	19.5m	21.0m	22.5m	24.0m	m					
		20.7° 20.7°	17.6° 17.6°	17.5° 17.5°	13.8° 13.8°	18.3° 18.3°	16.6° 16.6°	13.8° 13.8°	17.9° 17.9°	16.2° 16.2°	15.0° 15.0°	13.0° 13.0°	11.1° 11.1°	18.3° 18.3°	16.4° 16.4°	15.0° 15.0°	13.8° 13.8°	12.8° 12.8°	11.5° 11.5°	11.9° 11.9°
22.5	4 pt. outriggers down														16.0° 16.0°	8.0				
21.0	4 pt. outriggers down														13.4° 13.4°	10.6				
19.5	4 pt. outriggers down														12.1° 12.1°	12.5				
18.0	4 pt. outriggers down														11.2° 11.2°	13.9				
16.5	4 pt. outriggers down														10.7° 10.7°	15.1				
15.0	4 pt. outriggers down														10.3° 10.3°	16.0				
13.5	4 pt. outriggers down														10.1° 10.1°	16.7				
12.0	4 pt. outriggers down														10.0° 10.0°	17.3				
10.5	4 pt. outriggers down														9.9° 9.9°	17.8				
9.0	4 pt. outriggers down														10.0° 10.0°	18.1				
7.5	4 pt. outriggers down	20.9° 20.9°	22.8° 22.8°	19.7° 19.7°	17.3° 17.3°	15.6° 15.6°	14.1° 14.1°	12.9° 12.9°	11.8° 11.8°						10.0° 10.0°	18.2				
6.0	4 pt. outriggers down	29.2° 29.2°	24.2° 24.2°	20.6° 20.6°	17.9° 17.9°	16.0° 16.0°	14.4° 14.4°	13.1° 13.1°	11.7° 11.7°	10.1 10.4°					9.4° 9.4°	18.3				
4.5	4 pt. outriggers down	32.3° 32.3°	25.8° 25.8°	21.5° 21.5°	18.5° 18.5°	16.3° 16.3°	14.6° 14.6°	13.1° 13.1°	11.5° 11.8°	10.0 10.3°					8.8° 8.8°	18.2				
3.0	4 pt. outriggers down	30.6° 30.6°	27.0° 27.0°	22.3° 22.3°	19.0° 19.0°	16.6° 16.6°	14.7° 14.7°	13.1° 13.1°	11.4° 11.6°	9.9° 9.9°					8.0° 8.0°	18.0				
1.5	4 pt. outriggers down	15.0° 15.0°	27.6° 27.6°	22.7° 22.7°	19.3° 19.3°	16.7° 16.7°	14.7° 14.7°	12.9° 12.9°	11.2° 11.3°	9.2° 9.2°					8.3° 8.3°	17.2				
0	4 pt. outriggers down	13.0° 13.0°	27.3° 27.3°	22.6° 22.6°	19.1° 19.1°	16.5° 16.5°	14.4° 14.4°	12.5° 12.5°	10.7° 10.7°						9.1° 9.1°	15.7				
-1.5	4 pt. outriggers down	13.8° 13.8°	25.9° 25.9°	21.7° 21.7°	18.4° 18.4°	15.9° 15.9°	13.7° 13.7°	11.7° 11.7°	9.5° 9.5°						11.5° 11.5°	12.8				
-3.0	4 pt. outriggers down	15.5° 15.5°	23.2° 23.2°	19.9° 19.9°	17.0° 17.0°	14.6° 14.6°	12.4° 12.4°	10.3° 10.3°												
-4.5	4 pt. outriggers down			17.0° 17.0°	14.7° 14.7°	12.6° 12.6°														
-6.0	4 pt. outriggers down																			

Height Can be slewed through 360° In longitudinal position of undercarriage Max. reach * Limited by hydr. capacity

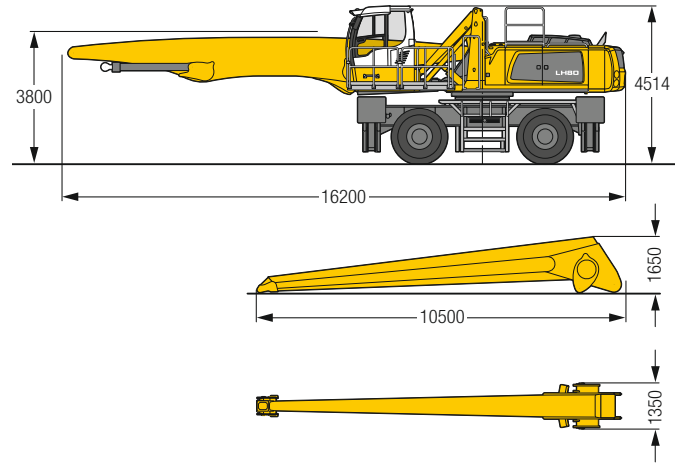
The lift capacities on the stick end without attachment are stated in metric tons (t) and are valid on a firm, level supporting surface with blocked oscillating axle. These capacities can be slewed through 360° with the undercarriage in the transverse position. Capacities in the longitudinal position of the undercarriage (±15°) are specified over the rigid axle with the stabilizers down. Indicated loads based on the ISO 10567 standard and do not exceed 75% of tipping or 87% of hydraulic capacity. The lift capacity values indicated are attained at the corresponding operating temperature. This operating temperature is ensured by continuous movement of the boom. Weights of fitted attachments (grabs, load hooks, etc.) and load accommodation attachment are to be deducted from the lift capacity values. The lift capacity of the unit is limited by its stability, the lifting capability of the hydraulic elements, or the maximum permissible lifting capacity of the load hook. In accordance with the harmonised European Standard EN 474-5, hydraulic excavators used for lifting operations must be equipped with pipe fracture safety valves, an overload warning device, a load hook and a lift capacity chart.

LH 80 M – Equipment GG21

Port – Kinematic 2A



Dimensions



Operating weight

The operating weight includes the basic machine with 4 point outriggers, hydr. cab elevation, 4 solid tyres, straight boom 11.50 m, straight stick 10.00 m and wood grab GMH 80 / 2.20 m².

Weight 80,400 kg

m	Undercarriage	Reach (m)												Stick end		m		
		6.0m	7.5m	9.0m	10.5m	12.0m	13.5m	15.0m	16.5m	18.0m	19.5m	21.0m	22.5m	24.0m	13.5*		13.5*	
22.5	4 pt. outriggers down		15.2* 15.2*															8.4
21.0	4 pt. outriggers down			14.9* 14.9*	12.8* 12.8*													11.3
19.5	4 pt. outriggers down				14.5* 14.5*	12.7* 12.7*												13.4
18.0	4 pt. outriggers down				14.9* 14.9*	13.6* 13.6*	12.4* 12.4*	9.3* 9.3*										15.1
16.5	4 pt. outriggers down				14.6* 14.6*	13.4* 13.4*	12.4* 12.4*	11.6* 11.6*										16.4
15.0	4 pt. outriggers down				14.5* 14.5*	13.3* 13.3*	12.3* 12.3*	11.5* 11.5*	10.8* 10.8*									17.5
13.5	4 pt. outriggers down				14.5* 14.5*	13.3* 13.3*	12.3* 12.3*	11.4* 11.4*	10.7* 10.7*	9.5* 9.5*								18.5
12.0	4 pt. outriggers down				14.7* 14.7*	13.4* 13.4*	12.3* 12.3*	11.4* 11.4*	10.7* 10.7*	10.0* 10.0*								19.2
10.5	4 pt. outriggers down				15.0* 15.0*	13.6* 13.6*	12.5* 12.5*	11.5* 11.5*	10.7* 10.7*	10.0* 10.0*	9.0* 9.0*							19.9
9.0	4 pt. outriggers down			16.8* 16.8*	15.4* 15.4*	13.9* 13.9*	12.7* 12.7*	11.7* 11.7*	10.8* 10.8*	10.0* 10.0*	9.0 9.3*							20.3
7.5	4 pt. outriggers down		16.2* 16.2*	18.0* 18.0*	15.9* 15.9*	14.3* 14.3*	12.9* 12.9*	11.8* 11.8*	10.9* 10.9*	10.1* 10.1*	9.0 9.3*							20.7
6.0	4 pt. outriggers down	15.8* 15.8*	19.8* 19.8*	18.9* 18.9*	16.5* 16.5*	14.7* 14.7*	13.2* 13.2*	12.0* 12.0*	11.0* 11.0*	10.1* 10.1*	8.9 9.2*							21.0
4.5	4 pt. outriggers down	29.5* 29.5*	23.7* 23.7*	19.8* 19.8*	17.1* 17.1*	15.1* 15.1*	13.5* 13.5*	12.2* 12.2*	11.1* 11.1*	10.0 10.1*	8.7 9.2*	7.7 8.0*						21.1
3.0	4 pt. outriggers down	31.7* 31.7*	25.0* 25.0*	20.7* 20.7*	17.7* 17.7*	15.4* 15.4*	13.7* 13.7*	12.3* 12.3*	11.1* 11.1*	9.8 10.1*	8.6 9.0*	7.6 7.7*						21.2
1.5	4 pt. outriggers down	16.4* 16.4*	25.9* 25.9*	21.3* 21.3*	18.1* 18.1*	15.7* 15.7*	13.9* 13.9*	12.4* 12.4*	11.0 11.1*	9.6 9.9*	8.5 8.8*	7.2* 7.2*						21.1
0	4 pt. outriggers down	11.4* 11.4*	26.2* 26.2*	21.5* 21.5*	18.2* 18.2*	15.8* 15.8*	13.9* 13.9*	12.3* 12.3*	10.7 10.9*	9.4 9.7*	8.4* 8.4*							20.9
-1.5	4 pt. outriggers down	10.9* 10.9*	21.2* 21.2*	21.3* 21.3*	18.0* 18.0*	15.6* 15.6*	13.6* 13.6*	12.0* 12.0*	10.5 10.6*	9.2* 9.2*	7.7* 7.7*							20.5
-3.0	4 pt. outriggers down	11.6* 11.6*	19.5* 19.5*	20.4* 20.4*	17.4* 17.4*	15.0* 15.0*	13.1* 13.1*	11.4* 11.4*	9.9* 9.9*	8.4* 8.4*	6.5* 6.5*							19.6
-4.5	4 pt. outriggers down	12.8* 12.8*	19.6* 19.6*	18.7* 18.7*	16.1* 16.1*	14.0* 14.0*	12.1* 12.1*	10.5* 10.5*	8.9* 8.9*	7.1* 7.1*								18.1
-6.0	4 pt. outriggers down		16.2* 16.2*	14.2* 14.2*	12.3* 12.3*	10.6* 10.6*	9.0* 9.0*											15.6

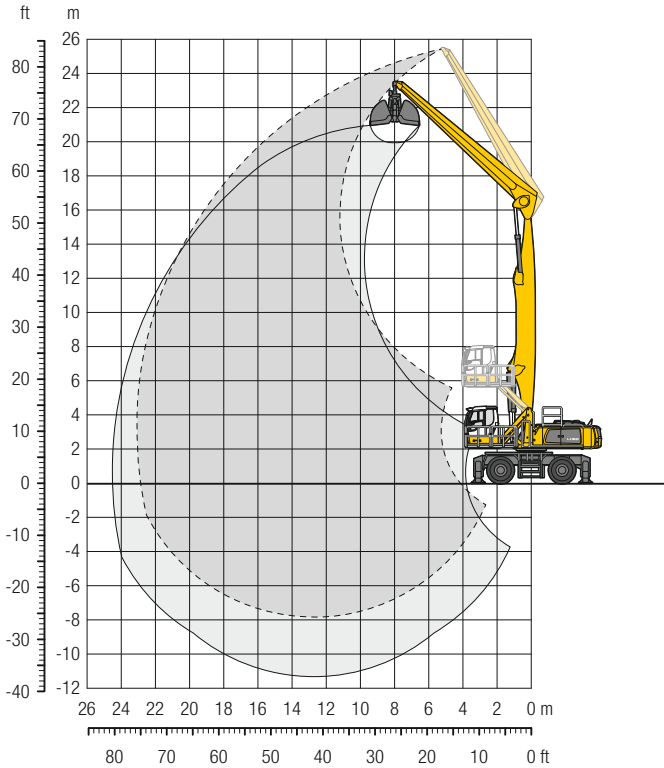
Height Can be slewed through 360° In longitudinal position of undercarriage Max. reach * Limited by hydr. capacity

The lift capacities on the stick end without attachment are stated in metric tons (t) and are valid on a firm, level supporting surface with blocked oscillating axle. These capacities can be slewed through 360° with the undercarriage in the transverse position. Capacities in the longitudinal position of the undercarriage (±15°) are specified over the rigid axle with the stabilizers down. Indicated loads based on the ISO 10567 standard and do not exceed 75% of tipping or 87% of hydraulic capacity. The lift capacity values indicated are attained at the corresponding operating temperature. This operating temperature is ensured by continuous movement of the boom. Weights of fitted attachments (grabs, load hooks, etc.) and load accommodation attachment are to be deducted from the lift capacity values. The lift capacity of the unit is limited by its stability, the lifting capability of the hydraulic elements, or the maximum permissible lifting capacity of the load hook.

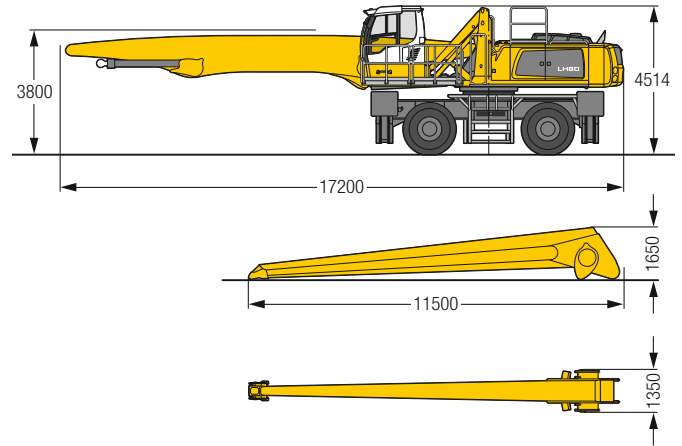
In accordance with the harmonised European Standard EN 474-5, hydraulic excavators used for lifting operations must be equipped with pipe fracture safety valves, an overload warning device, a load hook and a lift capacity chart.

LH 80 M – Equipment GG23

Port – Kinematic 2A



Dimensions



Operating weight

The operating weight includes the basic machine with 4 point outriggers, hydr. cab elevation, 4 solid tyres, straight boom 12.50m, straight stick 11.00m and grab for loose material GMZ 80 / 6.00 m³.

Weight 82,200 kg

m	Undercarriage	Reach (m)												Max. reach		m					
		6.0m	7.5m	9.0m	10.5m	12.0m	13.5m	15.0m	16.5m	18.0m	19.5m	21.0m	22.5m	24.0m	15.4*		15.4*				
25.5	4 pt. outriggers down																		15.4*	15.4*	5.8
24.0	4 pt. outriggers down		14.8* 14.8*	12.9* 12.9*															11.1*	11.1*	10.0
22.5	4 pt. outriggers down			14.2* 14.2*	12.8* 12.8*	10.8* 10.8*													9.4*	9.4*	12.7
21.0	4 pt. outriggers down				13.7* 13.7*	12.5* 12.5*	10.8* 10.8*												8.4*	8.4*	14.8
19.5	4 pt. outriggers down					12.9* 12.9*	11.9* 11.9*	10.6* 10.6*											7.8*	7.8*	16.4
18.0	4 pt. outriggers down					12.7* 12.7*	11.7* 11.7*	10.8* 10.8*	10.1* 10.1*										7.3*	7.3*	17.8
16.5	4 pt. outriggers down					12.6* 12.6*	11.6* 11.6*	10.7* 10.7*	10.0* 10.0*	9.3* 9.3*									7.0*	7.0*	19.0
15.0	4 pt. outriggers down					12.6* 12.6*	11.6* 11.6*	10.7* 10.7*	9.9* 9.9*	9.3* 9.3*	8.1* 8.1*								6.7*	6.7*	19.9
13.5	4 pt. outriggers down					12.7* 12.7*	11.6* 11.6*	10.7* 10.7*	9.9* 9.9*	9.3* 9.3*	8.7* 8.7*								6.6*	6.6*	20.8
12.0	4 pt. outriggers down					12.8* 12.8*	11.7* 11.7*	10.8* 10.8*	10.0* 10.0*	9.3* 9.3*	8.7* 8.7*	7.9* 7.9*							6.5*	6.5*	21.5
10.5	4 pt. outriggers down				14.5* 14.5*	13.0* 13.0*	11.9* 11.9*	10.9* 10.9*	10.0* 10.0*	9.3* 9.3*	8.7* 8.7*	7.9 8.1*							6.4*	6.4*	22.0
9.0	4 pt. outriggers down			14.7* 14.7*	14.9* 14.9*	13.3* 13.3*	12.1* 12.1*	11.0* 11.0*	10.1* 10.1*	9.4* 9.4*	8.7* 8.7*	7.9 8.0*							6.3*	6.3*	22.5
7.5	4 pt. outriggers down		13.8* 13.8*	16.2* 16.2*	15.3* 15.3*	13.6* 13.6*	12.3* 12.3*	11.2* 11.2*	10.2* 10.2*	9.4* 9.4*	8.7* 8.7*	7.8 8.0*	6.8 7.2*						6.3*	6.3*	22.8
6.0	4 pt. outriggers down	13.2* 13.2*	17.1* 17.1*	18.3* 18.3*	15.9* 15.9*	14.0* 14.0*	12.5* 12.5*	11.3* 11.3*	10.4* 10.4*	9.5* 9.5*	8.7* 8.7*	7.7 8.0*	6.7 7.2*						6.4*	6.4*	23.0
4.5	4 pt. outriggers down	26.6* 26.6*	22.9* 22.9*	19.1* 19.1*	16.4* 16.4*	14.4* 14.4*	12.8* 12.8*	11.5* 11.5*	10.4* 10.4*	9.5* 9.5*	8.6 8.7*	7.5 7.9*	6.7 7.0*						6.3*	6.4*	23.2
3.0	4 pt. outriggers down	30.5* 30.5*	24.0* 24.0*	19.8* 19.8*	16.8* 16.8*	14.7* 14.7*	13.0* 13.0*	11.6* 11.6*	10.5* 10.5*	9.5* 9.5*	8.4 8.7*	7.4 7.8*	6.6 6.8*						6.1*	6.1*	23.2
1.5	4 pt. outriggers down	11.8* 11.8*	24.7* 24.7*	20.3* 20.3*	17.2* 17.2*	14.9* 14.9*	13.1* 13.1*	11.7* 11.7*	10.5* 10.5*	9.3 9.5*	8.2 8.6*	7.3 7.6*	6.5* 6.5*						5.8*	5.8*	23.1
0	4 pt. outriggers down	8.4* 8.4*	20.0* 20.0*	20.5* 20.5*	17.3* 17.3*	15.0* 15.0*	13.1* 13.1*	11.7* 11.7*	10.4 10.4*	9.1 9.3*	8.1 8.3*	7.2 7.3*	6.0* 6.0*						5.3*	5.3*	23.0
-1.5	4 pt. outriggers down	8.2* 8.2*	15.6* 15.6*	20.2* 20.2*	17.2* 17.2*	14.8* 14.8*	13.0* 13.0*	11.5* 11.5*	10.1 10.2*	8.9 9.1*	7.9 8.0*	6.8* 6.8*	5.1* 5.1*						4.9*	4.9*	22.7
-3.0	4 pt. outriggers down	8.8* 8.8*	14.5* 14.5*	19.5* 19.5*	16.6* 16.6*	14.4* 14.4*	12.6* 12.6*	11.1* 11.1*	9.8* 9.8*	8.6* 8.6*	7.4* 7.4*	6.1* 6.1*							5.1*	5.1*	21.8
-4.5	4 pt. outriggers down	9.8* 9.8*	14.7* 14.7*	18.1* 18.1*	15.6* 15.6*	13.6* 13.6*	11.9* 11.9*	10.4* 10.4*	9.1* 9.1*	7.9* 7.9*	6.6* 6.6*								5.5*	5.5*	20.6
-6.0	4 pt. outriggers down		15.5* 15.5*	16.1* 16.1*		14.1* 14.1*	12.3* 12.3*	10.8* 10.8*	9.4* 9.4*	8.1* 8.1*	6.8* 6.8*								6.1*	6.1*	18.7
-7.5	4 pt. outriggers down				11.9* 11.9*	10.6* 10.6*	9.2* 9.2*	7.9* 7.9*											7.8*	7.8*	15.1

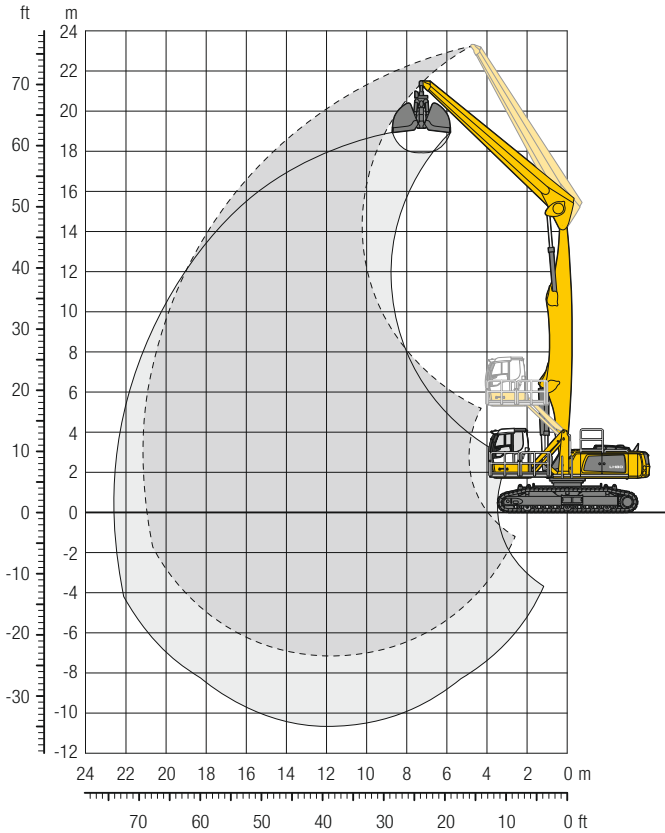
Height Can be slewed through 360° In longitudinal position of undercarriage Max. reach * Limited by hydr. capacity

The lift capacities on the stick end without attachment are stated in metric tons (t) and are valid on a firm, level supporting surface with blocked oscillating axle. These capacities can be slewed through 360° with the undercarriage in the transverse position. Capacities in the longitudinal position of the undercarriage (±15°) are specified over the rigid axle with the stabilizers down. Indicated loads based on the ISO 10567 standard and do not exceed 75% of tipping or 87% of hydraulic capacity. The lift capacity values indicated are attained at the corresponding operating temperature. This operating temperature is ensured by continuous movement of the boom. Weights of fitted attachments (grabs, load hooks, etc.) and load accommodation attachment are to be deducted from the lift capacity values. The lift capacity of the unit is limited by its stability, the lifting capability of the hydraulic elements, or the maximum permissible lifting capacity of the load hook.

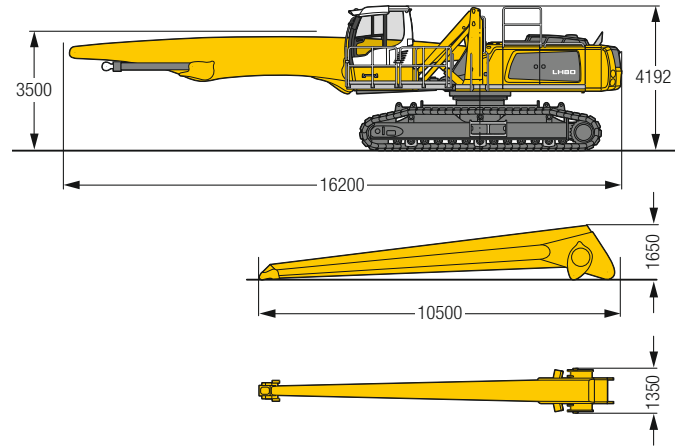
In accordance with the harmonised European Standard EN 474-5, hydraulic excavators used for lifting operations must be equipped with pipe fracture safety valves, an overload warning device, a load hook and a lift capacity chart.

LH 80 C SW – Equipment GG21

Port – Kinematic 2A



Dimensions



Operating weight and ground pressure

The operating weight includes the basic machine with hydr. cab elevation, straight boom 11.50m, straight stick 10.00m and grab for loose material GMZ 80 / 6.00m³.

Weight	85,600 kg
Pad width	750 mm
Ground pressure	on request

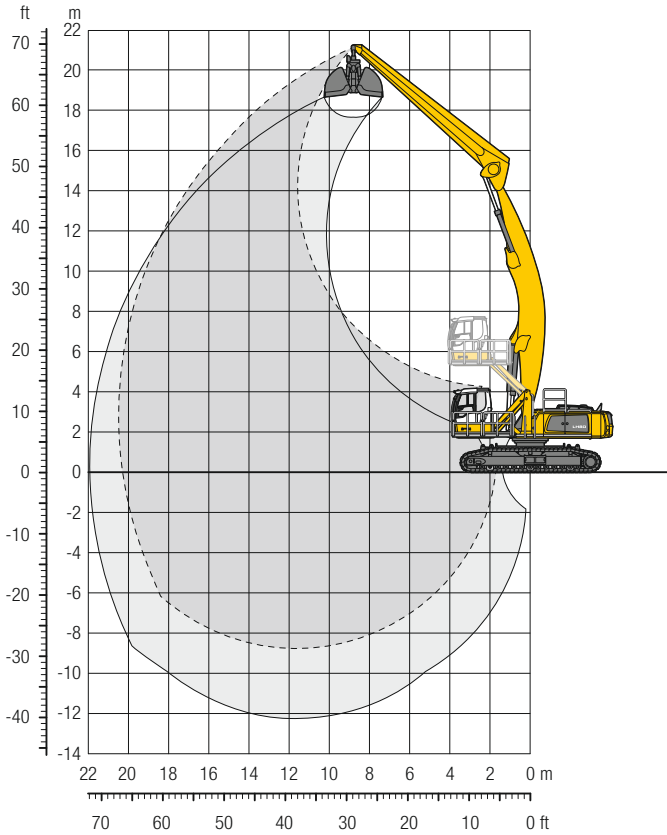
m	Undercarriage	6.0m	7.5m	9.0m	10.5m	12.0m	13.5m	15.0m	16.5m	18.0m	19.5m	21.0m	22.5m	24.0m	m	
22.5	SW	17.1* 17.1*													14.7* 14.7*	7.3
21.0	SW			14.5* 14.5*	11.8* 11.8*										11.6* 11.6*	10.6
19.5	SW			15.6* 15.6*	14.2* 14.2*	12.1* 12.1*									10.2* 10.2*	12.9
18.0	SW				15.0* 15.0*	13.7* 13.7*	11.8* 11.8*								9.3* 9.3*	14.6
16.5	SW				14.7* 14.7*	13.4* 13.4*	12.4* 12.4*	11.3* 11.3*							8.7* 8.7*	16.1
15.0	SW				14.5* 14.5*	13.3* 13.3*	12.3* 12.3*	11.5* 11.5*	10.4* 10.4*						8.3* 8.3*	17.2
13.5	SW				14.5* 14.5*	13.3* 13.3*	12.3* 12.3*	11.4* 11.4*	10.7* 10.7*	8.8* 8.8*					8.0* 8.0*	18.2
12.0	SW				14.6* 14.6*	13.4* 13.4*	12.3* 12.3*	11.4* 11.4*	10.7* 10.7*	9.8 10.0*					7.8* 7.8*	19.0
10.5	SW				14.9* 14.9*	13.5* 13.5*	12.4* 12.4*	11.5* 11.5*	10.7* 10.7*	9.8 10.0*	8.4 8.5*				7.7* 7.7*	19.7
9.0	SW			16.6* 16.6*	15.3* 15.3*	13.8* 13.8*	12.6* 12.6*	11.6* 11.6*	10.8* 10.8*	9.7 10.0*	8.4 9.3*				7.7* 7.7*	20.2
7.5	SW			17.8* 17.8*	15.8* 15.8*	14.2* 14.2*	12.9* 12.9*	11.8* 11.8*	10.9* 10.9*	9.6 10.1*	8.3 9.3*				7.4 7.6*	20.6
6.0	SW	14.6* 14.6*	18.4* 18.4*	18.7* 18.7*	16.3* 16.3*	14.6* 14.6*	13.1* 13.1*	12.0* 12.0*	10.9 11.0*	9.4 10.1*	8.2 9.3*				7.2 7.7*	20.9
4.5	SW	23.1* 23.1*	23.3* 23.3*	19.6* 19.6*	16.9* 16.9*	15.0* 15.0*	13.4* 13.4*	12.1* 12.1*	10.7 11.1*	9.3 10.1*	8.1 9.2*	7.1 8.0*			7.1 7.7*	21.1
3.0	SW	31.2* 31.2*	24.7* 24.7*	20.5* 20.5*	17.5* 17.5*	15.4* 15.4*	13.7* 13.7*	12.1 12.3*	10.4 11.1*	9.1 10.1*	8.0 9.1*	7.0 7.8*			7.0 7.6*	21.2
1.5	SW	20.7* 20.7*	25.7* 25.7*	21.2* 21.2*	18.0* 18.0*	15.6* 15.6*	13.7 13.8*	11.7 12.4*	10.1 11.1*	8.9 10.0*	7.8 8.9*	7.0 7.4*			6.9 7.2*	21.1
0	SW	12.1* 12.1*	26.2* 26.2*	21.5* 21.5*	18.2* 18.2*	15.7 15.8*	13.3 13.9*	11.4 12.3*	9.9 11.0*	8.7 9.8*	7.7 8.5*				6.7* 6.7*	21.0
-1.5	SW	10.8* 10.8*	22.4* 22.4*	21.4* 21.4*	18.1* 18.1*	15.2 15.7*	12.9 13.7*	11.1 12.1*	9.7 10.7*	8.6 9.4*	7.7 7.9*				6.1* 6.1*	20.7
-3.0	SW	11.3* 11.3*	19.7* 19.7*	20.7* 20.7*	17.6* 17.6*	14.8 15.2*	12.6 13.3*	10.9 11.6*	9.6 10.1*	8.5 8.7*	6.9* 6.9*				6.3* 6.3*	19.9
-4.5	SW	12.4* 12.4*	19.4* 19.4*	19.3* 19.3*	16.5* 16.5*	14.3* 14.3*	12.4 12.4*	10.8 10.8*	9.2* 9.2*	7.6* 7.6*					6.8* 6.8*	18.6
-6.0	SW		19.5* 19.5*	17.0* 17.0*	14.8* 14.8*	12.9* 12.9*	11.1* 11.1*	9.5* 9.5*							7.9* 7.9*	16.5

Height Can be slewed through 360° In longitudinal position of undercarriage Max. reach * Limited by hydr. capacity

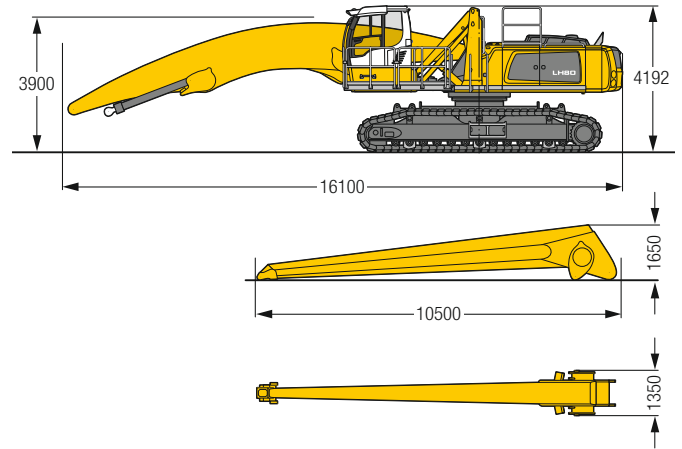
The lift capacities on the stick end without attachment are stated in metric tons (t) and can be slewed through 360° on a firm, level supporting surface. Capacities are valid for 750 mm wide flat pads. Indicated loads based on the ISO 10567 standard and do not exceed 75% of tipping or 87% of hydraulic capacity. The lift capacity values indicated are attained at the corresponding operating temperature. This operating temperature is ensured by continuous movement of the boom. Weights of fitted attachments (grabs, load hooks, etc.) and load accommodation attachment are to be deducted from the lift capacity values. The lift capacity of the unit is limited by its stability, the lifting capability of the hydraulic elements, or the maximum permissible lifting capacity of the load hook. In accordance with the harmonised European Standard EN 474-5, hydraulic excavators used for lifting operations must be equipped with pipe fracture safety valves, an overload warning device, a load hook and a lift capacity chart.

LH 80 C SW – Equipment AG21

Port – Kinematic 2D



Dimensions



Operating weight and ground pressure

The operating weight includes the basic machine with hydr. cab elevation, angled boom 11.50m, straight stick 10.00m and grab for loose material GMZ 80 / 6.00m³.

Weight	86,300 kg
Pad width	750 mm
Ground pressure	on request

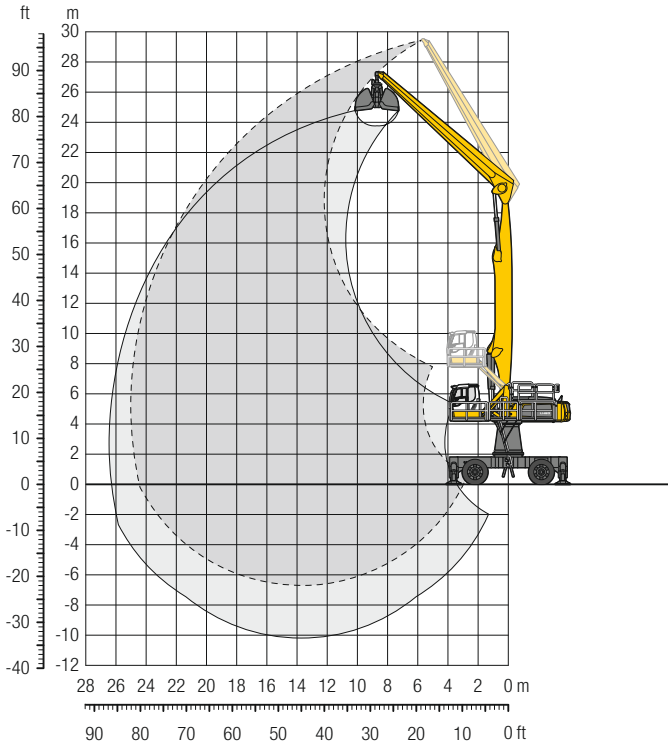
m	Undercarriage	6.0m	7.5m	9.0m	10.5m	12.0m	13.5m	15.0m	16.5m	18.0m	19.5m	21.0m	22.5m	24.0m	m	
21.0	SW			11.2* 11.2*											10.9* 10.9*	9.2
19.5	SW				11.5* 11.5*										9.6* 9.6*	11.7
18.0	SW					11.5* 11.5*	9.1* 9.1*								8.8* 8.8*	13.6
16.5	SW					11.2* 11.2*	10.6* 10.6*	8.7* 8.7*							8.3* 8.3*	15.2
15.0	SW					11.1* 11.1*	10.4* 10.4*	9.9* 9.9*							8.0* 8.0*	16.4
13.5	SW					11.1* 11.1*	10.4* 10.4*	9.8* 9.8*	9.4* 9.4*						7.8* 7.8*	17.4
12.0	SW					11.1* 11.1*	10.4* 10.4*	9.9* 9.9*	9.4* 9.4*	8.5* 8.5*					7.7* 7.7*	18.3
10.5	SW					11.4* 11.4*	10.6* 10.6*	10.0* 10.0*	9.4* 9.4*	9.0* 9.0*					7.6* 7.6*	19.0
9.0	SW				12.7* 12.7*	11.7* 11.7*	10.8* 10.8*	10.1* 10.1*	9.6* 9.6*	9.1* 9.1*	7.7* 7.7*				7.7* 7.7*	19.5
7.5	SW			14.8* 14.8*	13.3* 13.3*	12.1* 12.1*	11.1* 11.1*	10.4* 10.4*	9.7* 9.7*	9.2* 9.2*	8.4 8.7*				7.7* 7.7*	19.9
6.0	SW		18.2* 18.2*	15.8* 15.8*	14.0* 14.0*	12.6* 12.6*	11.5* 11.5*	10.6* 10.6*	9.9* 9.9*	9.3* 9.3*	8.3 8.8*				7.8 7.8*	20.2
4.5	SW	24.4* 24.4*	19.9* 19.9*	16.9* 16.9*	14.7* 14.7*	13.2* 13.2*	11.9* 11.9*	10.9* 10.9*	10.1* 10.1*	9.4 9.4*	8.2 8.8*				7.5 8.0*	20.4
3.0	SW	27.3* 27.3*	21.6* 21.6*	18.0* 18.0*	15.5* 15.5*	13.7* 13.7*	12.3* 12.3*	11.2* 11.2*	10.3* 10.3*	9.2 9.6*	8.1 8.9*				7.4 8.2*	20.5
1.5	SW	29.8* 29.8*	23.2* 23.2*	19.1* 19.1*	16.3* 16.3*	14.3* 14.3*	12.7* 12.7*	11.5* 11.5*	10.3 10.5*	9.0 9.7*	7.9 8.9*				7.3 8.4*	20.5
0	SW	17.7* 17.7*	24.5* 24.5*	20.0* 20.0*	17.0* 17.0*	14.8* 14.8*	13.1* 13.1*	11.6 11.8*	10.0 10.7*	8.8 9.8*	7.8 8.9*				7.3 8.4*	20.3
-1.5	SW	14.8* 14.8*	25.2* 25.2*	20.6* 20.6*	17.4* 17.4*	15.1* 15.1*	13.0 13.3*	11.2 11.9*	9.8 10.8*	8.6 9.7*	7.7 8.7*				7.4 8.3*	20.0
-3.0	SW	14.3* 14.3*	23.2* 23.2*	20.9* 20.9*	17.6* 17.6*	14.9 15.3*	12.7 13.4*	11.0 11.9*	9.6 10.7*	8.5 9.6*	7.6 8.4*				7.5 8.2*	19.6
-4.5	SW	14.6* 14.6*	21.8* 21.8*	20.6* 20.6*	17.5* 17.5*	14.6 15.2*	12.4 13.3*	10.8 11.8*	9.5 10.4*	8.4 9.1*					7.8 8.1*	19.1
-6.0	SW	15.4* 15.4*	21.7* 21.7*	19.9* 19.9*	17.0* 17.0*	14.4 14.7*	12.3 12.9*	10.7 11.3*	9.4 9.8*	8.3* 8.3*					7.8* 7.8*	18.5
-7.5	SW		21.6* 21.6*	18.4* 18.4*	15.9* 15.9*	13.8* 13.8*	12.0* 12.0*	10.4* 10.4*	8.8* 8.8*						8.7* 8.7*	16.5

Height Can be slewed through 360° In longitudinal position of undercarriage Max. reach * Limited by hydr. capacity

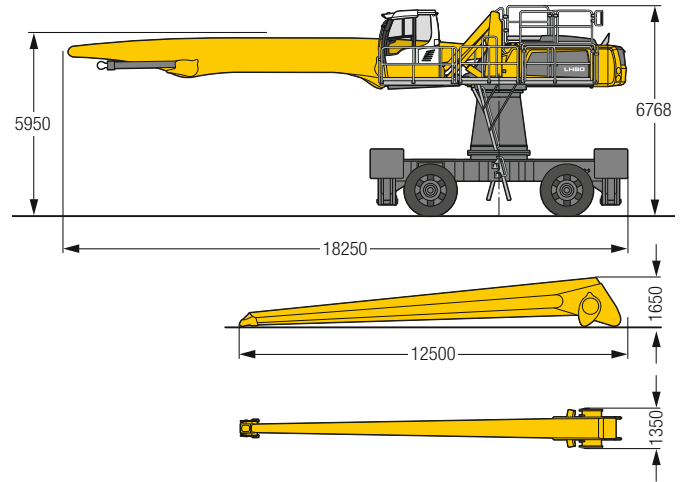
The lift capacities on the stick end without attachment are stated in metric tons (t) and can be slewed through 360° on a firm, level supporting surface. Capacities are valid for 750 mm wide flat pads. Indicated loads based on the ISO 10567 standard and do not exceed 75% of tipping or 87% of hydraulic capacity. The lift capacity values indicated are attained at the corresponding operating temperature. This operating temperature is ensured by continuous movement of the boom. Weights of fitted attachments (grabs, load hooks, etc.) and load accommodation attachment are to be deducted from the lift capacity values. The lift capacity of the unit is limited by its stability, the lifting capability of the hydraulic elements, or the maximum permissible lifting capacity of the load hook. In accordance with the harmonised European Standard EN 474-5, hydraulic excavators used for lifting operations must be equipped with pipe fracture safety valves, an overload warning device, a load hook and a lift capacity chart.

LH 80 M HR – Equipment GG25

Port – Kinematic 2A



Dimensions



Operating weight

The operating weight includes the basic machine with 4 point outriggers, turret 2,000 mm, hydr. cab elevation, 4 solid tyres, straight boom 13.50 m, straight stick 12.00 m and grab for loose material GMZ 80 / 4.00 m³.

Weight 94,000 kg

m	Undercarriage	Reach (m)												Max. reach		m					
		6.0m	7.5m	9.0m	10.5m	12.0m	13.5m	15.0m	16.5m	18.0m	19.5m	21.0m	22.5m	24.0m	11.6*		11.6*				
28.5	4 pt. outriggers down		13.5* 13.5*																11.6*	11.6*	9.0
27.0	4 pt. outriggers down			13.1* 13.1*															9.5*	9.5*	12.2
25.5	4 pt. outriggers down				12.6* 12.6*														8.4*	8.4*	14.6
24.0	4 pt. outriggers down					11.7* 11.7*													12.3* 12.3*	11.3* 11.3*	16.5
22.5	4 pt. outriggers down						12.4* 12.4*												11.3* 11.3*	10.3* 10.3*	18.1
21.0	4 pt. outriggers down							11.1* 11.1*											10.2* 10.2*	9.4* 9.4*	19.4
19.5	4 pt. outriggers down								11.1* 11.1*										10.2* 10.2*	9.4* 9.4*	20.6
18.0	4 pt. outriggers down									11.1* 11.1*									10.1* 10.1*	9.4* 9.4*	21.5
16.5	4 pt. outriggers down										12.2* 12.2*								10.2* 10.2*	9.4* 9.4*	22.3
15.0	4 pt. outriggers down											12.3* 12.3*							11.2* 11.2*	10.2* 10.2*	23.0
13.5	4 pt. outriggers down												12.5* 12.5*						11.3* 11.3*	10.3* 10.3*	23.6
12.0	4 pt. outriggers down													13.6* 13.6*					11.4* 11.4*	10.4* 10.4*	24.1
10.5	4 pt. outriggers down														14.6* 14.6*				11.6* 11.6*	10.5* 10.5*	24.5
9.0	4 pt. outriggers down															13.1* 13.1*			15.0* 15.0*	13.2* 13.2*	24.7
7.5	4 pt. outriggers down																12.6* 12.6*		15.1* 15.1*	15.0* 15.0*	24.9
6.0	4 pt. outriggers down	13.4* 13.4*																	14.6* 14.6*	13.0* 13.0*	25.0
4.5	4 pt. outriggers down	28.5* 28.5*	22.5* 22.5*																15.9* 15.9*	13.8* 13.8*	24.9
3.0	4 pt. outriggers down	15.2* 15.2*	23.3* 23.3*	19.1* 19.1*															16.2* 16.2*	14.0* 14.0*	24.9
1.5	4 pt. outriggers down	7.3* 7.3*	20.3* 20.3*	19.4* 19.4*	16.4* 16.4*														14.2* 14.2*	12.4* 12.4*	24.7
0	4 pt. outriggers down	6.2* 6.2*	13.1* 13.1*	19.4* 19.4*	16.4* 16.4*	14.1* 14.1*													14.1* 14.1*	12.4* 12.4*	24.4
-1.5	4 pt. outriggers down	6.4* 6.4*	11.4* 11.4*	19.0* 19.0*	16.1* 16.1*	13.9* 13.9*													13.9* 13.9*	12.2* 12.2*	23.6
-3.0	4 pt. outriggers down	7.1* 7.1*	11.2* 11.2*	18.1* 18.1*	15.5* 15.5*	13.5* 13.5*													15.5* 15.5*	13.5* 13.5*	22.4
-4.5	4 pt. outriggers down	8.1* 8.1*	11.6* 11.6*	16.7* 16.7*	14.5* 14.5*	12.7* 12.7*													14.5* 14.5*	12.7* 12.7*	20.6
-6.0	4 pt. outriggers down		12.4* 12.4*	14.8* 14.8*															13.1* 13.1*	11.5* 11.5*	17.7

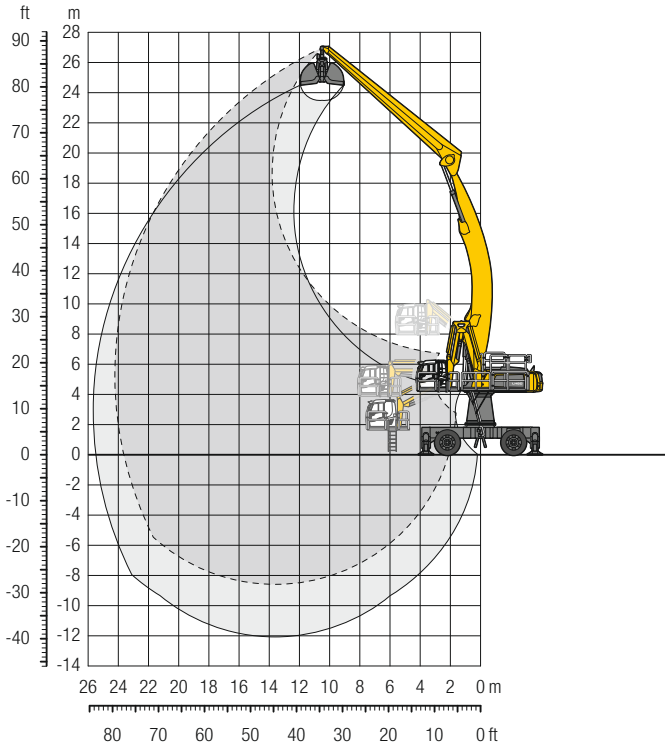
Height Can be slewed through 360° In longitudinal position of undercarriage Max. reach * Limited by hydr. capacity

The lift capacities on the stick end without attachment are stated in metric tons (t) and are valid on a firm, level supporting surface with blocked oscillating axle. These capacities can be slewed through 360° with the undercarriage in the transverse position. Capacities in the longitudinal position of the undercarriage (±15°) are specified over the rigid axle with the stabilizers down. Indicated loads based on the ISO 10567 standard and do not exceed 75% of tipping or 87% of hydraulic capacity. The lift capacity values indicated are attained at the corresponding operating temperature. This operating temperature is ensured by continuous movement of the boom. Weights of fitted attachments (grabs, load hooks, etc.) and load accommodation attachment are to be deducted from the lift capacity values. The lift capacity of the unit is limited by its stability, the lifting capability of the hydraulic elements, or the maximum permissible lifting capacity of the load hook.

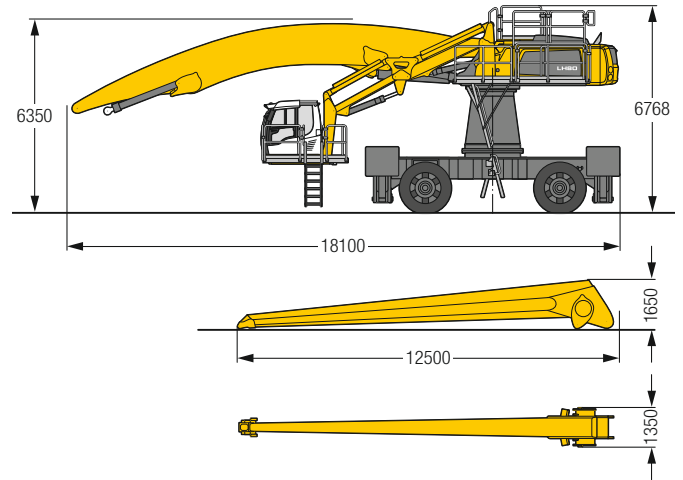
In accordance with the harmonised European Standard EN 474-5, hydraulic excavators used for lifting operations must be equipped with pipe fracture safety valves, an overload warning device, a load hook and a lift capacity chart.

LH 80 M HR – Equipment AG24

Port – Kinematic 2D



Dimensions



Operating weight

The operating weight includes the basic machine with 4 point outriggers, turret 2,000 mm, hydr. cab elevation, 4 solid tyres, angled boom 13.50 m, straight stick 12.00 m and grab for loose material GMZ 80 / 4.00 m³.

Weight 97,300 kg

m	Undercarriage	Reach (m)												Height (m)				
		6.0m	7.5m	9.0m	10.5m	12.0m	13.5m	15.0m	16.5m	18.0m	19.5m	21.0m	22.5m	24.0m	13.2	15.3		
27.0	4 pt. outriggers down																	
25.5	4 pt. outriggers down					9.2* 9.2*												7.9* 7.9*
24.0	4 pt. outriggers down						9.3* 9.3*	7.6* 7.6*										7.3* 7.3*
22.5	4 pt. outriggers down							9.3* 9.3*	8.7* 8.7*	7.5* 7.5*								6.9* 6.9*
21.0	4 pt. outriggers down								8.5* 8.5*	8.0* 8.0*	7.1* 7.1*							6.6* 6.6*
19.5	4 pt. outriggers down								8.5* 8.5*	7.9* 7.9*	7.5* 7.5*	6.5* 6.5*						6.4* 6.4*
18.0	4 pt. outriggers down								8.4* 8.4*	7.9* 7.9*	7.4* 7.4*	7.0* 7.0*						6.2* 6.2*
16.5	4 pt. outriggers down								8.5* 8.5*	7.9* 7.9*	7.4* 7.4*	7.0* 7.0*	6.7* 6.7*					6.1* 6.1*
15.0	4 pt. outriggers down							9.2* 9.2*	8.5* 8.5*	7.9* 7.9*	7.4* 7.4*	7.0* 7.0*	6.7* 6.7*					6.1* 6.1*
13.5	4 pt. outriggers down							9.4* 9.4*	8.6* 8.6*	8.0* 8.0*	7.5* 7.5*	7.1* 7.1*	6.7* 6.7*	6.3* 6.3*				6.1* 6.1*
12.0	4 pt. outriggers down					10.5* 10.5*	9.6* 9.6*	8.8* 8.8*	8.1* 8.1*	7.6* 7.6*	7.1* 7.1*	6.7* 6.7*	6.4* 6.4*					6.1* 6.1*
10.5	4 pt. outriggers down					10.8* 10.8*	9.8* 9.8*	9.0* 9.0*	8.3* 8.3*	7.7* 7.7*	7.2* 7.2*	6.8* 6.8*	6.4* 6.4*					6.1* 6.1*
9.0	4 pt. outriggers down			14.4* 14.4*	12.6* 12.6*	11.2* 11.2*	10.1* 10.1*	9.2* 9.2*	8.4* 8.4*	7.8* 7.8*	7.3* 7.3*	6.8* 6.8*	6.4* 6.4*					6.1* 6.1*
7.5	4 pt. outriggers down		18.1* 18.1*	15.2* 15.2*	13.1* 13.1*	11.6* 11.6*	10.4* 10.4*	9.4* 9.4*	8.6* 8.6*	7.9* 7.9*	7.4* 7.4*	6.9* 6.9*	6.5* 6.5*	6.0* 6.0*				6.0* 6.0*
6.0	4 pt. outriggers down	24.5* 24.5*	19.3* 19.3*	16.0* 16.0*	13.7* 13.7*	12.0* 12.0*	10.7* 10.7*	9.6* 9.6*	8.8* 8.8*	8.1* 8.1*	7.5* 7.5*	7.0* 7.0*	6.5* 6.5*	6.0* 6.0*				6.0* 6.0*
4.5	4 pt. outriggers down	26.3* 26.3*	20.5* 20.5*	16.8* 16.8*	14.3* 14.3*	12.4* 12.4*	11.0* 11.0*	9.9* 9.9*	9.0* 9.0*	8.2* 8.2*	7.6* 7.6*	7.0* 7.0*	6.5* 6.5*	6.0* 6.0*				5.9* 5.9*
3.0	4 pt. outriggers down	12.6* 12.6*	21.4* 21.4*	17.5* 17.5*	14.8* 14.8*	12.8* 12.8*	11.3* 11.3*	10.1* 10.1*	9.1* 9.1*	8.3* 8.3*	7.6* 7.6*	7.1* 7.1*	6.5* 6.5*	6.0* 6.0*				5.9* 5.9*
1.5	4 pt. outriggers down	9.9* 9.9*	18.0* 18.0*	18.0* 18.0*	15.2* 15.2*	13.1* 13.1*	11.5* 11.5*	10.3* 10.3*	9.2* 9.2*	8.4* 8.4*	7.7* 7.7*	7.1* 7.1*	6.5* 6.5*					5.9* 5.9*
0	4 pt. outriggers down	9.3* 9.3*	14.9* 14.9*	18.3* 18.3*	15.4* 15.4*	13.3* 13.3*	11.7* 11.7*	10.4* 10.4*	9.3* 9.3*	8.4* 8.4*	7.7* 7.7*	7.0* 7.0*	6.4* 6.4*					5.8* 5.8*
-1.5	4 pt. outriggers down	9.5* 9.5*	13.8* 13.8*	18.3* 18.3*	15.5* 15.5*	13.3* 13.3*	11.7* 11.7*	10.4* 10.4*	9.3* 9.3*	8.4* 8.4*	7.6* 7.6*	6.9* 6.9*	6.1* 6.1*					5.7* 5.7*
-3.0	4 pt. outriggers down	10.0* 10.0*	13.7* 13.7*	18.0* 18.0*	15.3* 15.3*	13.2* 13.2*	11.6* 11.6*	10.3* 10.3*	9.2* 9.2*	8.3* 8.3*	7.4* 7.4*	6.6* 6.6*	5.7* 5.7*					5.6* 5.6*
-4.5	4 pt. outriggers down	10.7* 10.7*	13.9* 13.9*	17.3* 17.3*	14.8* 14.8*	12.9* 12.9*	11.3* 11.3*	10.0* 10.0*	8.9* 8.9*	8.0* 8.0*	7.1* 7.1*	6.2* 6.2*						5.4* 5.4*
-6.0	4 pt. outriggers down		14.4* 14.4*	16.2* 16.2*	14.0* 14.0*	12.3* 12.3*	10.8* 10.8*	9.6* 9.6*	8.5* 8.5*	7.5* 7.5*	6.5* 6.5*	5.4* 5.4*						5.4* 5.4*
-7.5	4 pt. outriggers down			14.6* 14.6*	12.8* 12.8*	11.3* 11.3*	10.0* 10.0*	8.8* 8.8*	7.7* 7.7*	6.7* 6.7*								6.3* 6.3*

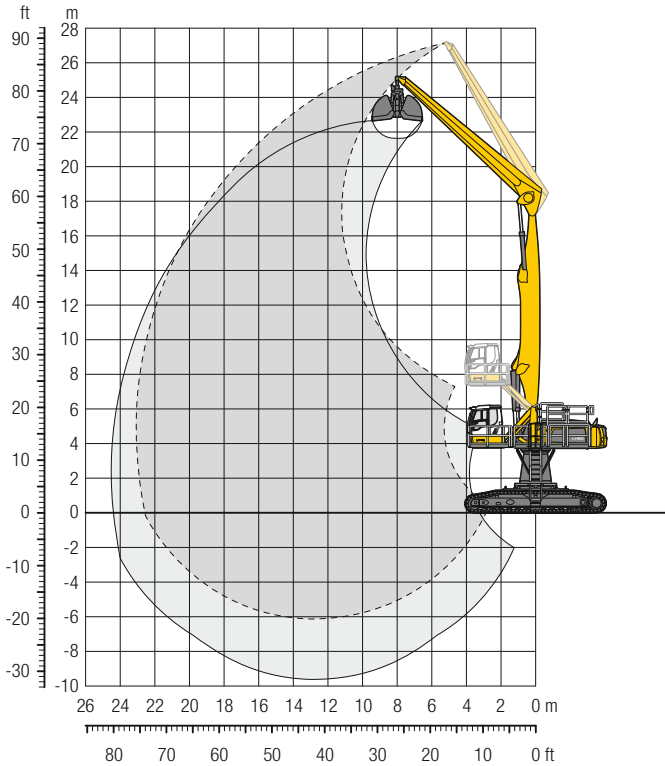
Height **Can be slewed through 360°** **In longitudinal position of undercarriage** **Max. reach** * Limited by hydr. capacity

The lift capacities on the stick end without attachment are stated in metric tons (t) and are valid on a firm, level supporting surface with blocked oscillating axle. These capacities can be slewed through 360° with the undercarriage in the transverse position. Capacities in the longitudinal position of the undercarriage (±15°) are specified over the rigid axle with the stabilizers down. Indicated loads based on the ISO 10567 standard and do not exceed 75% of tipping or 87% of hydraulic capacity. The lift capacity values indicated are attained at the corresponding operating temperature. This operating temperature is ensured by continuous movement of the boom. Weights of fitted attachments (grabs, load hooks, etc.) and load accommodation attachment are to be deducted from the lift capacity values. The lift capacity of the unit is limited by its stability, the lifting capability of the hydraulic elements, or the maximum permissible lifting capacity of the load hook.

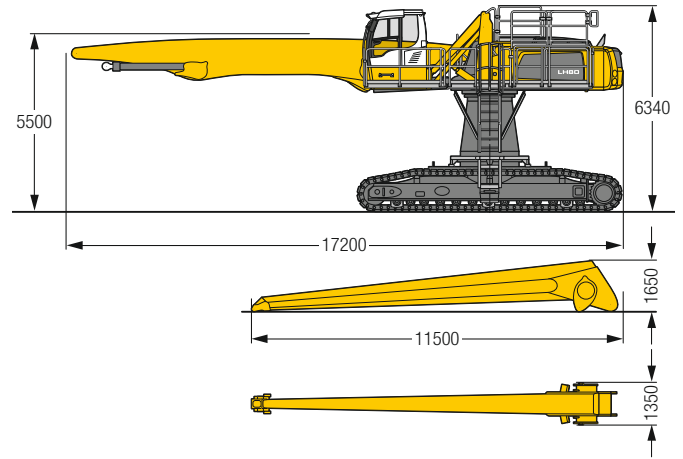
In accordance with the harmonised European Standard EN 474-5, hydraulic excavators used for lifting operations must be equipped with pipe fracture safety valves, an overload warning device, a load hook and a lift capacity chart.

LH 80 C HR – Equipment GG23

Port – Kinematic 2A



Dimensions



Operating weight and ground pressure

The operating weight includes the basic machine with turret 2,000 mm, hydr. cab elevation, straight boom 12.50 m, straight stick 11.00 m and grab for loose material GMZ 80 / 6.00 m³.

Weight	94,500 kg
Pad width	750 mm
Ground pressure	on request

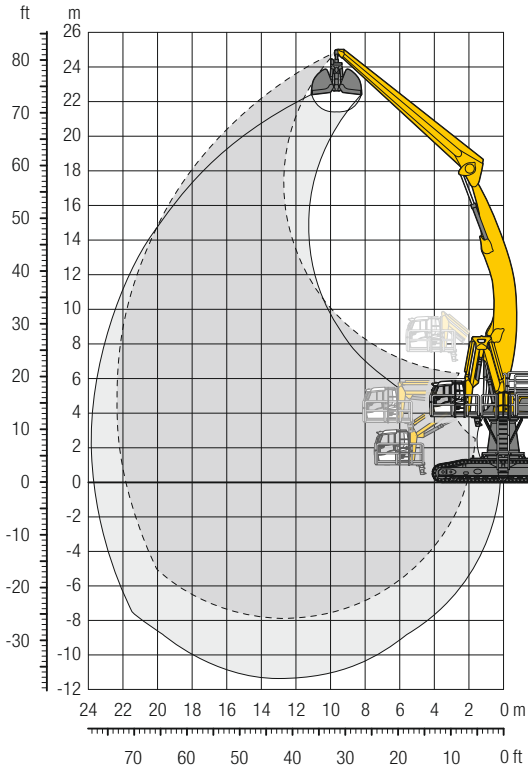
m	Undercarriage	6.0 m	7.5 m	9.0 m	10.5 m	12.0 m	13.5 m	15.0 m	16.5 m	18.0 m	19.5 m	21.0 m	22.5 m	24.0 m	m	
27.0	SW														15.6* 15.6*	5.9
25.5	SW			13.1* 13.1*											11.4* 11.4*	10.0
24.0	SW			14.3* 14.3*	12.9* 12.9*	11.0* 11.0*									9.7* 9.7*	12.7
22.5	SW				13.8* 13.8*	12.6* 12.6*	11.0* 11.0*								8.8* 8.8*	14.8
21.0	SW					12.9* 12.9*	11.8* 11.8*	10.7* 10.7*							8.1* 8.1*	16.4
19.5	SW					12.7* 12.7*	11.7* 11.7*	10.8* 10.8*	10.1* 10.1*						7.7* 7.7*	17.8
18.0	SW					12.6* 12.6*	11.6* 11.6*	10.7* 10.7*	10.0* 10.0*	9.4* 9.4*					7.4* 7.4*	18.9
16.5	SW					12.6* 12.6*	11.6* 11.6*	10.7* 10.7*	9.9* 9.9*	9.3* 9.3*	8.2* 8.2*				7.2* 7.2*	19.9
15.0	SW					12.7* 12.7*	11.6* 11.6*	10.7* 10.7*	9.9* 9.9*	9.3* 9.3*	8.7* 8.7*				7.0* 7.0*	20.7
13.5	SW					12.8* 12.8*	11.7* 11.7*	10.8* 10.8*	10.0* 10.0*	9.3* 9.3*	8.7* 8.7*	8.0* 8.0*			6.9* 6.9*	21.4
12.0	SW				14.5* 14.5*	13.1* 13.1*	11.9* 11.9*	10.9* 10.9*	10.1* 10.1*	9.3* 9.3*	8.7* 8.7*	8.1* 8.1*			6.8* 6.8*	21.9
10.5	SW			14.7* 14.7*	14.9* 14.9*	13.3* 13.3*	12.1* 12.1*	11.0* 11.0*	10.2* 10.2*	9.4* 9.4*	8.7* 8.7*	8.1* 8.1*			6.8* 6.8*	22.4
9.0	SW		14.0* 14.0*	16.4* 16.4*	15.4* 15.4*	13.7* 13.7*	12.3* 12.3*	11.2* 11.2*	10.3* 10.3*	9.5* 9.5*	8.7* 8.7*	8.0* 8.0*	7.2* 7.2*		6.8* 6.8*	22.7
7.5	SW	13.6* 13.6*	17.6* 17.6*	18.4* 18.4*	15.9* 15.9*	14.0* 14.0*	12.6* 12.6*	11.4* 11.4*	10.4* 10.4*	9.5* 9.5*	8.7* 8.7*	8.0* 8.0*	7.2* 7.2*		6.8* 6.8*	22.9
6.0	SW	28.9* 28.9*	23.0* 23.0*	19.1* 19.1*	16.4* 16.4*	14.4* 14.4*	12.8* 12.8*	11.5* 11.5*	10.5* 10.5*	9.6* 9.6*	8.7* 8.7*	7.9* 7.9*	7.0* 7.0*		6.6* 6.6*	23.1
4.5	SW	30.7* 30.7*	24.1* 24.1*	19.8* 19.8*	16.9* 16.9*	14.7* 14.7*	13.0* 13.0*	11.7* 11.7*	10.5* 10.5*	9.6* 9.6*	8.7* 8.7*	7.8* 7.8*	6.8* 6.8*		6.2* 6.2*	23.1
3.0	SW	11.2* 11.2*	24.8* 24.8*	20.3* 20.3*	17.2* 17.2*	14.9* 14.9*	13.1* 13.1*	11.7* 11.7*	10.5* 10.5*	9.5* 9.5*	8.6* 8.6*	7.6* 7.6*	6.5* 6.5*		5.9* 5.9*	23.0
1.5	SW	8.4* 8.4*	19.4* 19.4*	20.5* 20.5*	17.3* 17.3*	15.0* 15.0*	13.1* 13.1*	11.7* 11.7*	10.4* 10.4*	9.3* 9.3*	8.3* 8.3*	7.3* 7.3*	5.9* 5.9*		5.5* 5.5*	22.8
0	SW	8.2* 8.2*	15.4* 15.4*	20.2* 20.2*	17.1* 17.1*	14.8* 14.8*	13.0* 13.0*	11.5* 11.5*	10.2* 10.2*	9.0* 9.0*	8.0* 8.0*	6.8* 6.8*	5.1* 5.1*		5.0* 5.0*	22.6
-1.5	SW	8.9* 8.9*	14.5* 14.5*	19.4* 19.4*	16.6* 16.6*	14.4* 14.4*	12.6* 12.6*	11.1* 11.1*	9.8* 9.8*	8.6* 8.6*	7.4* 7.4*	6.0* 6.0*			5.1* 5.1*	21.7
-3.0	SW	9.9* 9.9*	14.8* 14.8*	18.0* 18.0*	15.5* 15.5*	13.5* 13.5*	11.8* 11.8*	10.4* 10.4*	9.1* 9.1*	7.8* 7.8*	6.5* 6.5*				5.5* 5.5*	20.4
-4.5	SW		15.6* 15.6*	15.9* 15.9*	14.0* 14.0*	12.2* 12.2*	10.7* 10.7*	9.3* 9.3*	8.0* 8.0*	6.7* 6.7*					6.2* 6.2*	18.5
-6.0	SW					10.4* 10.4*	9.1* 9.1*								8.3* 8.3*	14.5

Height Can be slewed through 360° In longitudinal position of undercarriage Max. reach * Limited by hydr. capacity

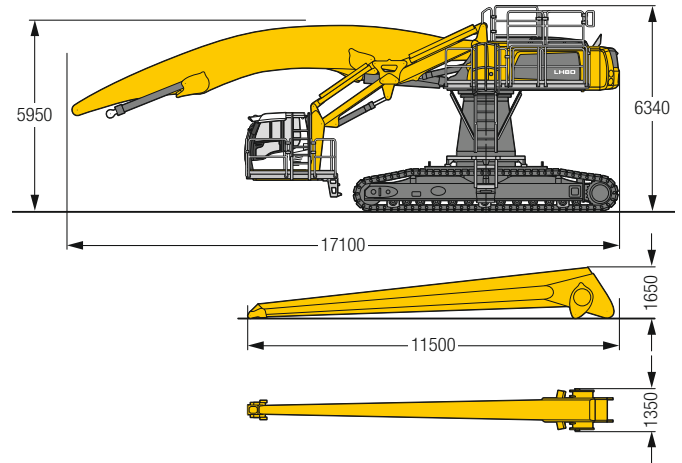
The lift capacities on the stick end without attachment are stated in metric tons (t) and can be slewed through 360° on a firm, level supporting surface. Capacities are valid for 750 mm wide flat pads. Indicated loads based on the ISO 10567 standard and do not exceed 75% of tipping or 87% of hydraulic capacity. The lift capacity values indicated are attained at the corresponding operating temperature. This operating temperature is ensured by continuous movement of the boom. Weights of fitted attachments (grabs, load hooks, etc.) and load accommodation attachment are to be deducted from the lift capacity values. The lift capacity of the unit is limited by its stability, the lifting capability of the hydraulic elements, or the maximum permissible lifting capacity of the load hook. In accordance with the harmonised European Standard EN 474-5, hydraulic excavators used for lifting operations must be equipped with pipe fracture safety valves, an overload warning device, a load hook and a lift capacity chart.

LH 80 C HR – Equipment AG22

Port – Kinematic 2D



Dimensions



Operating weight and ground pressure

The operating weight includes the basic machine with turret 2,000 mm, hydr. cab elevation, angled boom 12.50 m, straight stick 11.00 m and grab for loose material GMZ 80 / 6.00 m³.

Weight	97,700 kg
Pad width	750 mm
Ground pressure	on request

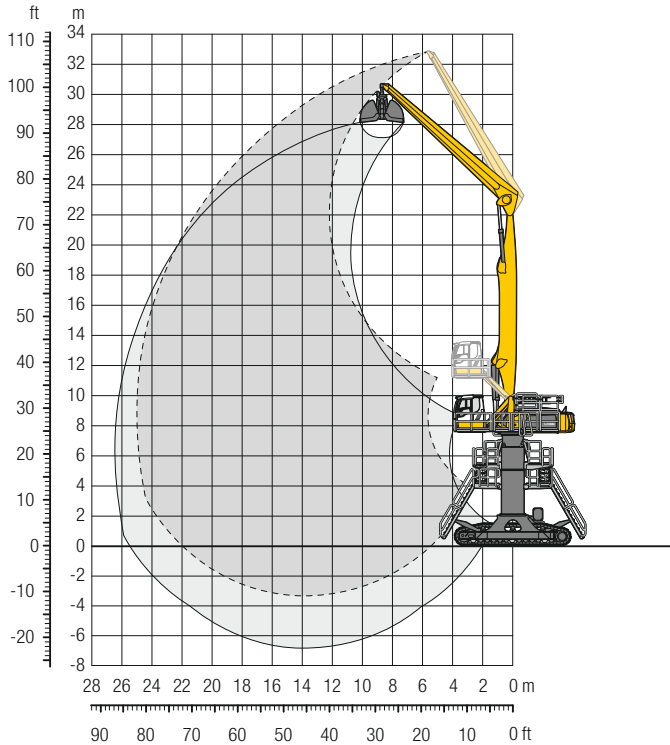
m	Undercarriage	6.0m	7.5m	9.0m	10.5m	12.0m	13.5m	15.0m	16.5m	18.0m	19.5m	21.0m	22.5m	24.0m	m		
25.5	SW																
24.0	SW																
22.5	SW				10.2* 10.2*											9.1* 9.1*	11.3
21.0	SW					10.4* 10.4*	8.4* 8.4*									8.3* 8.3*	13.6
19.5	SW						10.0* 10.0*	8.3* 8.3*								7.7* 7.7*	15.4
18.0	SW						9.8* 9.8*	9.2* 9.2*	7.9* 7.9*							7.4* 7.4*	16.8
16.5	SW						9.7* 9.7*	9.1* 9.1*	8.6* 8.6*	7.2* 7.2*						7.1* 7.1*	18.0
15.0	SW						9.6* 9.6*	9.0* 9.0*	8.5* 8.5*	8.1* 8.1*						7.0* 7.0*	19.0
13.5	SW						9.7* 9.7*	9.1* 9.1*	8.5* 8.5*	8.1* 8.1*	7.7* 7.7*					6.9* 6.9*	19.9
12.0	SW						9.8* 9.8*	9.2* 9.2*	8.6* 8.6*	8.1* 8.1*	7.8* 7.8*					6.8* 6.8*	20.6
10.5	SW					10.9* 10.9*	10.0* 10.0*	9.3* 9.3*	8.7* 8.7*	8.2* 8.2*	7.8* 7.8*	7.2* 7.2*				6.8* 6.8*	21.2
9.0	SW				12.4* 12.4*	11.2* 11.2*	10.3* 10.3*	9.5* 9.5*	8.8* 8.8*	8.3* 8.3*	7.8* 7.8*	7.4* 7.4*				6.8* 6.8*	21.6
7.5	SW			14.6* 14.6*	12.9* 12.9*	11.6* 11.6*	10.6* 10.6*	9.7* 9.7*	9.0* 9.0*	8.4* 8.4*	7.9* 7.9*	7.5* 7.5*				6.9* 6.9*	22.0
6.0	SW		18.2* 18.2*	15.5* 15.5*	13.6* 13.6*	12.1* 12.1*	10.9* 10.9*	10.0* 10.0*	9.2* 9.2*	8.6* 8.6*	8.0* 8.0*	7.5* 7.5*				7.0* 7.0*	22.2
4.5	SW	24.6* 24.6*	19.7* 19.7*	16.5* 16.5*	14.3* 14.3*	12.6* 12.6*	11.3* 11.3*	10.3* 10.3*	9.4* 9.4*	8.7* 8.7*	8.1* 8.1*	7.6* 7.6*				7.1* 7.1*	22.3
3.0	SW	27.0* 27.0*	21.2* 21.2*	17.5* 17.5*	14.9* 14.9*	13.1* 13.1*	11.7* 11.7*	10.5* 10.5*	9.6* 9.6*	8.9* 8.9*	8.2* 8.2*	7.6* 7.6*				7.1* 7.1*	22.4
1.5	SW	18.4* 18.4*	22.4* 22.4*	18.4* 18.4*	15.6* 15.6*	13.5* 13.5*	12.0* 12.0*	10.8* 10.8*	9.8* 9.8*	9.0* 9.0*	8.3* 8.3*	7.7* 7.7*				7.1* 7.1*	22.3
0	SW	12.8* 12.8*	23.4* 23.4*	19.1* 19.1*	16.1* 16.1*	13.9* 13.9*	12.3* 12.3*	11.0* 11.0*	10.0* 10.0*	9.1* 9.1*	8.3* 8.3*	7.6* 7.6*				7.0* 7.0*	22.1
-1.5	SW	11.5* 11.5*	19.5* 19.5*	15.5* 15.5*	13.5* 13.5*	12.5* 12.5*	11.2* 11.2*	10.0* 10.0*	9.1* 9.1*	8.3* 8.3*	7.5* 7.5*					7.0* 7.0*	21.8
-3.0	SW	11.5* 11.5*	17.5* 17.5*	13.5* 13.5*	11.5* 11.5*	10.6* 10.6*	9.7* 9.7*	9.0* 9.0*	8.1* 8.1*	7.2* 7.2*						6.9* 6.9*	21.4
-4.5	SW	12.0* 12.0*	16.9* 16.9*	12.9* 12.9*	10.9* 10.9*	10.0* 10.0*	9.1* 9.1*	8.3* 8.3*	7.4* 7.4*							6.7* 6.7*	20.9
-6.0	SW	12.7* 12.7*	17.1* 17.1*	13.1* 13.1*	11.1* 11.1*	10.2* 10.2*	9.3* 9.3*	8.4* 8.4*	7.5* 7.5*	7.2* 7.2*						6.5* 6.5*	20.3
-7.5	SW		17.7* 17.7*	13.7* 13.7*	11.7* 11.7*	10.8* 10.8*	9.9* 9.9*	9.0* 9.0*	8.1* 8.1*	7.2* 7.2*						6.9* 6.9*	18.8
	SW			13.6* 13.6*	11.9* 11.9*	10.4* 10.4*	9.0* 9.0*									8.6* 8.6*	15.5

Height Can be slewed through 360° In longitudinal position of undercarriage Max. reach * Limited by hydr. capacity

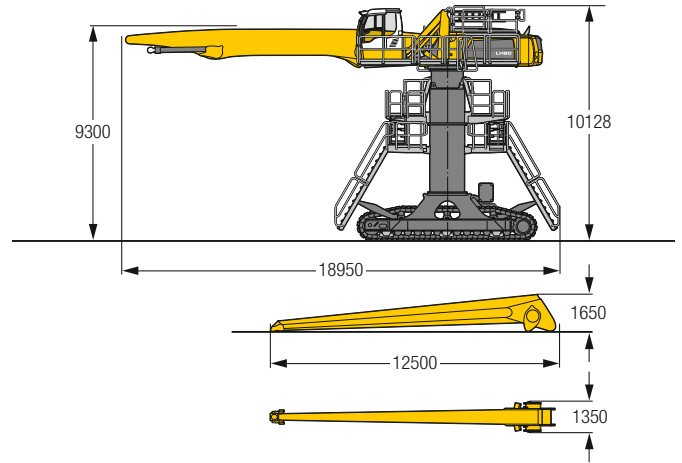
The lift capacities on the stick end without attachment are stated in metric tons (t) and can be slewed through 360° on a firm, level supporting surface. Capacities are valid for 750 mm wide flat pads. Indicated loads based on the ISO 10567 standard and do not exceed 75% of tipping or 87% of hydraulic capacity. The lift capacity values indicated are attained at the corresponding operating temperature. This operating temperature is ensured by continuous movement of the boom. Weights of fitted attachments (grabs, load hooks, etc.) and load accommodation attachment are to be deducted from the lift capacity values. The lift capacity of the unit is limited by its stability, the lifting capability of the hydraulic elements, or the maximum permissible lifting capacity of the load hook. In accordance with the harmonised European Standard EN 474-5, hydraulic excavators used for lifting operations must be equipped with pipe fracture safety valves, an overload warning device, a load hook and a lift capacity chart.

LH 80 C Gantry – Equipment GG25

Port – Kinematic 2A



Dimensions



Operating weight and ground pressure

The operating weight includes the basic machine with hydr. cab elevation, straight boom 13.50 m, straight stick 12.00 m and grab for loose material GMZ 80 / 4.00 m³.

Weight	116,200 kg
Pad width	750 mm
Ground pressure	on request

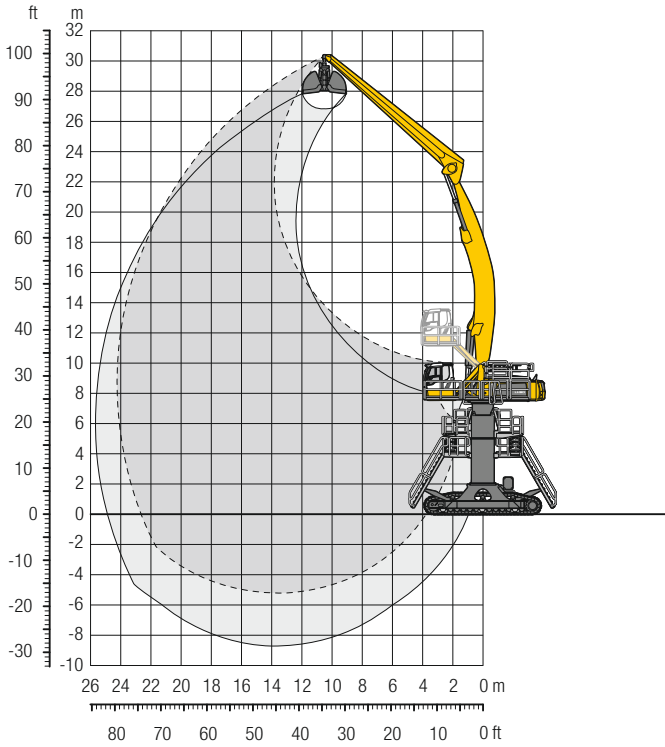
m	Undercarriage	6.0 m		7.5 m		9.0 m		10.5 m		12.0 m		13.5 m		15.0 m		16.5 m		18.0 m		19.5 m		21.0 m		22.5 m		24.0 m		m			
		11.0°	11.0°	12.1°	12.1°	12.0°	12.0°	10.4°	10.4°	11.7°	11.7°	10.4°	10.4°	8.3°	8.3°	9.5°	9.5°	7.9°	7.9°	8.8°	8.8°	7.2°	7.2°	8.1°	8.1°	7.6°	7.6°	6.3°	6.3°	6.4°	6.4°
31.5	Gantry																											11.0°	11.0°	9.8	
30.0	Gantry																												9.2°	9.2°	12.8
28.5	Gantry																												8.2°	8.2°	15.1
27.0	Gantry																												7.6°	7.6°	16.9
25.5	Gantry																												7.1°	7.1°	18.4
24.0	Gantry																												6.8°	6.8°	19.7
22.5	Gantry																												6.6°	6.6°	20.8
21.0	Gantry																												6.4°	6.4°	21.7
19.5	Gantry																												6.2°	6.2°	22.5
18.0	Gantry																												6.2°	6.2°	23.2
16.5	Gantry																												6.1°	6.1°	23.7
15.0	Gantry																												6.1°	6.1°	24.2
13.5	Gantry																												6.3°	6.3°	24.5
12.0	Gantry																												6.0°	6.0°	24.8
10.5	Gantry																												5.8°	5.8°	24.8
9.0	Gantry																												5.6°	5.6°	24.9
7.5	Gantry																												5.3°	5.3°	25.0
6.0	Gantry																												5.0°	5.0°	25.0
4.5	Gantry																												4.7°	4.7°	24.9
3.0	Gantry																												4.4°	4.4°	24.7
1.5	Gantry																												4.1°	4.1°	24.3
0	Gantry																												4.1°	4.1°	23.4
-1.5	Gantry																												5.0°	5.0°	22.0
-3.0	Gantry																												5.0°	5.0°	20.1

Height Can be slewed through 360° In longitudinal position of undercarriage Max. reach * Limited by hydr. capacity

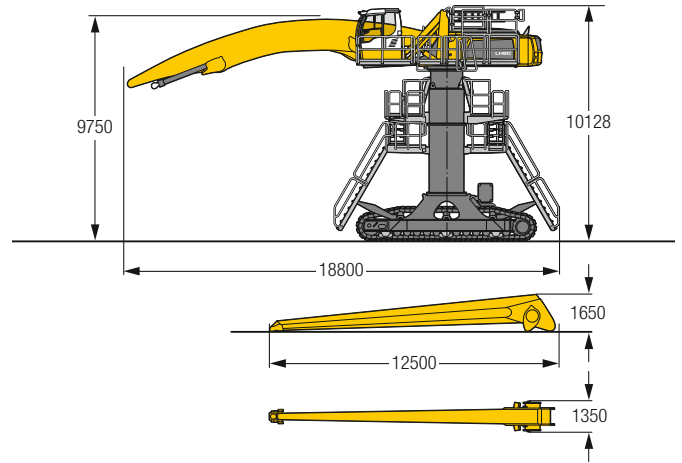
The lift capacities on the stick end without attachment are stated in metric tons (t) and can be slewed through 360° on a firm, level supporting surface. Capacities are valid for 750 mm wide flat pads. Indicated loads based on the ISO 10567 standard and do not exceed 75% of tipping or 87% of hydraulic capacity. The lift capacity values indicated are attained at the corresponding operating temperature. This operating temperature is ensured by continuous movement of the boom. Weights of fitted attachments (grabs, load hooks, etc.) and load accommodation attachment are to be deducted from the lift capacity values. The lift capacity of the unit is limited by its stability, the lifting capability of the hydraulic elements, or the maximum permissible lifting capacity of the load hook. In accordance with the harmonised European Standard EN 474-5, hydraulic excavators used for lifting operations must be equipped with pipe fracture safety valves, an overload warning device, a load hook and a lift capacity chart.

LH 80 C Gantry – Equipment AG24

Port – Kinematic 2D



Dimensions



Operating weight and ground pressure

The operating weight includes the basic machine with hydr. cab elevation, angled boom 13.50 m, straight stick 12.00 m and grab for loose material GMZ 80 / 4.00 m³.

Weight	117,000 kg
Pad width	750 mm
Ground pressure	on request

m	Undercarriage	6.0m		7.5m		9.0m		10.5m		12.0m		13.5m		15.0m		16.5m		18.0m		19.5m		21.0m		22.5m		24.0m		m			
		↕	↕	↕	↕	↕	↕	↕	↕	↕	↕	↕	↕	↕	↕	↕	↕	↕	↕	↕	↕	↕	↕	↕	↕	↕	↕	↕	↕		
30.0	Gantry																											8.7°	8.7°	11.1	
28.5	Gantry									9.6°	9.6°	8.0°	8.0°															7.7°	7.7°	13.7	
27.0	Gantry											9.5°	9.5°	8.0°	8.0°													7.2°	7.2°	15.7	
25.5	Gantry											9.3°	9.3°	8.6°	8.6°	7.9°	7.9°											6.8°	6.8°	17.3	
24.0	Gantry													8.5°	8.5°	8.0°	8.0°	7.5°	7.5°									6.5°	6.5°	18.7	
22.5	Gantry													8.5°	8.5°	7.9°	7.9°	7.4°	7.4°	6.8°	6.8°							6.3°	6.3°	19.8	
21.0	Gantry													8.4°	8.4°	7.9°	7.9°	7.4°	7.4°	7.0°	7.0°							6.2°	6.2°	20.8	
19.5	Gantry													8.5°	8.5°	7.9°	7.9°	7.4°	7.4°	7.0°	7.0°			6.7°	6.7°			6.1°	6.1°	21.6	
18.0	Gantry											9.3°	9.3°	8.6°	8.6°	8.0°	8.0°	7.5°	7.5°	7.0°	7.0°		6.7°	6.7°			6.1°	6.1°	22.3		
16.5	Gantry											9.4°	9.4°	8.7°	8.7°	8.0°	8.0°	7.5°	7.5°	7.1°	7.1°		6.7°	6.7°	6.3°	6.3°	6.1°	6.1°	22.9		
15.0	Gantry									10.6°	10.6°	9.6°	9.6°	8.8°	8.8°	8.2°	8.2°	7.6°	7.6°	7.1°	7.1°		6.7°	6.7°	6.4°	6.4°	6.1°	6.1°	23.4		
13.5	Gantry									10.9°	10.9°	9.9°	9.9°	9.0°	9.0°	8.3°	8.3°	7.7°	7.7°	7.2°	7.2°		6.8°	6.8°	6.4°	6.4°	6.1°	6.1°	23.7		
12.0	Gantry									12.2°	12.2°	11.3°	11.3°	10.1°	10.1°	9.2°	9.2°	8.5°	8.5°	7.8°	7.8°		7.3°	7.3°	6.8°	6.8°	6.4°	6.4°	24.0		
10.5	Gantry	22.9°	22.9°	18.4°	18.4°	15.4°	15.4°	13.3°	13.3°	11.7°	11.7°	10.4°	10.4°	9.5°	9.5°	8.6°	8.6°	8.0°	8.0°	7.4°	7.4°		6.9°	6.9°	6.5°	6.5°	6.1°	6.1°	24.1		
9.0	Gantry	24.9°	24.9°	19.6°	19.6°	16.2°	16.2°	13.8°	13.8°	12.1°	12.1°	10.8°	10.8°	9.7°	9.7°	8.8°	8.8°	8.1°	8.1°	7.5°	7.5°		7.0°	7.0°	6.5°	6.5°	6.0°	6.0°	24.2		
7.5	Gantry	20.9°	20.9°	20.7°	20.7°	17.0°	17.0°	14.4°	14.4°	12.5°	12.5°	11.0°	11.0°	9.9°	9.9°	9.0°	9.0°	8.2°	8.2°	7.6°	7.6°		7.0°	7.0°	6.5°	6.5°	6.0°	6.0°	5.9°	5.9°	24.2
6.0	Gantry	11.7°	11.7°	21.6°	21.6°	17.6°	17.6°	14.9°	14.9°	12.8°	12.8°	11.3°	11.3°	10.1°	10.1°	9.1°	9.1°	8.3°	8.3°	7.7°	7.7°		7.1°	7.1°	6.5°	6.5°	5.9°	5.9°	24.1		
4.5	Gantry	9.7°	9.7°	17.0°	17.0°	18.1°	18.1°	15.2°	15.2°	13.1°	13.1°	11.5°	11.5°	10.3°	10.3°	9.3°	9.3°	8.4°	8.4°	7.7°	7.7°		7.1°	7.1°	6.4°	6.4°	5.9°	5.9°	23.9		
3.0	Gantry	9.3°	9.3°	14.5°	14.5°	18.3°	18.3°	15.4°	15.4°	13.3°	13.3°	11.7°	11.7°	10.4°	10.4°	9.3°	9.3°	8.4°	8.4°	7.7°	7.7°		7.0°	7.0°	6.3°	6.3°	5.8°	5.8°	23.5		
1.5	Gantry	9.6°	9.6°	13.7°	13.7°	18.3°	18.3°	15.5°	15.5°	13.3°	13.3°	11.7°	11.7°	10.4°	10.4°	9.3°	9.3°	8.4°	8.4°	7.6°	7.6°		6.8°	6.8°	6.1°	6.1°	5.7°	5.7°	23.1		
0	Gantry	10.1°	10.1°	13.7°	13.7°	17.9°	17.9°	15.2°	15.2°	13.2°	13.2°	11.6°	11.6°	10.3°	10.3°	9.2°	9.2°	8.2°	8.2°	7.4°	7.4°		6.5°	6.5°	5.6°	5.6°	5.5°	5.5°	22.6		
-1.5	Gantry	10.8°	10.8°	14.0°	14.0°	17.1°	17.1°	14.7°	14.7°	12.8°	12.8°	11.2°	11.2°	10.0°	10.0°	8.9°	8.9°	7.9°	7.9°	7.0°	7.0°		6.0°	6.0°			5.3°	5.3°	22.0		
-3.0	Gantry			14.6°	14.6°	15.9°	15.9°	13.8°	13.8°	12.1°	12.1°	10.6°	10.6°	9.4°	9.4°	8.3°	8.3°	7.3°	7.3°	6.3°	6.3°						5.6°	5.6°	20.6		
-4.5	Gantry							12.5°	12.5°	11.0°	11.0°	9.7°	9.7°	8.6°	8.6°	7.5°	7.5°										6.6°	6.6°	17.7		

Height Can be slewed through 360° In longitudinal position of undercarriage Max. reach * Limited by hydr. capacity

The lift capacities on the stick end without attachment are stated in metric tons (t) and can be slewed through 360° on a firm, level supporting surface. Capacities are valid for 750 mm wide flat pads. Indicated loads based on the ISO 10567 standard and do not exceed 75% of tipping or 87% of hydraulic capacity. The lift capacity values indicated are attained at the corresponding operating temperature. This operating temperature is ensured by continuous movement of the boom. Weights of fitted attachments (grabs, load hooks, etc.) and load accommodation attachment are to be deducted from the lift capacity values. The lift capacity of the unit is limited by its stability, the lifting capability of the hydraulic elements, or the maximum permissible lifting capacity of the load hook. In accordance with the harmonised European Standard EN 474-5, hydraulic excavators used for lifting operations must be equipped with pipe fracture safety valves, an overload warning device, a load hook and a lift capacity chart.

Liebherr ERC-System

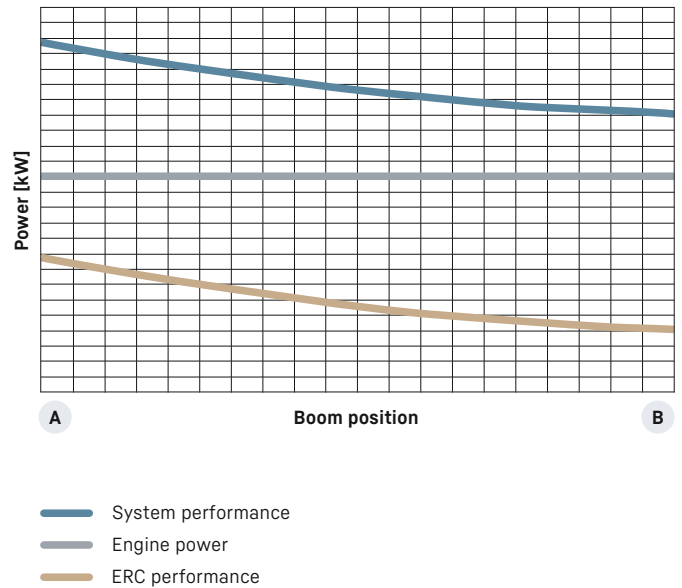
More performance, less consumption

Lowering the equipment stores energy in the ERC-System. This stored energy is then made available to the machine to provide additional engine power. When the equipment is raised the stored energy is released and is reflected in powerful, homogeneous operating cycles. The result is a clear energy saving – and, at the same time, even greater performance.

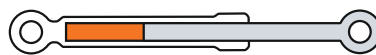
System performance

The energy recovery cylinder is a storage system which is independent of the electric motor or diesel engine. The system performance of material handling machines fitted with the ERC-System is composed of the installed engine power and the energy recovery cylinder. When the equipment is raised, energy from the ERC-System is supplied in addition to the power from the engine.

ERC-System



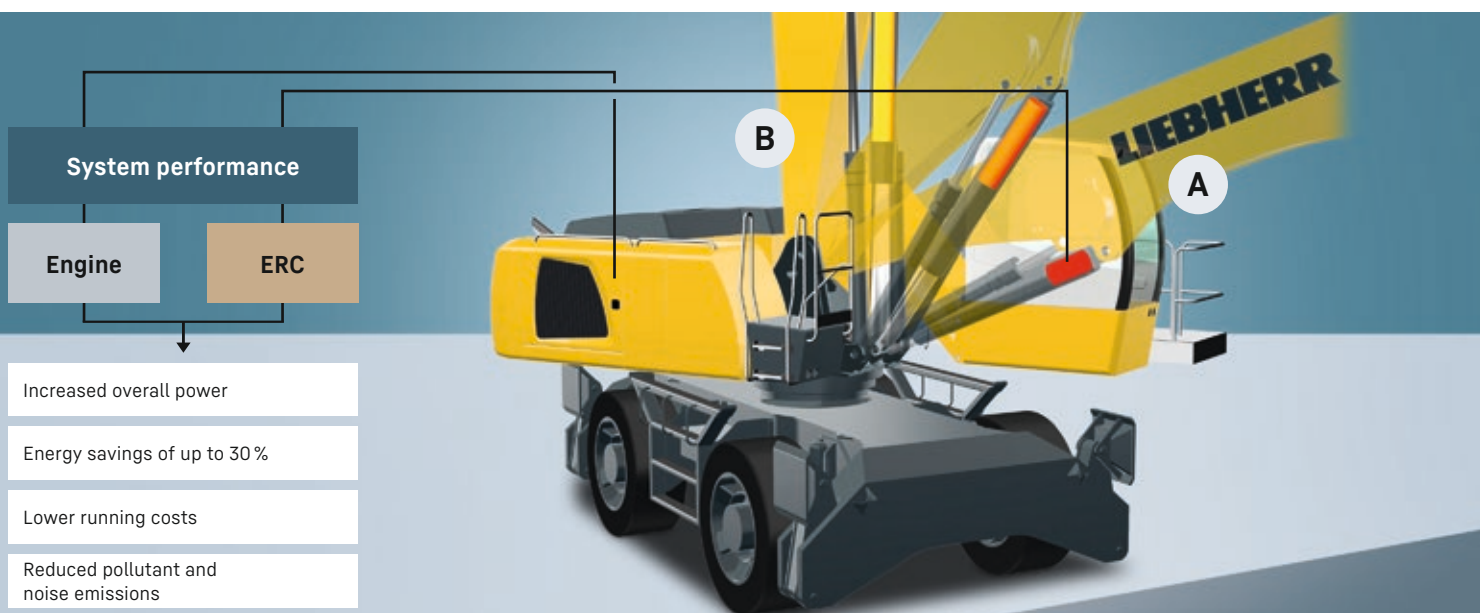
B 1. Equipment fitting raised / energy released



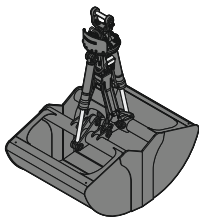
2. Lower equipment fitting / store energy
4. Raise equipment fitting / release energy



A 3. Equipment fitting lowered / energy stored



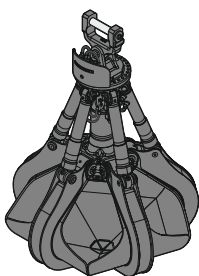
Attachments



Grab for loose material

Shells for loose material with cutting edge (without teeth)

Grab model GMZ 50														
Width of shells	mm	1,400	1,600	1,800										
Capacity	m ³	3.50	4.00	4.50										
Weight	kg	2,615	2,750	2,825										
Grab model GMZ 80														
Shell specification		Standard							Wide					
Width of shells	mm	1,300	1,500	1,750	2,000	2,200	2,600	3,000	3,400	1,300	1,500	1,700	2,000	2,200
Capacity	m ³	3.00	3.50	4.00	4.50	5.00	6.00	7.00	8.00	2.00	2.30	2.70	3.00	3.40
Weight	kg	2,510	2,625	2,775	2,920	3,255	3,490	3,720	3,955	2,310	2,400	2,535	2,670	2,895
Grab model GMZ 120														
Width of shells	mm	1,600	1,800	2,000	2,200	2,400	2,800	3,200						
Capacity	m ³	4.00	4.50	5.00	5.50	6.00	7.00	8.00						
Weight	kg	3,005	3,140	3,280	3,630	3,775	4,040	4,330						



Multi-tine grab

closed, heart-shaped

Grab model GMM 80-5 (5 tines)					
Capacity	m ³	0.90	1.10	1.40	1.70
Weight	kg	2,375	2,440	2,580	2,730
Grab model GMM 120-5 (5 tines)					
Capacity	m ³	1.70	2.00	2.50	3.00
Weight	kg	2,970	3,110	3,265	3,670



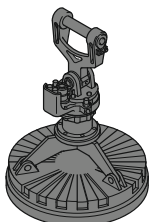
Wood grab

Grab model GMH 50 – round overlapping (horizontal cylinders)							
Size	m ²	2.20	2.50	2.50	2.80	3.20	3.60
Cutting width	mm	1,000	870	1,000	1,000	1,000	1,000
Height of grab, closed	mm	2,323	2,416	2,416	2,521	2,649	2,814
Weight	kg	2,135	2,105	2,180	2,260	2,320	2,375
Grab model GMH 80 – round overlapping (vertical cylinders)							
Size	m ²	1.30	1.60	1.90	2.20	2.50	
Cutting width	mm	870	870	870	870	870	
Height of grab, closed	mm	2,805	2,905	2,983	3,065	3,142	
Weight	kg	2,155	2,215	2,260	2,295	2,335	
Grab model GMH 120 – round overlapping (vertical cylinders)							
Size	m ²	2.80	3.20	3.60			
Cutting width	mm	870	870	870			
Height of grab, closed	mm	3,574	3,673	3,754			
Weight	kg	2,725	2,750	2,790			



Load hook

Max. load	t	25
Height with suspension	mm	1,220
Weight	kg	255




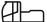
Magnet devices / lifting magnets


Generator	kW	20	30
Electromagnet with suspension			
Power	kW	11.7	17.8
Diameter of magnet	mm	1,500	1,700
Weight	kg	2,400*	3,300*


* only magnet plate

Equipment

	80 M	80 C	80 M HR	80 C HR	80 C Gantry
 Undercarriage					
Track pads, variants		+		+	+
Individual control outriggers	+		•		
Three-piece chain guide		•		•	•
Shuttle axle lock, automatic	•		•		
Outrigger monitoring system	+		+		
Tyres, variants	+		+		
Trailing cable ²⁾	•	•	•	•	•
Protection for piston rods, outriggers	+		+		
Two storage compartments ¹⁾	•				
One storage compartment ²⁾	•				
Cable reel system ²⁾	+	+3)	+	+	+

	80 M	80 C	80 M HR	80 C HR	80 C Gantry
 Upper-carriage					
Upper-carriage right side light, 1 piece, LED	•	•	•	•	•
Upper-carriage rear light, 2 pieces, LED	+	+			
Upper-carriage underneath rear light, 1 piece, LED			+	+	+
Refuelling system with filling pump ¹⁾	+	+	+	+	+
Railing on upper-carriage	+	+	•	•	•
Generator	+	+	+	+	+
Main battery switch for electrical system	•	•	•	•	•
Amber beacon, at upper-carriage, LED double flash	+	+	+	+	+
Protection for headlights	+	+			
Protection for rear lights	+	+			
Tool equipment, extended	•	•	•	•	•

	80 M	80 C	80 M HR	80 C HR	80 C Gantry
 Hydraulic system					
Electronic pump regulation	•	•	•	•	•
Liebherr hydraulic oil from -20 °C to +40 °C	•	•	•	•	•
Liebherr hydraulic oil, biologically degradable	+	+	+	+	+
Liebherr hydraulic oil, specially for warm or cold regions	+	+	+	+	+
Magnetic rod in hydraulic tank	•	•	•	•	•
Bypass filter	+	+	+	+	+
Preheating hydraulic oil	+	+	+	+	+

	80 M	80 C	80 M HR	80 C HR	80 C Gantry
 Engine					
Fuel anti-theft device ¹⁾	+	+	+	+	+
Air pre-filter with dust discharge ¹⁾	+	+	+	+	+
Automatic engine shut-down (time adjustable)	+	+	+	+	+
Preheating fuel ¹⁾	+	+	+	+	+
Preheating coolant ¹⁾	+	+	+	+	+
Preheating engine oil ^{*1)}	+	+	+	+	+

	80 M	80 C	80 M HR	80 C HR	80 C Gantry
 Cooling system					
Reversible fan drive	+	+	+	+	+
Protective grid in front of cooler intake	•	•	•	•	•



Cab

	80 M	80 C	80 M HR	80 C HR	80 C Gantry
Support assistant	+		+		
Stabilizer, control lever, left console	+		+		
Stabilizer, proportional control on left joystick	●		●		
Cab lights rear, LED	+	+	+	+	+
Cab lights front, LED	+	+	+	+	+
Cab lights front, LED (under rain cover)	●	●	●	●	●
Armrest adjustable	●	●	●	●	●
Circular bubble level	+	+	●	●	●
Slewing gear brake Comfort, button on the left or right joystick	+	+	+	+	+
Driver profile, personalised (max. 5 drivers)	+	+	+	+	+
Operator's seat Comfort	●	●	●	●	●
Operator's seat Premium	+	+	+	+	+
Driving alarm (acoustic signal is emitted during travel, can be switched ON/OFF)	+	+	+	+	+
Fire extinguisher	+	+	+	+	+
Footrest	+	+	+	+	+
Horn, button on left joystick	●	●	●	●	●
Joystick steering	●		●		
Joystick and wheel steering (slim version)	+		+		
Cab elevation, hydraulic (LHC)	●	●	●	●	●
Cab elevation, hydraulic with double parallelogram (LHC-D)			+	+	+
Cab elevation, rigid (LFC)	+	+			
Automatic air conditioning	●	●	●	●	●
Wheel steering (slim version)	+		+		
LiDAT, vehicle fleet management	●	●	●	●	●
Engine shut-down (emergency stop) cab ²⁾	●	●	●	●	●
Proportional control	●	●	●	●	●
Radio Comfort, control via display with handsfree set	+	+	+	+	+
Preparation for radio installation	●	●	●	●	●
Back-up alarm (acoustic signal is emitted traveling backward, can not be switched off)	+		+		
Amber beacon, on cab, LED double flash	+	+	+	+	+
Windows made from impact-resistant laminated safety glass	+	+	●	●	●
Windscreen wiper, roof	+	+	+	+	+
Windshield wiper, entire windscreen	●	●	●	●	●
FOPS top guard	+	+	+	+	+
FGPS front guard, tiltable	+	+	+	+	+
Sun visor	+	+	+	+	+
Stationary air-conditioning ²⁾	●	●	●	●	●
Left control console, folding	●	●	●	●	●



Equipment

	80 M	80 C	80 M HR	80 C HR	80 C Gantry
Boom lights, 2 pieces, LED	●	●	●	●	●
Stick lights, 2 pieces, LED	●	●	●	●	●
Boom shutoff (retract / extend), electronically	+	+	●	●	●
Equipment with electro-hydraulic end position control	●	●	●	●	●
AutoLift	+	+	+	+	+
Pressure warning mechanism hoist cylinder	●	●	●	●	●
ERC system	●	●	●	●	●
Filter system for attachment	+	+	+	+	+
Electronic lift limitation	+	+	+	+	+
Boom cylinder cushioning	●	●	●	●	●
Stick camera (with separate monitor), bottom side, with protection	+	+	+	+	+
Load torque limitation	+	+	+	+	+
Liebherr multi coupling system	+	+	+	+	+
Pipe fracture safety valves hoist cylinders	●	●	●	●	●
Pipe fracture safety valves stick cylinders	●	●	●	●	●
Quick coupling system MH 110B	+	+	+	+	+
Protection for piston rod, energy recovering cylinder	+	+	+	+	+
Protection for piston rods, hoist cylinder	+	+	+	+	+
Stick shutoff (retract), electronically	●	●	●	●	●
Stick shutoff (retract / extend), electronically	+	+	+	+	+
Retract stick without pressure	●	●	●	●	●
Sticks with quick coupling	+	+	+	+	+
Overload warning device	+	+	+	+	+



Complete machine

	80 M	80 C	80 M HR	80 C HR	80 C Gantry
Lubrication					
Lubrication undercarriage, manually - decentralised (grease points)	●				
Lubrication undercarriage, manually - centralised (one grease point)	+		●		
Central lubrication system for uppercarriage and equipment, automatically	●	●	●	●	●
Central lubrication system for undercarriage, automatically	+		+		
Centralised lubrication extended for attachment	+	+	+	+	+
Special coating					
Special coating, variants	+	+	+	+	+
Monitoring					
Rear view monitoring with camera	●	●	●	●	●
Side view monitoring with camera	●	●	●	●	●

● = Standard, + = Option, +³⁾ = on request

* = country-dependent, ¹⁾ not with electric drive, ²⁾ only with electric drive

Options and / or special equipment, supplied by vendors other than Liebherr, are only to be installed with the knowledge and approval of Liebherr in order to retain warranty.

The Liebherr Group



Global and independent: more than 70 years of success

Liebherr was founded in 1949 when, with the development of the world's first mobile tower crane, Hans Liebherr laid the foundations for a family business now employing nearly 51,000 people and comprising over 140 companies across every continent.

The parent company is Liebherr-International AG in Bulle, Switzerland, whose associates are exclusively members of the Liebherr family.

Leaders and pioneers

Liebherr is a pioneer and its forward-looking approach has seen it make important contributions to technology history over a wide variety of industries. Employees throughout the world continue to share the courage of the founder, sharing a passion to produce innovative products and a determination to provide world-leading equipment and machinery.

Diversified portfolio

The company is one of the world's biggest construction equipment manufacturers and provides high-quality, user-oriented products and services to sectors including: earthmoving, material handling, deep foundations, mining, mobile and crawler cranes, tower cranes, concrete production and distribution, maritime cranes, aerospace and transportation, gear technology and automation, refrigeration and freezing, components and hotels.

Customised care

Liebherr solutions are characterised by precision, implementation and longevity. The company is committed to technological excellence and to providing customers with solutions that match their needs exactly. That customer focus does not end with delivery of a product but continues through a comprehensive range of back-up and support services.

www.liebherr.com

Liebherr-Hydraulikbagger GmbH

Liebherrstraße 12 • 88457 Kirchdorf/Iller, Germany • Phone +49 7354 80-0 • Fax +49 7354 80-72 94
info.lhb@liebherr.com • www.liebherr.com • www.facebook.com/LiebherrConstruction